

TERMSERIES TIA F10

Weidmüller Interface GmbH & Co. KG
 Klingenbergstraße 16
 D-32758 Detmold
 Germany
 Fon: +49 5231 1429-0
 Fax: +49 5231 14292083
 www.weidmueller.com



Extensive wiring efforts lead to high throughput times in electrical cabinet building. Thanks to our TERMSERIES interface adapter, you benefit from the speed of our plug-and-play solution.

To reduce wiring times, pre-assembled cables are used between the control system and the interface level, and are simply connected to the TERMSERIES adapter. This enables throughput times in electrical cabinet building to be significantly reduced.

Our pre-assembled plug-and-play solution with TERMSERIES interface adapter enables minimised wiring effort. The adapter has a universal fit and offers a genuine space advantage in interaction with the TERMSERIES products with identical contours.

Thanks to its symmetrical structure, the adapter can be connected to both TERMSERIES coil and contact connections. The use of positive- and negative-switching logic is also possible for the lower level thanks to the potential changeover switch.

General ordering data

Type	TIA F10
Order No.	1463520000
Version	TERMSERIES, Adapter, 10-pole plug according to DIN EN 60603-13, long locking lever, Number of signal paths: 8, Rated voltage : 24 V DC, Rated current (per signal path): 125 mA
GTIN (EAN)	4050118323535
Qty.	1 pc(s).

TERMSERIES TIA F10

Weidmüller Interface GmbH & Co. KG
 Klingenbergstraße 16
 D-32758 Detmold
 Germany
 Fon: +49 5231 1429-0
 Fax: +49 5231 14292083
 www.weidmueller.com

Technische Daten

Dimensions and weights

Width	51 mm	Width (inches)	2.008 inch
Height	43 mm	Height (inches)	1.693 inch
Depth	62 mm	Depth (inches)	2.441 inch
Net weight	49.35 g		

Temperatures

Humidity	5...95% (indoor), $T_u = 40^\circ\text{C}$, no condensation	Operating temperature	-40 °C...60 °C
Storage temperature	-40 °C...85 °C		

Supply

Supply voltage	24 V DC \pm 20 %	Status display	Green LED
----------------	--------------------	----------------	-----------

Signals

Current (per signal path), max.	1 A	Number of signal paths	8
Rated current (per signal path)	125 mA	Rated voltage	24 V DC
Total current of all signals, max.	1 A	Voltage, max.	30 V DC

General data

UL 94 flammability rating	V-0
---------------------------	-----

Insulation coordination

Rated voltage	32 V	Pollution severity	2
Surge voltage category	III	Impulse withstand voltage	1.5 kV
Protection degree	IP20 in installed state		

Further details of approvals / standards

Certificate No. (GERMLLOYD)	47053-12	Certificate no. (cULus)	E141197
-----------------------------	----------	-------------------------	---------

Connection data (supply)

Wire connection method	PUSH IN	Number of terminals	4 (+,+, -, -)
Clamping range, rated connection, min.	0.13 mm ²	Clamping range, rated connection, max.	1.5 mm ²
Blade size (supply)	0.6 x 3.5 mm		

Connection data (signal)

Plug type	10-pole plug according to DIN EN 60603-13, long locking lever
-----------	---

Classifications

ETIM 5.0	EC002586	ETIM 6.0	EC002780
eClass 6.2	27-24-22-02	eClass 7.1	27-37-92-08
eClass 8.1	27-37-92-08	eClass 9.0	27-37-16-92
eClass 9.1	27-14-11-52		

**TERMSERIES
TIA F10**

Weidmüller Interface GmbH & Co. KG
Klingenbergstraße 16
D-32758 Detmold
Germany
Fon: +49 5231 1429-0
Fax: +49 5231 14292083
www.weidmueller.com

Technische Daten**Product information**

Descriptive text ordering data Suitable for 6.4 mm wide TERMSERIES base

Approvals

Approvals

**Downloads**

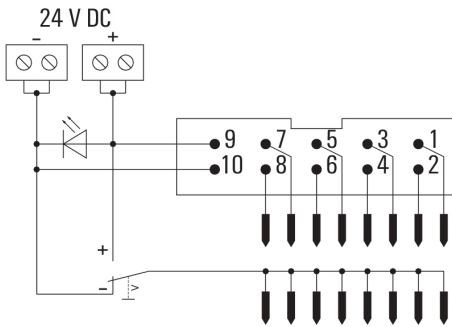
Approval/Certificate/Document of Conformity	DE_PA5600_160331_001.pdf
Brochure/Catalogue	CAT 4.5 ELECTR 16/17 EN CAT 4.2 ELECTR 15/16 EN
Engineering Data	EPLAN, WSCAD
User Documentation	1477400000.pdf

**TERMSERIES
TIA F10**

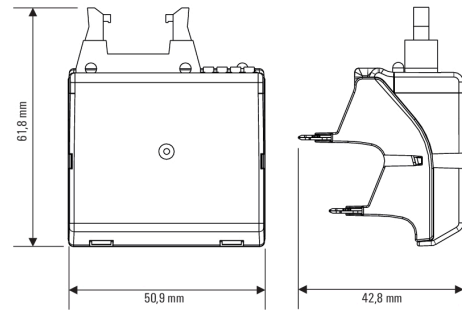
Weidmüller Interface GmbH & Co. KG
 Klingenbergstraße 16
 D-32758 Detmold
 Germany
 Fon: +49 5231 1429-0
 Fax: +49 5231 14292083
 www.weidmueller.com

Zeichnungen

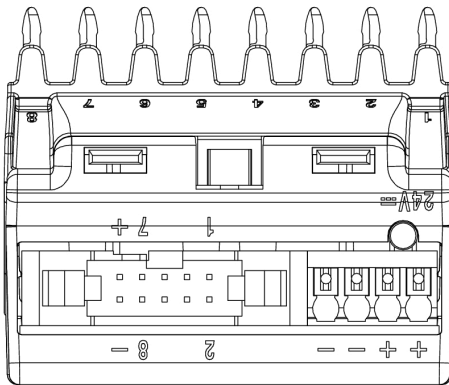
Wiring diagram



Dimensional drawing

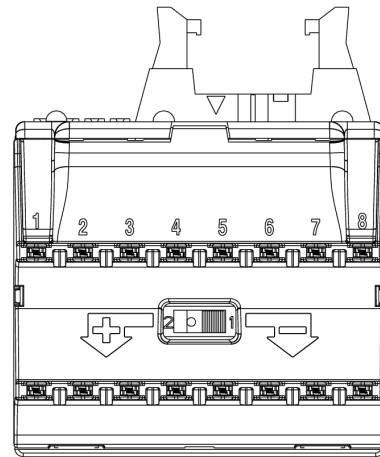


Detailed drawing



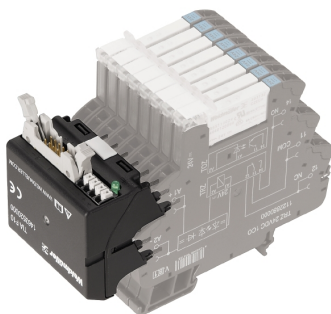
Top view

Detailed drawing



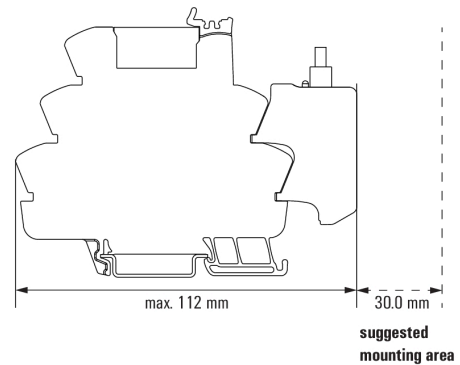
Front view

Example of use



Detailed drawing

**Mounting adapter on input
of TERMSERIES socket**



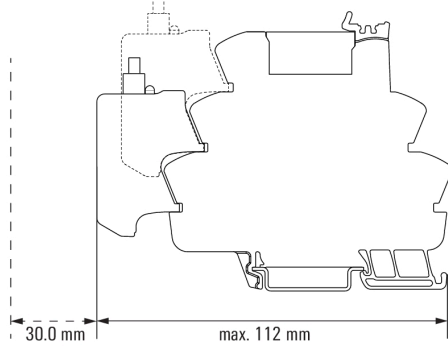
Mounting of the adapter on the input
side of the TERMSERIES socket

**TERMSERIES
TIA F10**

Weidmüller Interface GmbH & Co. KG
Klingenbergstraße 16
D-32758 Detmold
Germany
Fon: +49 5231 1429-0
Fax: +49 5231 14292083
www.weidmueller.com

Zeichnungen**Detailed drawing**

**Mounting adapter on output
of TERMSERIES socket**



30.0 mm
suggested
mounting area
Mounting of the adapter on the output
side of the TERMSERIES socket