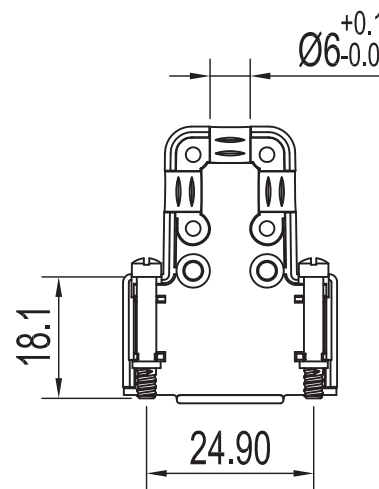
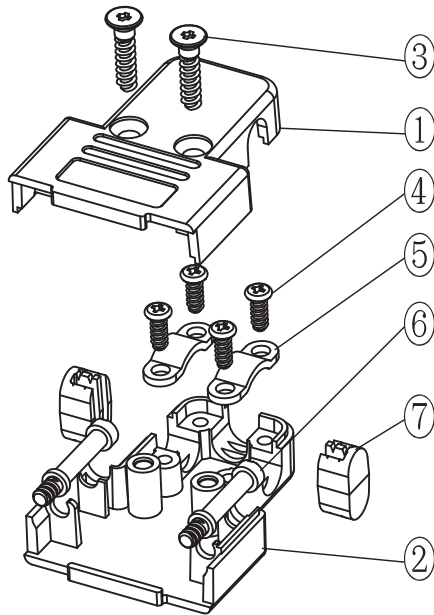
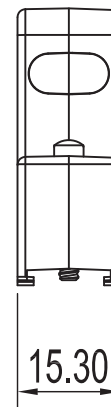
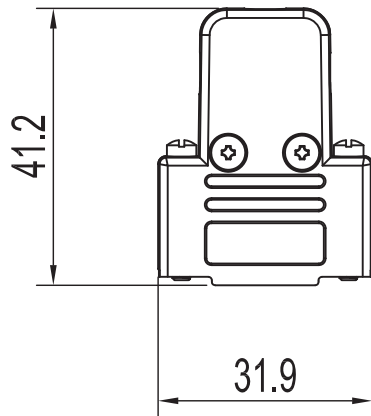


No.	Changes and/or Note No.	Date	Intr	No	Changes and/or Note No.	Date	Intr



Part Number:	Description:	Pack:	Item	QTY	Part description	
6550-0101-01	TRI09-P-K	Kit	1	1	TRI09-Upper cover	
			2	1	TRI09-Lower cover	
6551-0101-01	TRI09-P	Bulk	3	2	GB/T 846 ST2.9x13 self Tapping screw	
			4	4	GB/T 845 ST2.2x6 self Tapping screw	
			5	2	Cable clamp	
			6	2	UNC 4-40X18.1 Jackscrew	
			7	2	Multi Large Blank D3-9 Blanking plug	
DATE: 2011-04-18	DRAWN: MRR	SCALE:	MATERIAL TYPE:		GENERAL TOLERANCES UNLESS OTHERWISE STATED LINEAR 0 ±0.20 0.0 ±0.15 0.00 ±0.10 ANGULAR ±0°30' ALL DIMENSIONS IN mm THIRD ANGLE PROJECTION	
APPROVED:		REPLACES:				
			TRI-P-SERIES			