

TERMSERIES TRZ 48VUC 1CO

Weidmüller Interface GmbH & Co. KG
 Klingenbergstraße 16
 D-32758 Detmold
 Germany
 Fon: +49 5231 1429-0
 Fax: +49 5231 14292083
 www.weidmueller.com



TERMSERIES relay module, complete modules consisting of

a relay and a base with AC/DC/UC coils, available in different versions:

- With screw and tension-clamp connection
- AgNi contact, optionally with hard gold-plated contacts
- 1 and 2 COs
- Optionally with multiple-voltage input: 24...230 V UC
- With various protective circuits in the input (free-wheel diode, RC element)
- Illuminated ejection lever

General ordering data

| | |
|------------|---|
| Type | TRZ 48VUC 1CO |
| Order No. | 1122900000 |
| Version | TERMSERIES, Relay module, No. of contacts: 1 CO contact AgNi, Rated control voltage: 48 V UC $\pm 10\%$, Continuous current: 6 A, Tension clamp connection |
| GTIN (EAN) | 4032248904877 |
| Qty. | 10 pc(s). |

TERMSERIES TRZ 48VUC 1CO

Weidmüller Interface GmbH & Co. KG
 Klingenbergstraße 16
 D-32758 Detmold
 Germany
 Fon: +49 5231 1429-0
 Fax: +49 5231 14292083
 www.weidmueller.com

Technische Daten

Dimensions and weights

| | | | |
|------------|---------|-----------------|------------|
| Width | 6.4 mm | Width (inches) | 0.252 inch |
| Height | 90.5 mm | Height (inches) | 3.563 inch |
| Depth | 87.8 mm | Depth (inches) | 3.457 inch |
| Net weight | 32.1 g | | |

Temperatures

| | | | |
|---------------------|---|-----------------------|----------------|
| Humidity | 5–95% rel. humidity, $T_u = 40^\circ\text{C}$, no condensation | Operating temperature | -40 °C...60 °C |
| Storage temperature | -40 °C...85 °C | | |

Input

| | | | |
|--|----------------------------------|---------------------------------------|--|
| Rated control voltage | 48 V UC \pm 10 % | Rated current AC | 8 mA |
| Rated current DC | 7 mA | Power rating | 240 mVA / 192 mW |
| Pull-in/drop-out voltage, typ. | 32 V / 9 V AC 33 V / 8.5 V DC | Pull-in/drop-out current, typ. | 5.3 mA / 1.2 mA AC 4.5 mA / 0.8 mA DC |
| Status indicator | Green LED | Protective circuit | Rectifier |
| Coil voltage of the replacement relay deviating from the rated control voltage | Yes | Coil voltage of the replacement relay | 24 V DC |

Output

| | | | |
|---|--------------|---|---|
| Rated switching voltage | 250 V AC | Max. switching voltage, AC | 250 V |
| Max. switching voltage, DC | 250 V | Continuous current | 6 A |
| Inrush current | 20 A / 20 ms | AC switching capacity (resistive), max. | 1500 VA |
| DC switching capacity (resistive), max. | 144 W @ 24 V | Switch-on delay | \leq 9 ms |
| Switch-off delay | < 25 ms | Min. switching power | 1 mA @ 24 V, 10 mA @ 12 V, 100 mA @ 5 V |
| Max. switching frequency at rated load | 0.1 Hz | | |

Contact data

| | | | |
|--------------|---------------------|-------------------------|----------------------------------|
| Contact type | 1 CO contact (AgNi) | Mechanical service life | 5×10^6 switching cycles |
|--------------|---------------------|-------------------------|----------------------------------|

General data

| | | | |
|--------------------------------------|-------|---------------------------|-----|
| Mounting rail | TS 35 | Test button | No |
| Mechanical switch position indicator | No | UL 94 flammability rating | V-0 |

Insulation coordination

| | | | |
|-------------------------------------|------------------------------|--|------------------------------|
| Rated voltage | 300 V | Creepage and clearance distance input – output | \geq 5.5 mm |
| Dielectric strength input – output | 4 kV _{eff} / 1 min. | Dielectric strength to mounting rail | 4 kV _{eff} / 1 min. |
| Dielectric strength of open contact | 1 kV _{eff} / 1 min | Impulse withstand voltage | 6 kV (1.2/50 μ s) |
| Protection degree | IP20 | Pollution severity | 2 |
| Surge voltage category | III | | |

Further details of approvals / standards

| | | | |
|-------------------------|--|-----------------------------|----------|
| Standards | EN 50178, EN 55011, EN 61000-6-1, 2, 4 | Certificate No. (GERMLLOYD) | 47053-12 |
| Certificate no. (cULus) | E141197 | | |

TERMSERIES TRZ 48VUC 1CO

Weidmüller Interface GmbH & Co. KG
 Klingenbergstraße 16
 D-32758 Detmold
 Germany
 Fon: +49 5231 1429-0
 Fax: +49 5231 14292083
 www.weidmueller.com

Technische Daten

Connection data

| | | | |
|---|--------------------------|---|----------------------|
| Wire connection method | Tension clamp connection | Stripping length, rated connection | 8 mm |
| Clamping range, rated connection | 1.5 mm ² | Clamping range, rated connection, min. | 0.14 mm ² |
| Clamping range, rated connection, max. | 2.5 mm ² | Wire connection cross section AWG, min. | AWG 26 |
| Wire connection cross section AWG, max. | AWG 14 | Wire cross-section, solid, min. | 0.14 mm ² |
| Wire cross-section, solid, max. | 2.5 mm ² | Wire connection cross-section, finely stranded, min. | 0.14 mm ² |
| Wire connection cross section, finely stranded, max. | 2.5 mm ² | Wire cross-section, finely stranded, min. (AWG) | AWG 26 |
| Wire cross-section, finely stranded, max. (AWG) | AWG 14 | Cross-section for connected conductor, finely stranded with wire-end ferrules and plastic collars DIN 46228/4, rated connection, min. | 0.14 mm ² |
| Wire connection cross-section, finely stranded with wire-end ferrules and plastic collars DIN 46228/4, rated connection, max. | 1.5 mm ² | Conductor cross-section, flexible, AEH (DIN 46228-1), min. | 0.14 mm ² |
| Conductor cross-section, flexible, AEH (DIN 46228-1), max. | 1.5 mm ² | Blade size | 0.6 x 3.5 mm |
| Gauge to IEC 60947-1 | A1, B1 | | |

Rated data UL

| | | |
|---|------------------------------------|---|
| Ambient temperature (operational), max. 60 °C | Connection cross-section AWG, min. | AWG 26 |
| Connection cross-section AWG, max. | Type of conductor | rigid copper conductor, flexible copper conductor |
| Pollution severity level | | 2 |

Classifications

| | | | |
|------------|-------------|------------|-------------|
| ETIM 5.0 | EC001437 | ETIM 6.0 | EC001437 |
| eClass 6.2 | 27-37-16-01 | eClass 7.1 | 27-37-16-01 |
| eClass 8.1 | 27-37-16-01 | eClass 9.0 | 27-37-16-01 |
| eClass 9.1 | 27-37-16-01 | | |

Product information

| | |
|---------------------------------|---|
| Descriptive text ordering data | Spare relay Type: RSS113024 Orderno.: 4060120000 |
| Descriptive text technical data | Accessories and dimensional drawings: refer to the TERMSERIES Accessories page. |

Approvals

Approvals



ROHS Conform

Datenblatt**TERMSERIES
TRZ 48VUC 1CO****Weidmüller Interface GmbH & Co. KG**
Klingenbergstraße 16
D-32758 Detmold
Germany
Fon: +49 5231 1429-0
Fax: +49 5231 14292083
www.weidmueller.com**Technische Daten****Downloads**

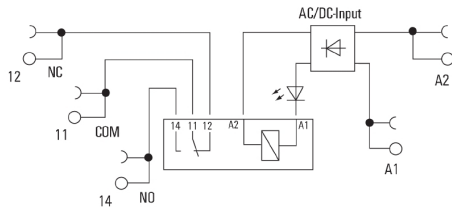
| | |
|---|--|
| Approval/Certificate/Document of Conformity | DE_PA5600_160229_001.pdf |
| Brochure/Catalogue | CAT 4.2 ELECTR 15/16 EN |
| Engineering Data | EPLAN, WSCAD, Zuken E3.S |
| User Documentation | Operating Instructions |

**TERMSERIES
TRZ 48VUC 1CO**

Weidmüller Interface GmbH & Co. KG
 Klingenbergstraße 16
 D-32758 Detmold
 Germany
 Fon: +49 5231 1429-0
 Fax: +49 5231 14292083
 www.weidmueller.com

Zeichnungen

Wiring diagram



Graph



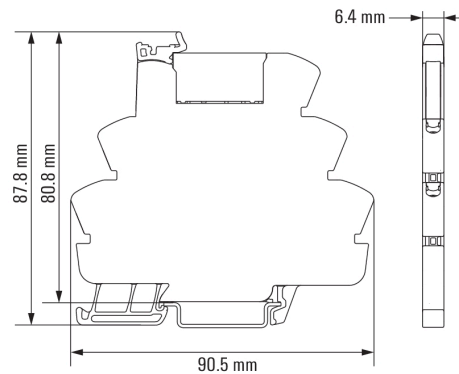
DC load limit curve

Electrical service life



230 V AC resistive load

Dimensioned drawing



**TERMSERIES
TRZ 48VUC 1CO**

Weidmüller Interface GmbH & Co. KG
 Klingenbergstraße 16
 D-32758 Detmold
 Germany
 Fon: +49 5231 1429-0
 Fax: +49 5231 14292083
 www.weidmueller.com

Zeichnungen

Type codes

