

## Embedded Solutions

# mSATA SSDs MSM360 & MSM360I mSATA mini



Fully compliant with mSATA specifications, Transcend’s mSATA MSM360 mini SSD combines ultra-compact dimensions with a high-bandwidth SATA III 6Gb/s interface, ideal for use in small form factor devices such as ultrabooks, industrial PCs, tablets, ultra-light notebooks, vehicle PCs, road surveillance recording devices, and other embedded storage applications.

Transcend also offers the MSM360I with wide temperature (-40°C ~ 85°C) capabilities to ensure sustained functionality, enhanced endurance and optimal reliability in mission-critical applications.

### Hardware Features

- Compliant with RoHS 2.0 standards
- Compliant with JEDEC MO-300B
- Promised operational reliability in a wide temperature range (from -40°C to 85°C)
- MLC NAND flash
- Supports Transcend Scope Pro software

### Firmware Features

- Advanced Global Wear-Leveling and Block management for reliability
- Advanced Garbage Collection
- Security Command
- Built-in BCH ECC (Error Correction Code) functionality
- Power-saving DevSleep (Device Sleep) mode

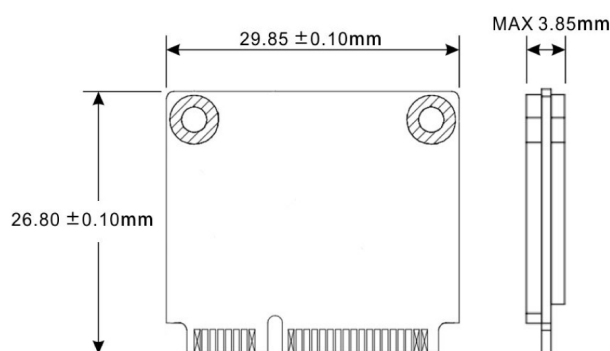
### Ordering Information

16GB	TS16GMSM360 TS16GMSM360I
32GB	TS32GMSM360 TS32GMSM360I
64GB	TS64GMSM360 TS64GMSM360I
128GB	TS128GMSM360 TS128GMSM360I

## Specifications

<b>Appearance</b>	Dimensions	26.8 mm x 29.85 mm x 3.85 mm (1.06" x 1.18" x 0.15")
	Weight	5 g (0.18 oz)
	mSATA Type	MO-300B
	Pin Count	52 pin
	Form Factor	mSATA
<b>Interface</b>	Bus Interface	SATA III 6Gb/s
<b>Storage</b>	Flash Type	MLC NAND flash
	Capacity	16 GB / 32 GB / 64 GB / 128 GB
<b>Operating Environment</b>	Operating Voltage	3.3V±5%
	Operating Temperature	Standard 0°C (32°F) ~ 70°C (158°F)
		Wide Temp. -40°C (-40°F) ~ 85°C (185°F)
	Storage Temperature	-40°C (-40°F) ~ 85°C (185°F)
	Humidity	5% ~ 95%
	Shock	1500 G, 0.5 ms, 3 axis
	Vibration (Operating)	20 G (peak-to-peak), 7 Hz ~ 2000 Hz (frequency)
<b>Power</b>	Power Consumption (Operation)	2.01 watt(s)
	Power Consumption (Sleep)	0.27 watt(s)
<b>Performance</b>	Sequential Read/Write (CrystalDiskMark, max.)	Read: up to 520 MB/s Write: up to 220 MB/s
	4K Random Read/Write (IOmeter, max.)	Read: up to 35,000 IOPS Write: up to 50,000 IOPS
	Mean Time Between Failures (MTBF)	2,500,000 hour(s)
	Terabytes Written (Max.)	168 TBW
	Drive Writes Per Day (DWPD)	1.19 (3 yrs)
<b>Warranty</b>	Certificate	CE / FCC / BSMI
	Warranty	Three-year Limited Warranty

## Mechanical Dimensions



Product specifications are subject to change without notice. Pictures shown may differ from actual products. Total accessible capacity varies depending on operating environment. Due to the complexity and variety of industrial applications, Transcend cannot guarantee 100% compatibility with all platforms and under all scenarios. For special applications and environments, it is strongly suggested that you contact Transcend beforehand for clarification.