

Reliable isolation transformers for energy applications

Tufvassons have a wide range of transformers and over fifty years' experience of making them ourselves. We offer supreme quality isolation transformers for permanent installation, installation on DIN rails and movable variants that are connected by a mains lead. You can choose the product yourself, or ask our personnel to guide you to the right power supply.



Optimum isolation and safe SELV, suits all environments

The transformer has been developed and adapted for general use where SELV voltage is stipulated. It provides the correct protective low voltage, 24V, and thereby guarantees the maximum possible safety. The product also has short-circuit and overload protection, as well as complying with the insurance companies' requirement for self-extinguishing plastic in the housing. Installation is easy: The transformer is connected to an ordinary wall socket, and 24V is connected to a terminal and secured with strain relief.

Type:	PFS 120A						
Part.no.:	6124-0118						
Input voltage:	230V, 50-60 Hz.						
Output voltage:	24V						
Rated power:	120VA (5A)						
Weight:	2 kg						
Encapsulation class:	IP40						
Insulation class:	4.2 kV						
Ambient temperature:	max 40°C						
Design:	<ul style="list-style-type: none"> · Transformer potted in hard-setting plastic, with grey encapsulation made from impact resistant, self extinguishing thermoplastics (V0). - Double insulated (earth connection not required). - Short circuit and overload protection with resettable 0.7 A primary overload circuit breaker. - Primary mains lead, 2 m with European (SCHUKO) plug. - Secondary 2-pole terminal for up to 4 mm² cable, max torque 0.5 Nm. - Secondary strain relief - Secondary cable entry gland with 3 steps for cable, max. dia. 14 mm. 						
Installation:	Free position or wall mounting with 3 screws. The two upper fixing holes are keyhole sockets.						
Manufacturing standard:	<table> <tr> <td>Security:</td> <td>EN 61558-1; EN 61558-2-6</td> </tr> <tr> <td>Emissions:</td> <td>EN 61 000-6-3; EN 61 000-6-4, IEC 62041</td> </tr> <tr> <td>Immunity:</td> <td>EN 61 000-6-1; EN 61 000-6-2, IEC 62041</td> </tr> </table>	Security:	EN 61558-1; EN 61558-2-6	Emissions:	EN 61 000-6-3; EN 61 000-6-4, IEC 62041	Immunity:	EN 61 000-6-1; EN 61 000-6-2, IEC 62041
Security:	EN 61558-1; EN 61558-2-6						
Emissions:	EN 61 000-6-3; EN 61 000-6-4, IEC 62041						
Immunity:	EN 61 000-6-1; EN 61 000-6-2, IEC 62041						



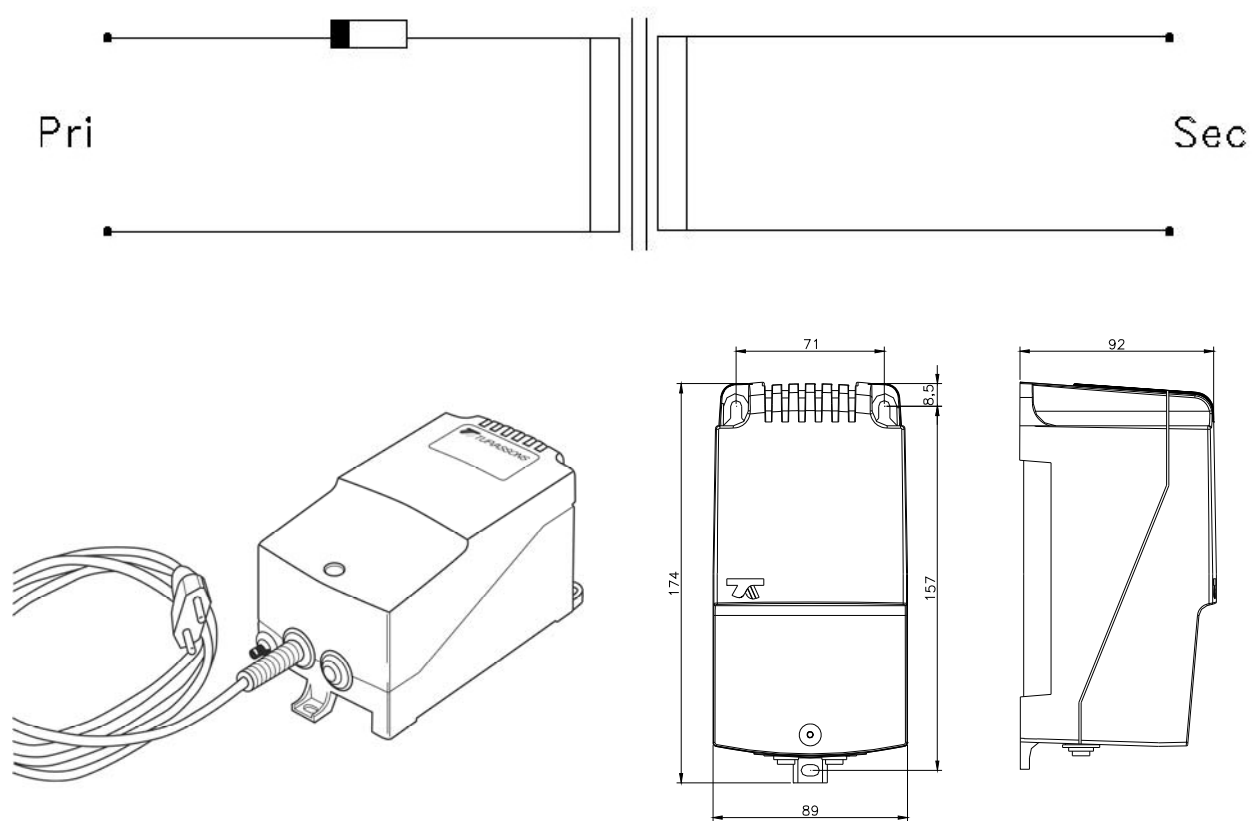
06/12



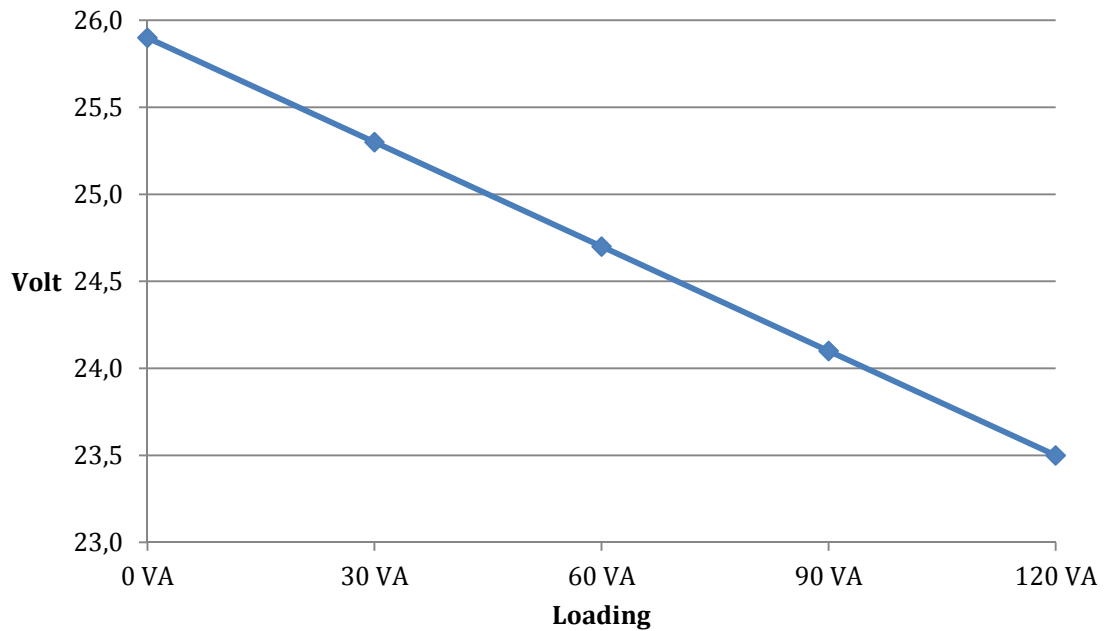
Tufvassons Transformator AB · Märstavägen 20 · 193 40 Sigtuna · Phone +46 (0) 8 594 809 00
Fax +46 (0) 8 592 52 768 · E-mail reception@tufvassons.se · www.tufvassons.se

A company in the ADDTECH group.

Wiring schedule and product illustration



Loading diagram



06/12

Tufvassons Transformator AB · Märstavägen 20 · 193 40 Sigtuna · Phone +46 (0) 8 594 809 00
 Fax +46 (0) 8 592 52 768 · E-mail reception@tufvassons.se · www.tufvassons.se

A company in the ADDTECH group.