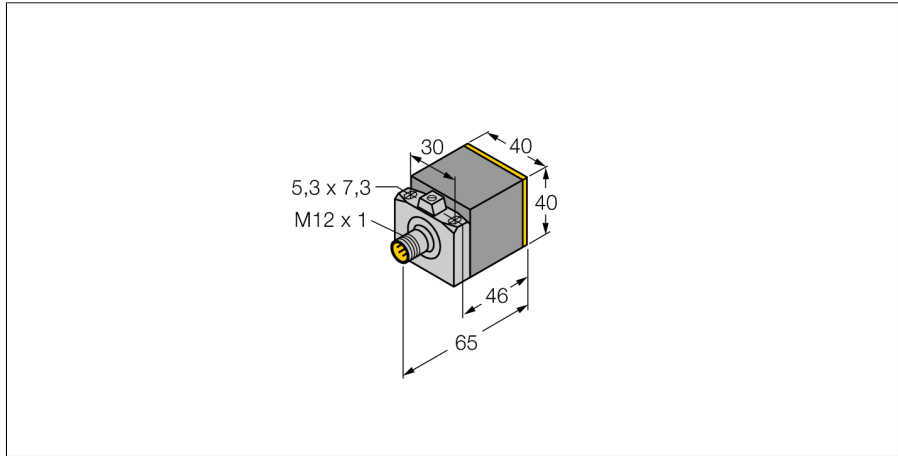
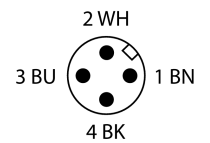
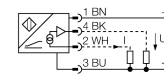


Inductive sensor
With analog output
NI25-CK40-LIU-H1141



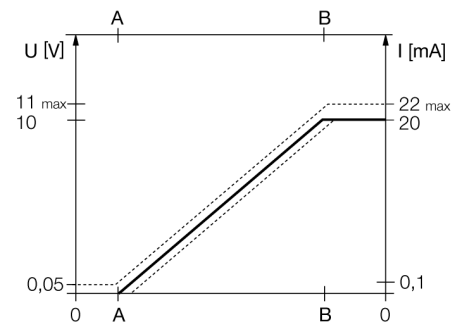
- Rectangular, height 40 mm
- Variable orientation of active face in 5 directions
- Plastic, PBT-GF30-V0
- 4-wire, 15...30 VDC
- Analog output
- 0...10 V and 0...20 mA
- M12 x 1 male connector

Wiring Diagram



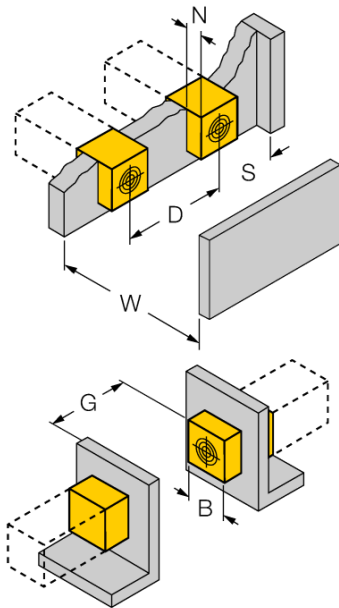
| | |
|---|--|
| Type designation | NI25-CK40-LIU-H1141 |
| Ident no. | 1537802 |
| Measuring range | 5...25 mm mm |
| Mounting conditions | Non-flush |
| Correction factors | St37 = 1; Al = 0.3; stainless steel = 0.7; Ms = 0.4 |
| Repeatability | ≤ 1 % of measuring range A - B |
| | ≤ 0.5 %, after warm-up 0.5 h |
| Reproducibility | ≤ 200 μm |
| | ≤ 100 μm, after a warm-up time of 0.5 h |
| Linearity deviation | ≤ 5 % |
| Temperature drift | ≤ ± 0.06 % / K |
| Ambient temperature | -25...+70 °C |
| Operating voltage | 15...30 VDC |
| Residual ripple | ≤ 10 % U _{ss} |
| No-load current I ₀ | ≤ 8 mA |
| Isolation test voltage | ≤ 0.5 kV |
| Short-circuit protection | yes |
| Wire breakage/Reverse polarity protection | no/ Complete |
| Output function | 4-wire, Analog output |
| Voltage output | 0...10V |
| Current output | 0...20 mA |
| Load resistance voltage output | ≥ 4.7 kΩ |
| Load resistance, current output | ≤ 0.4 kΩ |
| Measuring sequence frequency | 30 Hz |
| Design | Rectangular,CK40 |
| Dimensions | 65 x 40 x 40 mm variable orientation of active face in 5 directions |
| Housing material | Plastic, PBT-GF20-V0, Black |
| Active area material | Plastic, PA12-GF30, yellow |
| Electrical connection | Connectors, M12 x 1 |
| Vibration resistance | 55 Hz (1 mm) |
| Shock resistance | 30 g (11 ms) |
| Protection class | IP67 |
| MTTF | 751 years acc. to SN 29500 (Ed. 99) 40 °C |
| Included in delivery | BS1-CK40 |

Measuring Range



Inductive sensor
With analog output
NI25-CK40-LIU-H1141

| | |
|---------------------|--------|
| Distance D | 120 mm |
| Distance W | 75 mm |
| Distance S | 120 mm |
| Distance G | 150 mm |
| Distance N | 40 mm |
| <hr/> | |
| Width active area B | 40 mm |



**Inductive sensor
With analog output
NI25-CK40-LIU-H1141**

Accessories

| Type code | Ident no. | Description | |
|------------|-----------|---|--|
| IM43-13-SR | 7540041 | Trip amplifier; 1-channel; input 0/4...20 mA or 0/2...10 V; supply of 2- or 3-wire transmitters/sensors; limit value adjustment via teach button; three relay outputs with one NO contact each; removable terminal blocks; 27 mm wide; universal voltage supply 20...250 VUC; further Limit value indicators are described in our "Interface Technology" catalog. | |
| BSS-CP40 | 6901318 | Mounting bracket for rectangular devices; material: Polypropylene | |