

# UNIT TypeC2Grove

SKU:U151



## Description

**UNIT TypeC2Grove** is one Grove hub Unit with **USB TypeC 5V DC** input. Powered through USB-C port, the first channel is Singal Input, the second and third channels are Power and Singal Output. Applied for the Units which need external 5V DC power.

## Included

- 1x TypeC2Grove Unit
- 1x HY2.0-4P Cable (20cm)

## Application

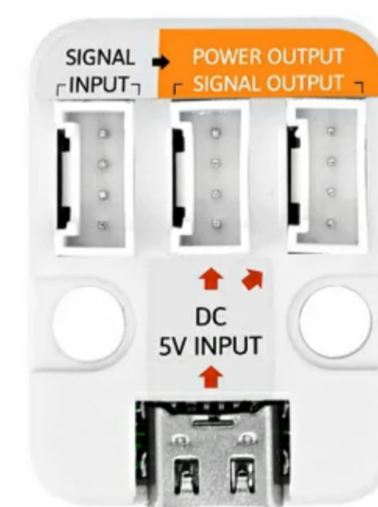
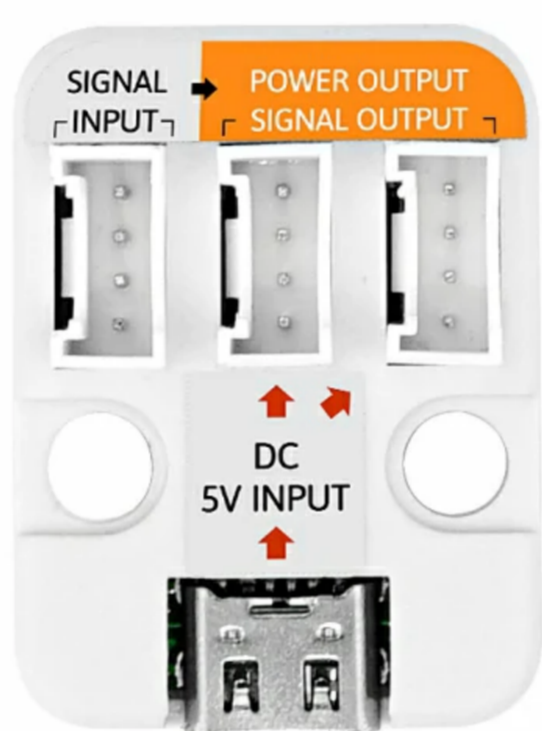
- RGB LED Unit power-up
- Sensor power-up
- Actuator power-up
- DIY

## Specifications

Spec

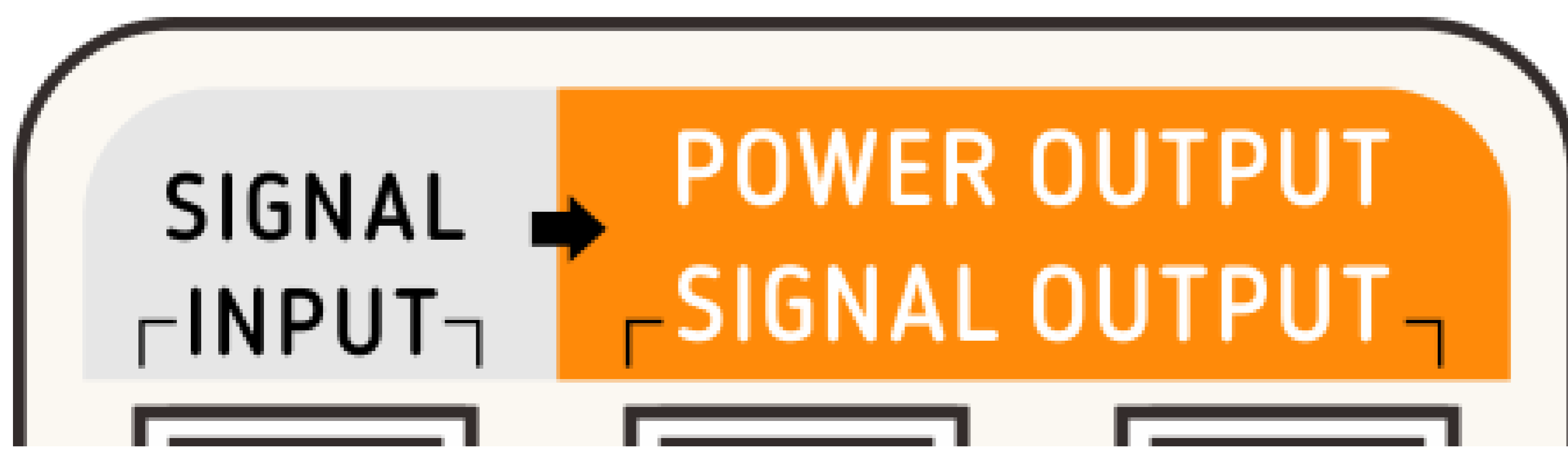
Parameters

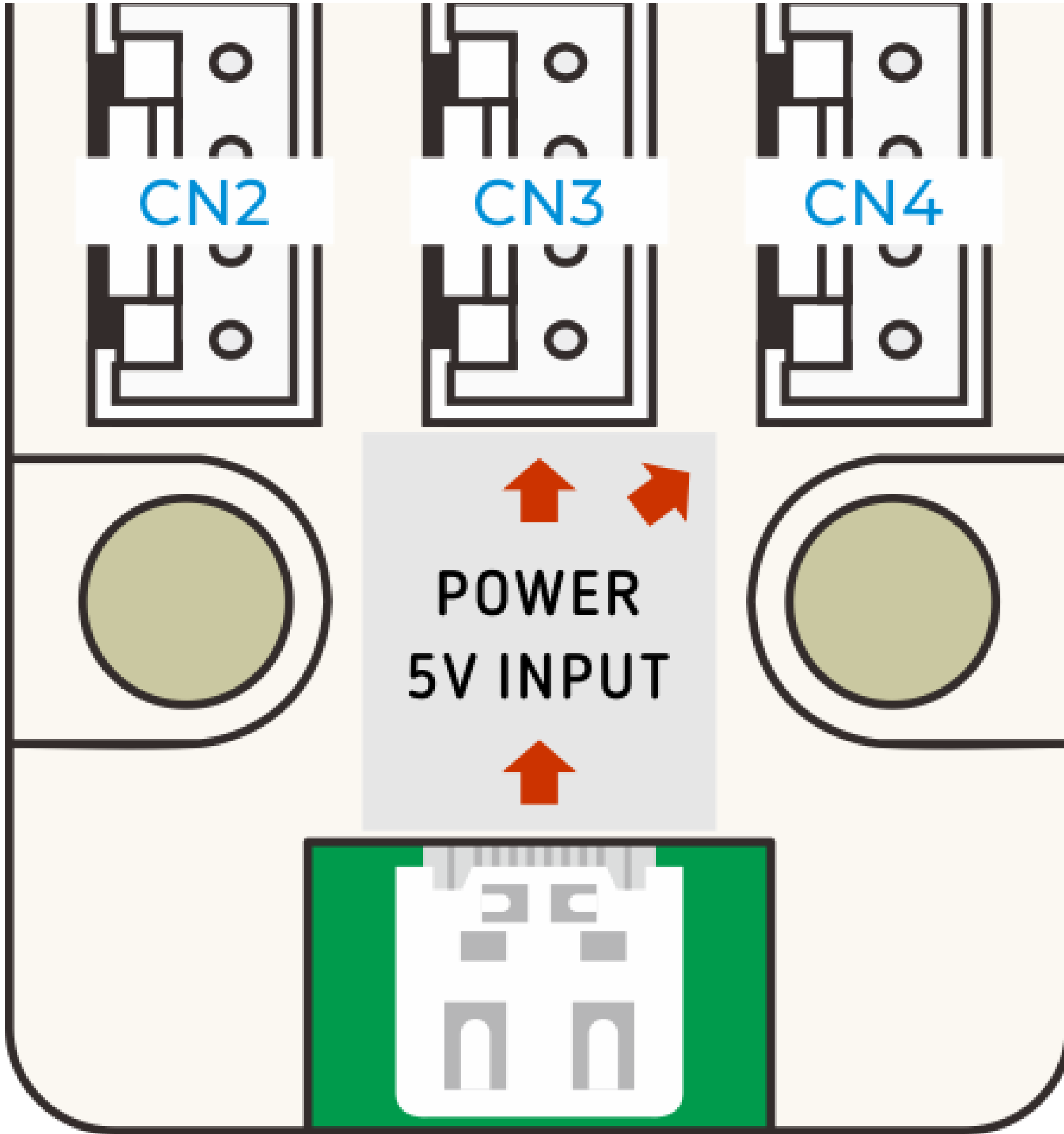
Power Supply	MAX 5V@3A
Net Weight	4.9g
Gross Weight	10.7g
Product Size	32*24*12mm
Package Size	136*92*13mm



## PinMap

PORT	WHITE	YELLOW	RED	BLACK
CN2	SCL/RX	SDA/TX	NULL	GND
CN3	SCL/RX	SDA/TX	+5V	GND
CN4	SCL/RX	SDA/TX	+5V	GND



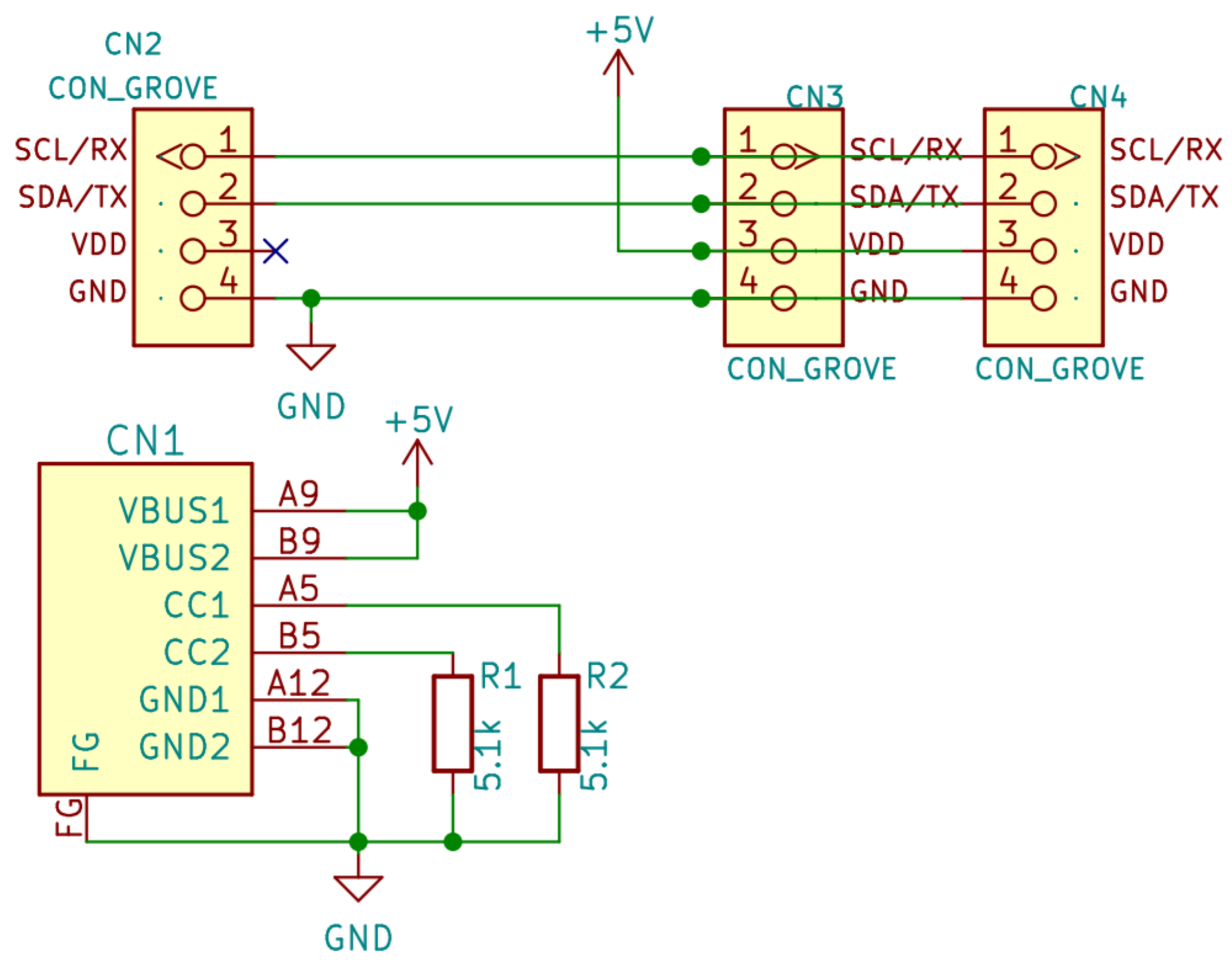


## | Schematic

---

Designed by [@akita](#)





## Size

