

MiniJoyC

SKU:U156



Description

MiniJoyC HAT is a 'joystick controller expansion base' used with M5StickC/C-Plus , which integrates XY axis joystick , 'with button' function, and comes with I2C HY2.0 standard interface to facilitate the expansion of other components; Containing 200mAh lithium polymer battery and one SK6812 RGB LED . This product can be used for remote control of drones or trolleys and remote control of robot joints, etc.

Features

- The maximum angle of the joystick in all directions is 23°
- The total resistance is 10KΩ
- Center button
- SK6812 programmable RGB LED
- 200mAh battery
- HY2.0-4P interface

Includes

- 1x MiniJoyC HAT
- 1x lanyard
- 1x 2.0mm hex key
- 2x M2*8mm screws (cup head, self-tapping)

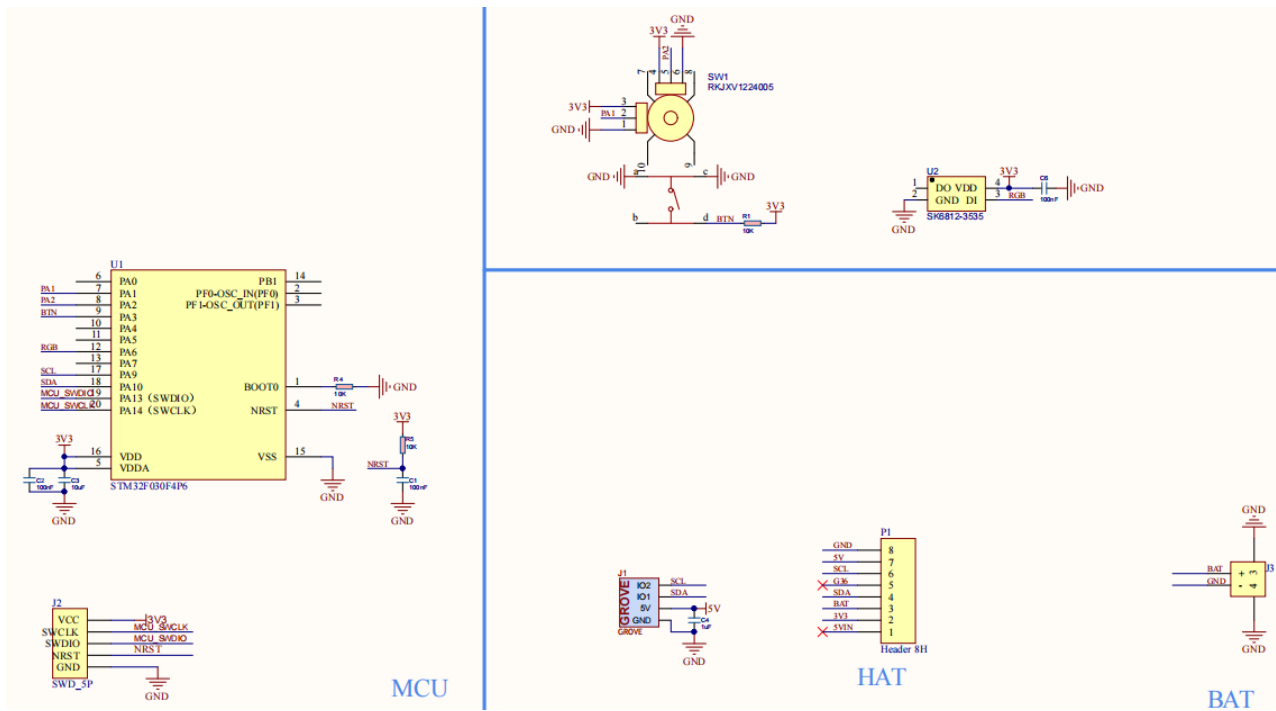
Applications

- Drone remote control
- Robotic joint control
- Light conditioner
- Remote control of the trolley

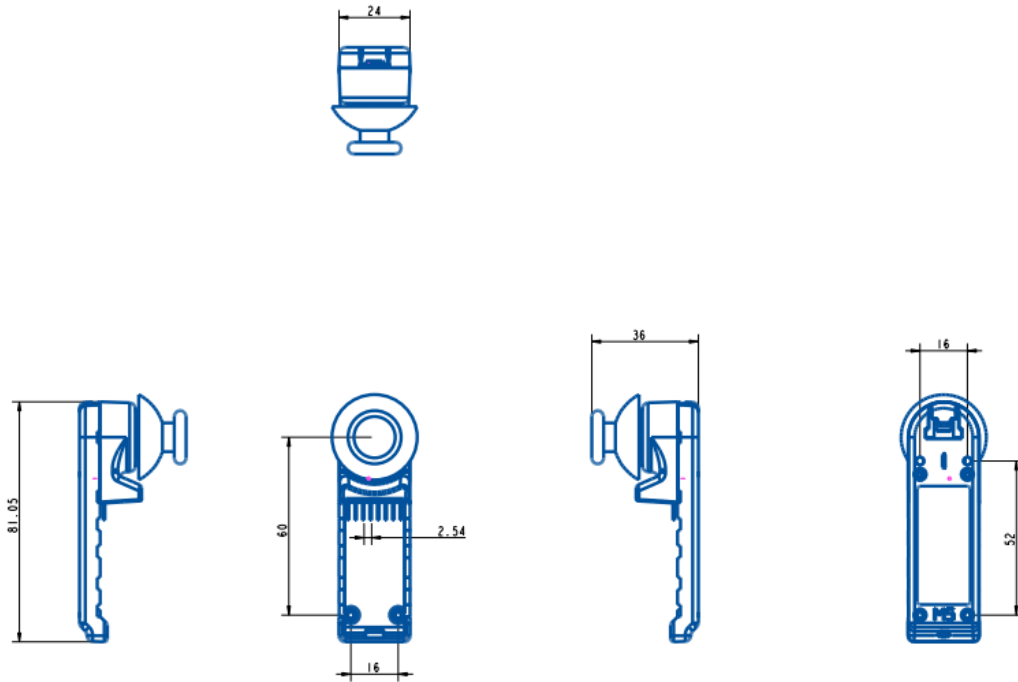
Specification

Resources	Parameters
MCU	STM32F030F4P6
RGB	SK6812-3535
support voltage	3.3V
Battery level	200mAh
Maximum angle of the joystick in all directions	23° max in all directions
Total resistance	10kΩ
Center button	yes
Product Size	81.05mm × 36mm × 24mm
Package Size	101mm × 27mm × 22mm
Product Weight	20.6g
Package Weight	31.2g

Schematic



Module Size



UNIT : mm



