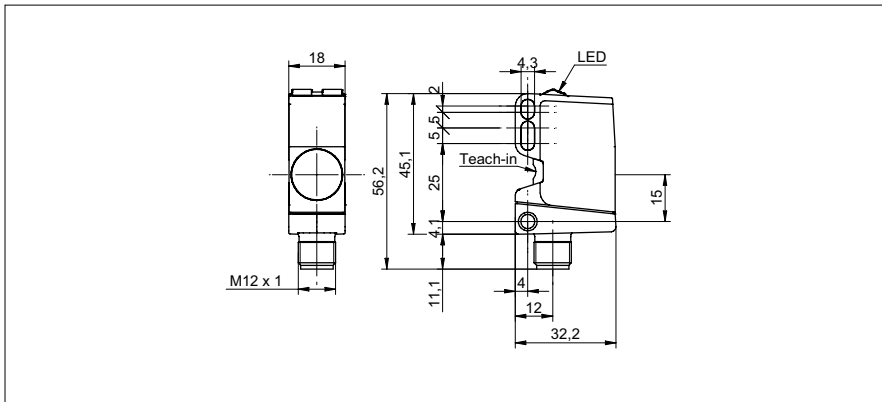


Ultrasonic proximity sensors

U500.PA0.2-11200633

dimension drawing



general data

special type	2 point proximity switch
scanning range Sd	70 ... 1000 mm
scanning range far limit Sde	70 ... 1000 mm
version	IO-Link dual channel
hysteresis typ.	4 % Sde
repeat accuracy	< 0,5 mm
temperature drift	< 2 % Sde
power-up drift	compensated after 15 min.
response time ton	< 40 ms
release time toff	< 40 ms
sonic frequency	200 kHz
adjustment	qTeach, line-Teach, IO-Link
output indicator	yellow LED / red LED
power on indication	LED green
alignment measuring axis	< 2°

electrical data

voltage supply range +Vs	12 ... 30 VDC
current consumption typ.	35 mA
output circuit	push-pull
output current	< 100 mA
voltage drop Vd	< 3,5 VDC
residual ripple	< 10 % Vs
short circuit protection	yes
reverse polarity protection	yes

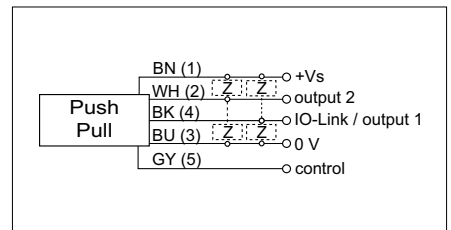
mechanical data

type	rectangular
housing material	plastic (ASA, PMMA)
coating active face	PEEK
width / diameter	18 mm
height / length	45 mm
depth	32 mm
connection types	connector M12 5 pin

photo



connection diagram



Ultrasonic proximity sensors

U500.PA0.2-11200633

ambient conditions

operating temperature	-25 ... +65 °C
storage temperature	-40 ... +75 °C
protection class	IP 67

communications interface

interface	IO-Link V1.1
baud rate	38,4 kBaud (COM 2)
cycle time	≥ 10 ms
process data length	32 Bit
process data structure	Bit 0 = SSC1 (distance) Bit 1 = SSC2 (distance) Bit 2 = quality Bit 3 = alarm Bit 5 = SSC4 (counter) Bit 8-15 = scale factor Bit 16-47 = 32 Bit measurement

IO-Link port type Class A

additional data
 distance
 excess gain
 operating cycles
 operating hours
 boot cycles
 operating voltage
 device temperature
 histograms

adjustable parameters
 time filters
 LED status indicators
 output logic
 output circuit
 counter
 beam forming
 function of pin 5
 deactivate the sensor element
 Find Me function

typical sonic cone profile

