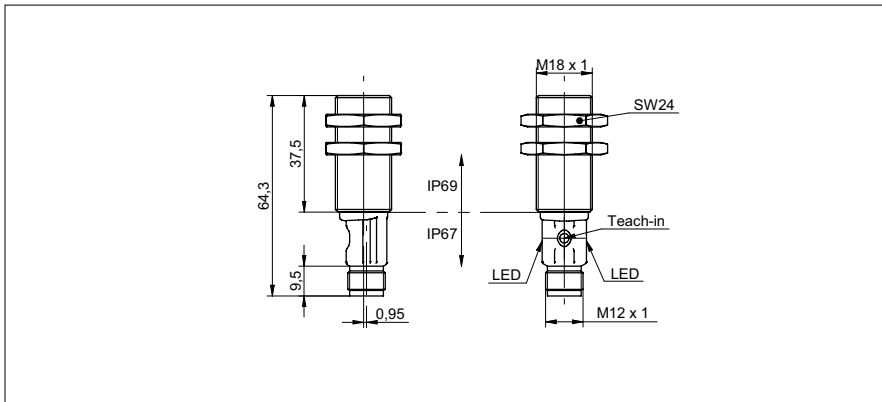


Ultrasonic proximity sensors

UR18.PA0.2-11200645

dimension drawing



general data

special type	2 point proximity switch
scanning range Sd	70 ... 1000 mm
scanning range far limit Sde	70 ... 1000 mm
version	IO-Link dual channel
hysteresis typ.	4 % Sde
repeat accuracy	< 0,5 mm
temperature drift	< 2 % Sde
power-up drift	compensated after 15 min.
response time ton	< 40 ms
release time toff	< 40 ms
sonic frequency	200 kHz
adjustment	qTeach, line-Teach, IO-Link
alignment aid	light indicator flashing
output indicator	yellow LED / red LED
power on indication	LED green
alignment measuring axis	< 2°

electrical data

voltage supply range +Vs	12 ... 30 VDC
current consumption typ.	35 mA
output circuit	push-pull
output current	< 100 mA
voltage drop Vd	< 3,5 VDC
residual ripple	< 10 % Vs
short circuit protection	yes
reverse polarity protection	yes

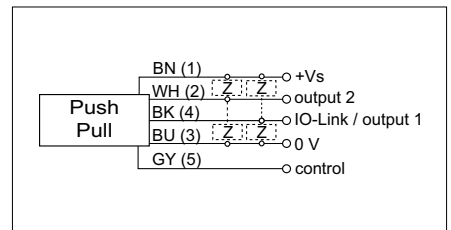
mechanical data

type	cylindrical threaded
housing material	stainless steel (V2A) / TR90
coating active face	PEEK
width / diameter	18 mm
height / length	64 mm
connection types	connector M12 5 pin

photo



connection diagram



Ultrasonic proximity sensors

UR18.PA0.2-11200645

ambient conditions

operating temperature	-25 ... +65 °C
storage temperature	-40 ... +75 °C
protection class	IP 67/69

communications interface

interface	IO-Link V1.1
baud rate	38,4 kBaud (COM 2)
cycle time	≥ 12 ms
process data length	32 Bit
process data structure	Bit 0 = SSC1 (distance) Bit 1 = SSC2 (distance) Bit 2 = quality Bit 3 = alarm Bit 5 = SSC4 (counter) Bit 8-15 = scale factor Bit 16-47 = 32 Bit measurement

IO-Link port type: Class A

additional data: distance, excess gain, operating cycles, operating hours, boot cycles, operating voltage, device temperature, histograms

adjustable parameters: time filters, LED status indicators, output logic, output circuit, counter, beam forming, function of pin 5, deactivate the sensor element, Find Me function

typical sonic cone profile

