

# 2-Port 4K DisplayPort USB-C KVM Dock Switch with Power Pass-through

## US3311

Built to deliver easy control and seamless switching between dual USB-C hosts, the US3311 is a 2-in-1 solution combining a KVM switch and a multiport dock with 4 x USB Type-A ports, 1 x DisplayPort, 1 x USB-C PD input, and 1 x DC jack input. Quick switching from one laptop to the other is made easy through one press of the dedicated port switch button, enabling use of the same USB peripherals and a single DisplayPort monitor for two host devices. Work efficiency is boosted without the need to switch workstations or unplug peripherals.

Other highlights include video resolution support for up to 4K (3840 x 2160) @ 60 Hz, ensuring that every video detail is displayed in crisp UHD quality. The US3311 is a 4-port USB 3.2 Gen 1 Type-A hub with up to 5 Gbps data transfer rates while supporting high-speed downstream devices. Furthermore, the Power Delivery 3.0 technology enables charging of the host device with up to 100 W, allowing your laptop to obtain the maximum power via your USB-C power adapter. The US3311 helps save valuable desk space and expands the functionality and connectivity of your Mac laptops, creating an ultra-powerful USB-C workstation.

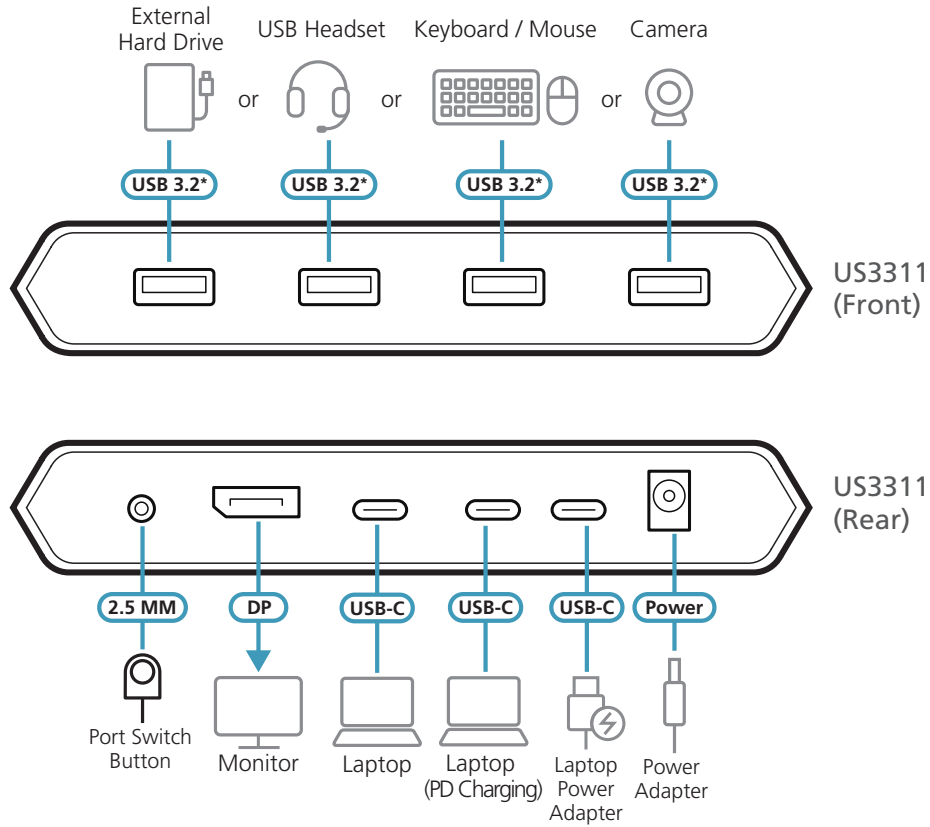


Front View



Rear View





\*The indicated ports are USB 3.2 Gen 1 compliant.

## Features

- 2-in-1 solution for 2 USB-C host devices – combines a KVM switch and a multiport dock with 4 x USB 3.2 Gen 1 Type-A ports, 1 x DisplayPort, 1 x USB-C PD input, and 1 x DC jack input
- Superior video quality – up to True 4K (3840 X 2160 @ 60 Hz)
- ATEN Video DynaSync™ Technology - eliminates boot-up display problems and optimizes resolutions when switching among video sources
- USB 3.2 Gen 1 compliant
- Up to 5 Gbps data transfer rates
- Supports DP 1.4 Alt Mode
- Supports PD 3.0 up to 100 W USB PD charging - allows your laptop to obtain the maximum power via your USB-C power adapter
- Host devices can be selected with the included port switch button or the hotkeys set via ATEN KVM Utility app
- Plug-and-Play – no drivers needed

## Specifications

US3311	
Computer Connections	2
<b>Connectors</b>	
Computer	CPU 1: 1 x USB-C Female CPU 2: 1 x USB-C Female
Device	4 x USB 3.2 Gen 1 Type-A Female
Video Output	1 x DisplayPort Female
Power	1 x DC jack for 12V, 3.3A 1 x USB-C Female* Port 1: Supports USB-C PD laptop charging at 5V, 9V, 15V, 20V output* Port 2: Supports max. 5V, 3A output  *Supports maximum 100 W USB-C PD power adapter input. *For device charging, a Limited Power Source (LPS) certified single-port USB-C PD Power Adapter over 65 W is recommended. The minimum system power requirement for basic USB functions and video output should be at least 5V, 3A.
<b>Port Selection</b>	
Input	Port Switch Button
Video Resolution	Up to 3840 x 2160 @ 60 Hz
System Requirements	<ul style="list-style-type: none"> <li>• Windows 10 and above, USB-C enabled computer with DP Alt Mode*</li> <li>* With Intel 7th-Generation Core Processor (Kaby-Lake) and above. More info about CPU generation, please visit: <a href="https://www.intel.com/content/www/us/en/processors/processor-numbers.html">https://www.intel.com/content/www/us/en/processors/processor-numbers.html</a></li> <li>• macOS X 10.12 and later, USB-C enabled computer</li> <li>• Android 8.0 and later, USB-C enabled Smartphone with DP Alt Mode**</li> <li>** Only Samsung and Huawei support PC-like operation. Others only support mirror mode. For the list of supporting mobile device, please refer to US3311's user manual.</li> <li>• iPadOS 13.1 and later, iPad Pro (USB-C)*</li> <li>* Support video output in mirror mode</li> </ul>
<b>Power</b>	
Maximum Input Power Rating	DC 12 V, 3.3 A
Power Consumption	DC 12V:1.68W
<b>LEDs</b>	
Selected	2 (White)
<b>Environmental</b>	
Operating Temperature	0 - 40°C
Storage Temperature	-20 - 60°C
Humidity	0 - 80% RH, Non-condensing
<b>Physical Properties</b>	
Housing	Aluminum
Weight	0.35 kg
Dimensions (L x W x H)	14.3 x 11.9 x 2.38 cm

