

UTC-515

15.6" Ubiquitous Touch Computer UTC-515G with Intel® Pentium® N4200 UTC-515F with Intel® Core™ i3-6100U UTC-515E with Intel® Core™ i5-4300U

NEW



DeviceOn/iService

Features

- Low power and fanless system design
- Built-in Intel® Pentium® N4200 (UTC-515G)
- Built-in Intel® Core™ i3-6100U (UTC-515F)
- Built-in Intel® Core™ i5-4300U (UTC-515E)
- 15.6" monitor with 16:9 widescreen display
- IP65-rated front panel for water and dust resistance
- All in one aluminum extrusion design
- Supports both landscape and portrait screen orientations
- VESA 100 mm standard mounting holes for varied mounting demands
- Side groove design for flexible peripheral installation
- Equipped with DeviceOn/iServices software for remote device management



Introduction

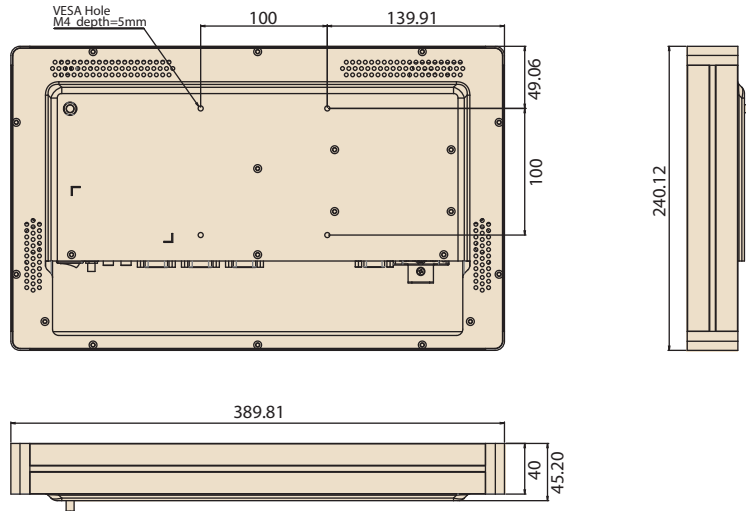
UTC-515 features an all-in-one computing system equipped with wide format, touch based LCD panel. It is easy to integrate key peripherals and display systems for diversified self-service and interactive signage deploy in different application areas. The systems deliver updated information with well-designed interactive interfaces, fully ensure relevant content and targeted promotions are delivered. UTC series touch panel computers are the best investments to enhance user satisfaction, further brand equity, and maximize business profits. Advantech's DeviceOn/iService is a next-generation unified device management solution based on the WISE-DeviceOn platform.

Specifications

Processor System	CPU	Intel® Pentium® N4200 (UTC-515G)	Intel® Core™ i3-6100U (UTC-515F) Intel® Core™ i5-6300U (Available)* Intel® Core™ i7-6600U (Available)*	Intel® Core™ i5-4300U (UTC-515E) Intel® Core™ i3-4010U (Available)* Intel® Celeron 2980U (Available)*
	Base Frequency	1.1 GHz (N4200/Quad-Core)	2.3 GHz (i3-6100U/Dual-Core) 3.0 GHz (i5-6300U/Dual-Core) 3.4 GHz (i7-6600U/Dual-Core)	1.9 GHz (Dual-Core)
	Cache	L2 Cache 2MB	L3 Cache 3MB	L3 Cache 3MB
	Memory	1 x 204 pin SO-DIMM DDR3L 1867 MHz up to 8GB	2 x 204 pin SO-DIMM DDR3L 1600 MHz up to 16GB	1 x 204 pin SO-DIMM DDR3L 1333 / 1600 MHz up to 8 GB
	HDD	1 x 2.5 internal SATA HDD bay		
	Network (LAN)	2 x Gigabit Ethernet ports (Supports Wake on LAN) 2 x RS-232 COM (RS-422/485)* 2 x USB 2.0 / 2 x USB 3.0 2 x Gigabit Ethernet (RJ-45)		
	I/O ports	1 x VGA 1 x HDMI Audio Line-out x 1, Mic-in x 1		
	Stereo Speaker	1 W x 2		
	Bus expansion	Full-size MiniPCIe / M.2	Full-size MiniPCIe / mSATA	
	Mounting	VESA 100 x 100 mm		
Dimensions (W x H x D)	389.81 x 240.12 x 45.20 (mm)			
Weight	4.85 kg (10.67 lb)			
OS Support		Win 10 IoT Enterprise Android 10 Linux Ubuntu 18.04	Windows Pro Embedded 7 SP1 64bit Win 10 IoT Enterprise Linux Ubuntu 16.04	Windows Pro Embedded 7 SP1 64bit Win 10 IoT Enterprise Linux Ubuntu 16.04
	Operating Temperature	0 - 40° C (32 - 104° F)		
Environmental Specifications	Relative Humidity	10 - 95% @ 40° C non-condensing		
	Vibration	0.5G		
	Shock	5G peak acceleration (11 msec. duration)		
	Certification	CE (RED Compliance), EN 61000-6-2: 2005 / AC: 2005, FCC, CB, UL, CCC, BSMI	CE (RED Compliance), EN 61000-6-2: 2005 / AC: 2005, FCC, CB, UL, CCC, BSMI	CE (No RED certification), EN 61000-6-2: 2005 / AC: 2005, FCC, CB, UL, CCC, BSMI
	Front Panel Protection	IP65/ NEMA4 Compliant		
Power Supply	Input Rating	12 V/5 A (60 W ITE Adapter)		
	Power consumption	Typical 35W Max. 40W	Typical 40W Max. 50W	
LCD Display	Size/Type	15.6" TFT LCD with LED backlight		
	Max. Resolution	1366 x 768 (FHD 1920 x 1080 Optional)		
	Max. Color	16.7M		
	Pixel Pitch (um)	252 x 252		
	Brightness (cd/m ²)	400		
View Angle	170°/160°			
Touch Screen Option (PE/RE/GE)	Type	Projected Capacitive. Analog Resistive 5-wires / Glass Panel		
	Light Transmission	90% ± 2% / 80% ± 5% / 90%		
	Controller	USB Interface / USB Interface / -		

Dimensions

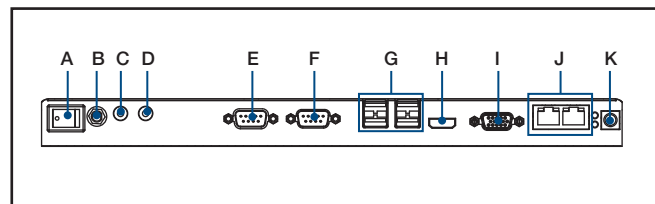
Unit: mm (inch)



Ordering Information

Part No.	Description
UTC-515GP-ATB0E	15.6" Intel® Pentium® N4200 Based fanless UTC with PCT.T/S. 4 GB RAM
UTC-515GR-ATB0E	15.6" Intel® Pentium® N4200 Based fanless UTC with Resi.T/S. 4 GB RAM
UTC-515GG-ATB0E	15.6" Intel® Pentium® N4200 Based fanless UTC with Glass. 4 GB RAM
UTC-515FR-ATB0E	15.6" Intel® Core™ i3-6100U Based fanless UTC with Resi.T/S. 4 GB RAM
UTC-515F-PE	15.6" Intel® Core™ i3-6100U Based fanless UTC with PCT.T/S. 4 GB RAM
UTC-515FG-ATB0E	15.6" Intel® Core™ i3-6100U Based fanless UTC with Glass. 4 GB RAM
UTC-515E-RE	15.6" Intel® Core™ i5-4300U Based fanless UTC with Resi.T/S. 4 GB RAM
UTC-515E-PE	15.6" Intel® Core™ i5-4300U Based fanless UTC with PCT.T/S. 4 GB RAM
UTC-515E-GE	15.6" Intel® Core™ i5-4300U Based fanless UTC with Glass. 4 GB RAM
1702002605	Power cord 2P FRANCE 10A/16A 220V 1.83M 90D
1702002600	Power Cord 3P UL/CSA(USA) 125V 10A 1.83M 180D
1700000596	Power Cord (China) CCC,10A 250V, 3P 1830mm
1700018704	Power Cord UK BSI 2P 10A 250V 180cm 18AWG
1960060674N001	IO Cover for UTC-515 series

Fully- Integrated I/O



- A. Power switch
- B. Antenna Port
- C. Line-out
- D. Mic-in
- E. COM2
- F. COM1
- G. USB 3.0 x 2, USB 2.0 x 2
- H. HDMI
- I. VGA
- J. LAN Ports x 2
- K. DC Input

Side groove design for Flexible peripheral device



Peripherals for UTC-500 series

Part No.	Description
UTC-P01-A1E	5M Camera Module For UTC-5XX (USB connection)
UTC-P02-A0E	Magnet Strip Reader For UTC-5XX (USB connection)
UTC-P03-A0E	RFID Reader For UTC-5XX (USB connection)
UTC-P06-A0E	Smart Card Reader For UTC-5XX (USB connection)
UTC-P07-A4E	2D Barcode Module (Honeywell) for UTC-500 Series (USB connection)
UTC-P09-A0E	Fingerprint reader for UTC-5xx (USB connection)
UTC-P21-A2E	4 in 1 Modules Barcode reader + RFID + Card reader + MSR

Installation Accessory

Part No.	Description
UTK-500F-A0E	Floor stand with SNBC BTP-U81 thermal printer (for China only)
UTK-500S-A0E	Floor stand without thermal printer
UTK-500G-A0E	Floor stand with thermal printer bracket
UTC-520-STAND1E	Desktop stand for UTC-515/520
UTC-H01-STANDE	H-shaped floor stand
ASK-TBSD-BS1702A01	Desk Stand for 100 X 100 / 75 X 75 mm
UTC-T01-STANDE	Triangle shape floor stand
UTC-WALL-MOUNT1E	Wall Mount kit for UTC-515/520
UTC-WALL-MOUNT3E	Wall Mount kit for UTC-515/520