

**Product data**

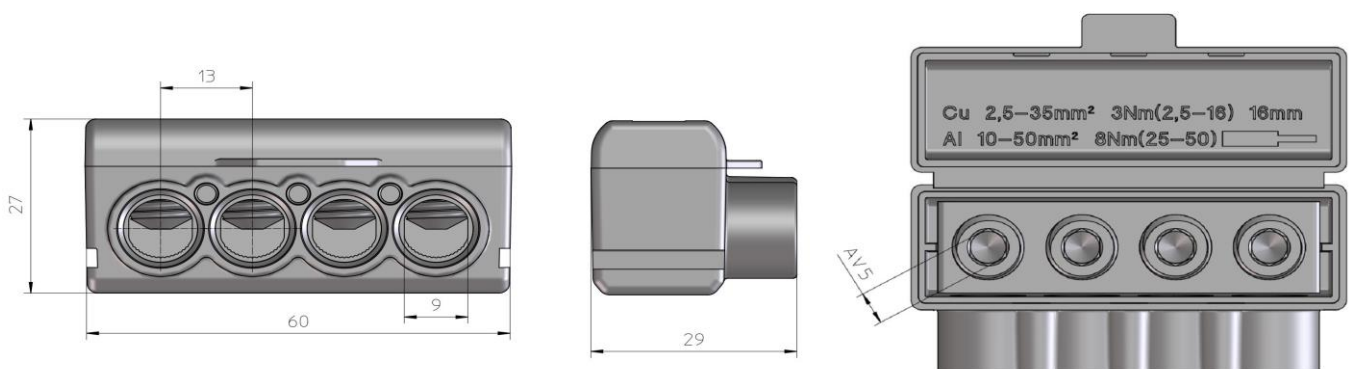
Product code	<b>VC02-0026</b>	STK-code	<b>1914200</b>	EAN-code	<b>6410019142006</b>
Product name	Pole branching connector Al 4x50 / Cu 4x35 mm <sup>2</sup>			ETIM class	<b>EC000897</b>
Wires	Al 4x50 mm <sup>2</sup> / Cu 4x35 mm <sup>2</sup>				

**Technical data**

Nominal current (IEC)	Cu	<b>135</b>	A
	Al	<b>145</b>	A
Nominal voltage (IEC)		<b>1000</b>	V
		-	
		-	
		-	
Number of poles		<b>1</b>	pcs
Max. Cross section		<b>50</b>	mm <sup>2</sup>
Tightening torque			
	2,5-16 mm <sup>2</sup>	<b>3</b>	Nm
	25-50 mm <sup>2</sup>	<b>8</b>	Nm
		-	
		-	
Min. installation temperature		<b>+5</b>	°C
Operating temperature		<b>-25...+80</b>	°C
Weight		<b>41,8</b>	g
IP-protection		<b>IP23/IP33</b>	
Standards	<b>EN 61238-1:2003 ; EN 60947-7-1:2009 ; EN 60529:1991 + A1:2000 + A2:2013</b>		
Color / Material	<b>Grey Housing RAL 7035/PA66-V0, Tin plated Aluminium</b>		
Mounting / Connection	<b>On cable</b>		


**Description**

Single pole distribution block for branching connections. This connector has four cable inputs. IP class is IP33 when OD01-0078 sealing kit is used and IP23 when  $\geq 25$  mm<sup>2</sup> conductors are used.

**Drawing**

**Package**

Package	<b>Box</b>	Pcs / Package	<b>18</b>	Weight [kg]	<b>0,80</b>
Length [mm]	<b>120</b>	Width [mm]	<b>130</b>	Height [mm]	<b>100</b>

**Ouneva Oy**

Teollisuustie 21  
FI-82730 Tuupovaara  
Finland

Tel. +358 400 179 750  
[info@ouneva.fi](mailto:info@ouneva.fi)

[www.ounevagroup.fi](http://www.ounevagroup.fi)  
[www.ounevaproducts.fi](http://www.ounevaproducts.fi)