

Product data

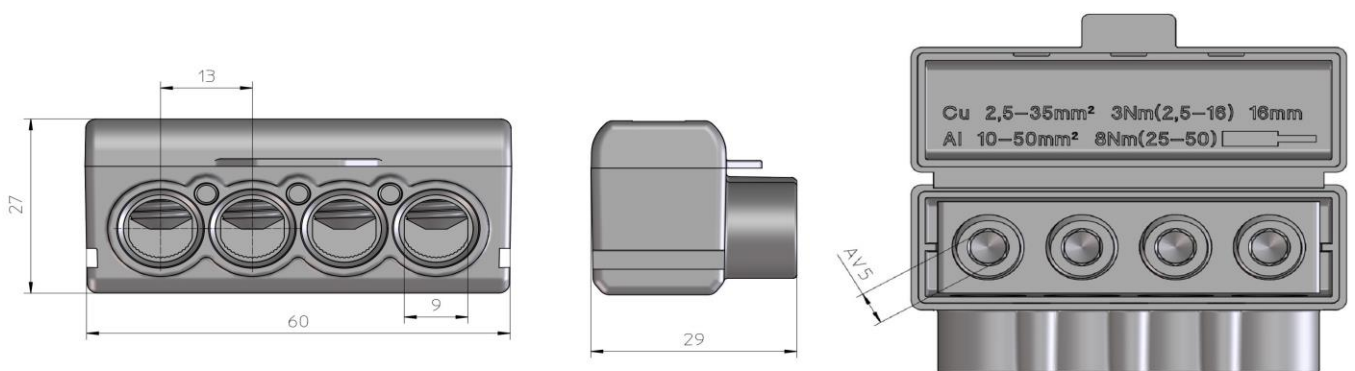
Product code	VC02-0057	STK-code	1914227	EAN-code	6410019142273
Product name	Pole branching connector Al 4x50 / Cu 4x35 mm ² Yellow/Green			ETIM class	EC000897
Wires	Al 4x50 mm ² / Cu 4x35 mm ²				

Technical data

Nominal current (IEC)	Cu	135	A
	Al	145	A
Nominal voltage (IEC)		1000	V
		-	
		-	
		-	
Number of poles		1	pcs
Max. Cross section		50	mm ²
Tightening torque			
	2,5-16 mm ²	3	Nm
	25-50 mm ²	8	Nm
		-	
		-	
Min. installation temperature		+5	°C
Operating temperature		-25...+80	°C
Weight		41,8	g
IP-protection		IP23/IP33	
Standards	EN 61238-1:2003 ; EN 60947-7-1:2009 ; EN 60529:1991 + A1:2000 + A2:2013		
Color / Material	Grey Housing RAL 7035/PA66-V0, Tin plated Aluminium		
Mounting / Connection	On cable		


Description

Single pole distribution block for branching connections. This connector has four cable inputs. IP class is IP33 when OD01-0078 sealing kit is used and IP23 when ≥ 25 mm² conductors are used.

Drawing

Package

Package	Box	Pcs / Package	18	Weight [kg]	0,80
Length [mm]	120	Width [mm]	130	Height [mm]	100

Ouneva Oy

Teollisuustie 21
FI-82730 Tuupovaara
Finland

Tel. +358 400 179 750
info@ouneva.fi

www.ounevagroup.fi
www.ounevaproducts.fi