

Product data

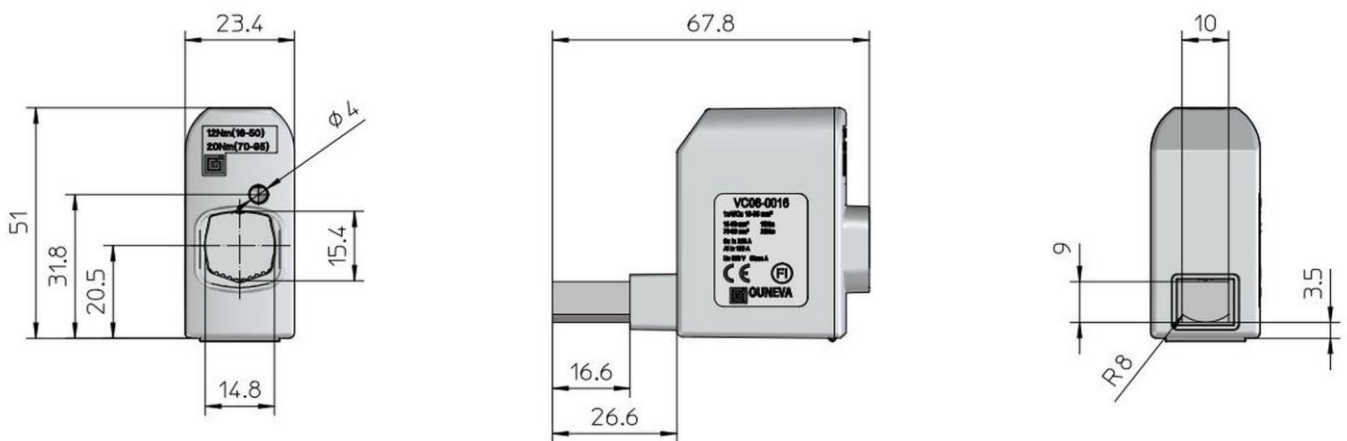
Product code	VC06-0016	STK-code	1912322	EAN-code	6410019123227
Product name	Device connector 1xAl/Cu 16-95 RBM			ETIM class	EC001284
Wires	1xAl/Cu 16-95 mm ²				

Technical data

Nominal current	Cu	230	A
	Al	180	A
Nominal voltage		690	V
		-	
		-	
		-	
Number of poles		1	pcs
Max. Cross section		95	mm ²
Tightening torque	16-50 mm ²	12	Nm
	70-95 mm ²	20	Nm
		-	
		-	
Max. Operating temperature		80	°C
Weight		59	g
IP-protection		IP20	
Standards	EN 61238-1:2003 ; EN 60947-7-1:2009		
Color / Material	Grey Housing RAL 7035/PA66, Tin plated Aluminium		
Mounting / Connection	Screw		


Description

Device connector is a universal terminal series for connecting Al- and Cu-conductors to equipment. Body is made of tin plated aluminium, housing of polyamide. This model includes measurement connector for up to 2,5mm² conductor and has rounded connector bar.

Drawing

Package

Package	Box	Pcs / Package	30	Weight [kg]	1,87
Length [mm]	210	Width [mm]	155	Height [mm]	105

Ouneva Oy

Teollisuustie 21
FI-82730 Tuupovaara
Finland

Tel. +358 400 179 750
info@ouneva.fi

www.ounevagroup.fi
www.ounevaproducts.fi