

**Product data**

Product code	<b>VC06-0030</b>	STK-code	<b>1912336</b>	EAN-code	<b>6410019123364</b>
Product name	Device connector 1xAl/Cu 16-95 RBMR			ETIM class	<b>EC001284</b>
Wires	1xAl/Cu 16-95 mm <sup>2</sup>				

**Technical data**

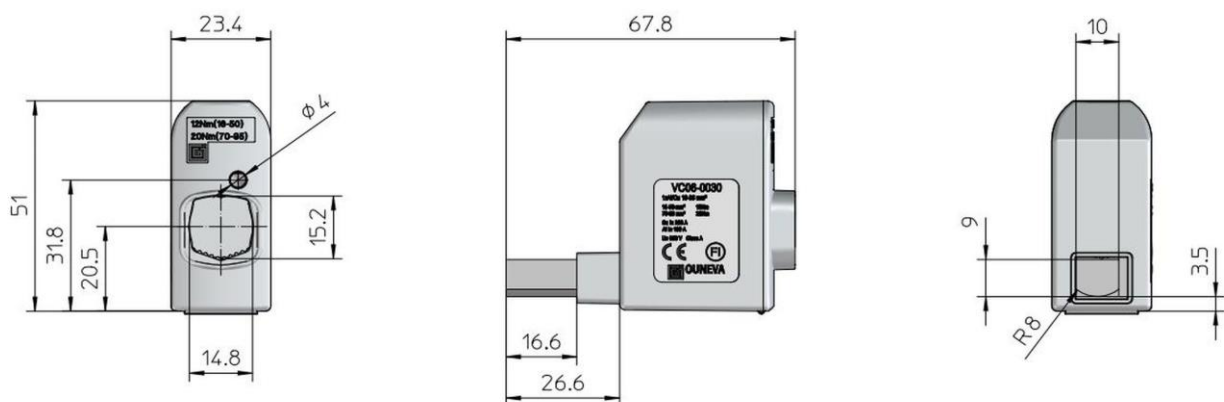
Nominal current	Cu	<b>230</b>	A
	Al	<b>180</b>	A
Nominal voltage		<b>690</b>	V
		-	
		-	
Number of poles		<b>1</b>	pcs
Max. Cross section		<b>95</b>	mm <sup>2</sup>
Tightening torque	16-50 mm <sup>2</sup>	<b>12</b>	Nm
	70-95 mm <sup>2</sup>	<b>20</b>	Nm
		-	
		-	
Max. Operating temperature		<b>80</b>	°C
Weight		<b>56</b>	g
IP-protection		<b>IP20</b>	



Standards	<b>EN 61238-1:2003 ; EN 60947-7-1:2009</b>
Color / Material	<b>Grey Housing RAL 7035/PA66, Tin plated Aluminium</b>
Mounting / Connection	<b>Screw</b>

**Description**

Device connector is a universal terminal series for connecting Al- and Cu-conductors to equipment. Body is made of tin plated aluminium, housing of polyamide. This model has right handed rounded connector bar and measurement connector for up to 2,5mm<sup>2</sup> conductor.

**Drawing**

**Package**

Package	<b>Box</b>	Pcs / Package	<b>30</b>	Weight [kg]	<b>1,78</b>
Length [mm]	<b>210</b>	Width [mm]	<b>155</b>	Height [mm]	<b>105</b>

**Ouneva Oy**

Teollisuustie 21  
FI-82730 Tuupovaara  
Finland

Tel. +358 400 179 750  
[info@ouneva.fi](mailto:info@ouneva.fi)

[www.ounevagroup.fi](http://www.ounevagroup.fi)  
[www.ounevaproducts.fi](http://www.ounevaproducts.fi)