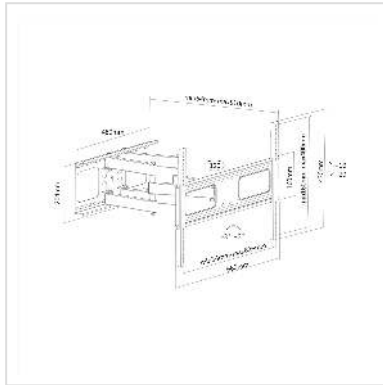


# VALUE Solid Articulating Wall Mount TV Holder, up to 177.8cm (37" - 70"), black

<b>Product No.</b>	17.99.1205
<b>Manufacturer</b>	VALUE
<b>Manufacturer No.</b>	17.99.1205
<b>EAN (single piece)</b>	7611990171835



- Dual-arm full-motion wall mount for TVs (LED, LCD flat panel TVs) up to 177,8cm (37" - 70")
- Max. weight: 50kg
- This mount extends out 510mm from wall and allows TVs to turn 60° left or right
- Full motion allows maximum flexibility - tilts and swivel your TV for easy viewing from any seat in a room
- Post-installation level adjustment allows the TV to "roll" up to 3° clockwise and counterclockwise to ensure it's perfect level
- Integrated cable management system keeps cables organized and protected
- Wide wall plate fits for 406/450mm stud installation

## Technical Data:

- Material: Steel
- Product weight: 7kg
- Recommended Screen Size: 37"-70"
- Installation: Solid wall, Double Stud
- Max. Load Capacity: 50kg
- Max. Hole Pattern: 626X400mm
- VESA Standard: 200x200, 400x200, 300x300, 400x400, 600x400
- Max. VESA: 600x400
- Tilt: -20° ~ +10°
- Swivel: -60° ~ +60°
- Level

## Technical specifications

Manufacturer	VALUE
Product group	LCD-Monitor arms
Product type	TV Wall Mount
Colour	black
Load capacity	50 kg
Fixing	Wall mount
Adjustments	Mechanical
Inclinable	Yes
Rotatable	Yes
Wall distance	6.4 cm
Number of monitors	1
Max. Screen diagonal (cm)	177.8 cm
Max. Screen diagonal (inch)	70 Inch
Min. Screen diagonal (cm)	94 cm
Min. Screen diagonal (inch)	37 Inch
VESA 200 x 200 mm	Yes
VESA 300 x 300 mm	Yes
VESA 400 x 200 mm	Yes
VESA 400 x 300 mm	Yes
VESA 400 x 400 mm	Yes
VESA 600 x 200 mm	Yes
VESA 600 x 400 mm	Yes
Material group	metal
Weight	6991.5 g