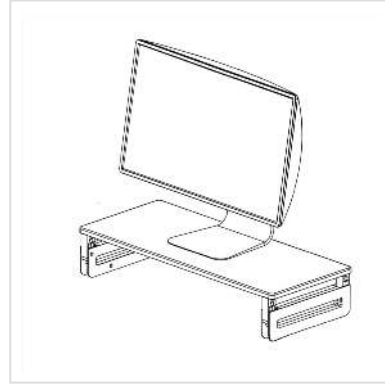
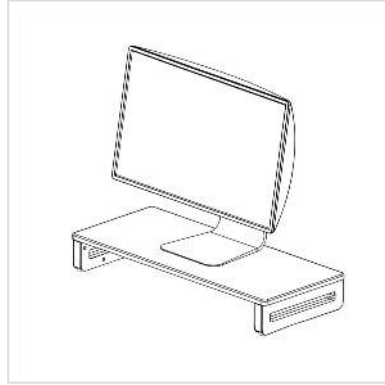


VALUE Height-adjustable Monitor/Laptop Stand, black

Product No.	17.99.1340
Manufacturer	VALUE
Manufacturer No.	17.99.1340
EAN (single piece)	7630049611429



Monitor/laptop stand made of wood, 2-step height adjustment and with cable suspension for a clean, tidy workplace

- Large platform footprint (600x250mm) for up to two monitors or laptop and devices such as speakers or pen holders
- Cable suspension on the rear for space-saving and tidy cable management
- Under the monitor platform there is plenty of space for documents or also for temporary storage of the keyboard
- Loadable up to 20kg
- Dimensions (WxHxD): 600 x 90/115 x 250mm
- Colour: black

Technical specifications

Manufacturer	VALUE
Product group	LCD-Monitor arms
Product type	Monitor stand
Colour	black
Load capacity	20 kg
Adjustments	Mechanical
Inclinable	No
Height adjustable	Yes
Number of monitors	1

Material group	Wood
height	115 mm
width	600 mm
depth	250 mm
Weight	1684.3 g