

# Euro XPD D-Shaft - Programmable Sensor



- 8 mm D-Shaft Rotary Sensor
- Hall Effect non-contact technology
- Long life - extremely robust
- Programmable angles from 20° up to 360°
- IP68 protection
- Selectable mounting options
- Redundant output



Based on the well proven 28 mm diameter Euro-XP angle sensor, the D-shaft option is available with a choice of 32 or 38 mm PCD mounting. With programmable angle selection and redundant output this compact and contactless Hall Effect sensor features IP68 sealing and will suit arduous high-duty cycle position feedback applications in all areas of motorsports.

## Specifications

### Mechanical

Typical Life Cycle	>50 million movements (restriction by mechanics)
Torque	< 0.1 Ncm
Measuring range	360° redundant, signal 1 cw, signal 2 ccw
Housing	High grade temperature resistant plastic
D-Shaft	Nylon 66

### Environmental

Operating temperature	-40°C to +125°C (Short term 150°C)
Vibration	5...2000 Hz; Amax = 0.75 mm; amax = 20g to IEC 60068-2-6
IP rating	IP68 (minimum)

### Electrical

Supply Voltage	5V +/- 0.5V
Output signal	Ratiometric 5%...95% of supply (+/-25mv of specified electrical output range for both start & end voltage)
Independent linearity	+/- 0.5% of each signal range
Isolation resistance	200 MΩ (500 VDC, 1 bar, 2s)
Electrical connection	See ordering code/wiring diagram
Cable type	Raychem Spec 55, 24 AWG; Sleeving - Raychem DR25

## Ordering information

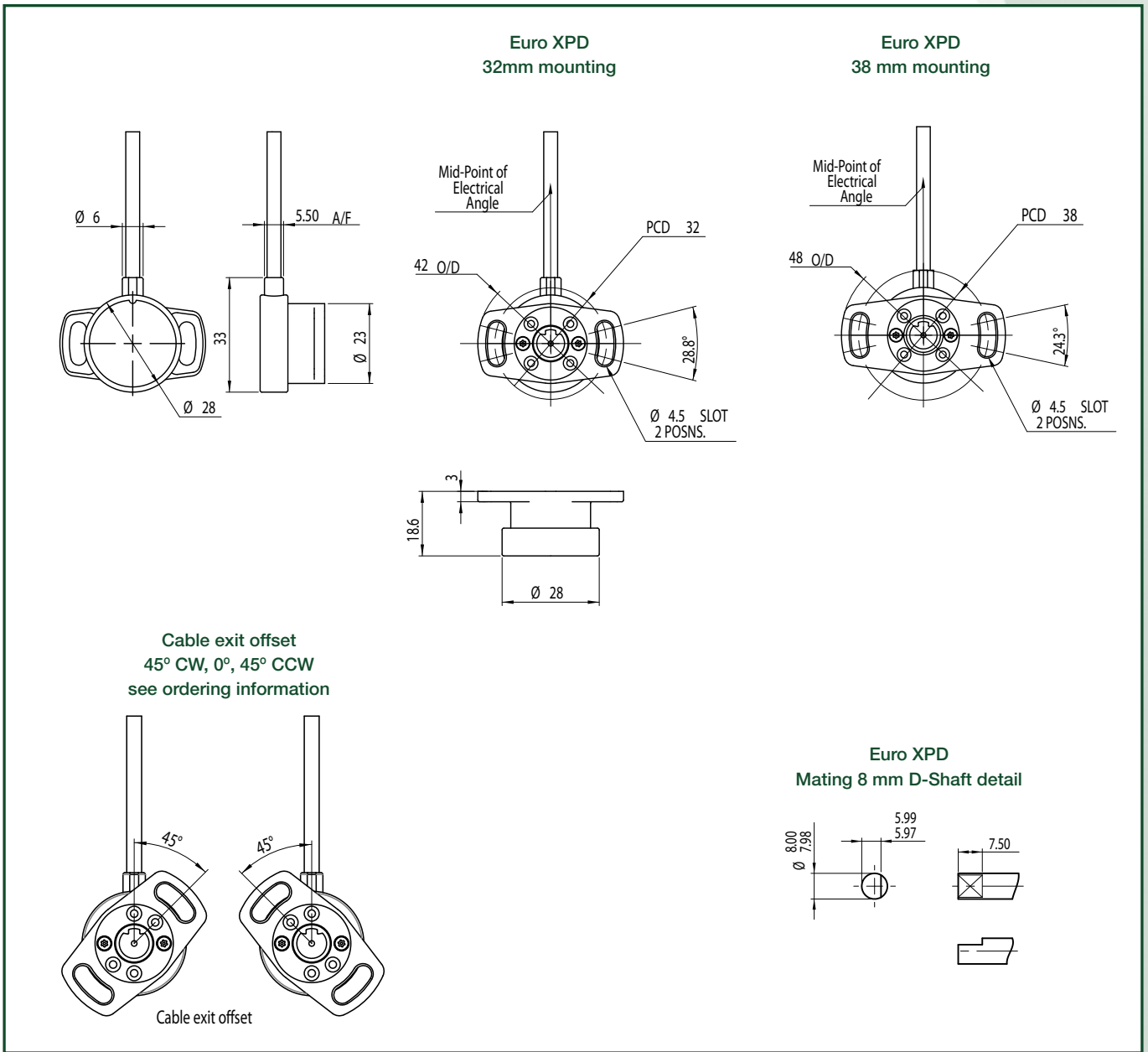
(Please use the characters in the chart below to construct your product code)

Sample Code: **Euro-XPD - 28xx - 8xx - 214 - 911 - 00**

Series	Mechanical version	Electrical Angle	Power supply voltage Output signal Output characteristics	Electrical Connection Cable Length	Cable exit offset
Euro-XPD	32 = Plastic Housing - D shaft 32 mm mounting 38 = Plastic Housing - D shaft 38 mm mounting	36 = Standard electrical angle 360° xx = Optional angle - from 20° to 360° in 10° steps (eg. 08 = 80°)	214 = Supply 5VDC; Ratiometric output, 5% to 95% of supply V *  * +/-25mv of specified electrical output range for both start & end voltage	911 = Raychem Spec 55, 24 AWG; Sleeving - Raychem DR25 XL ETFE: Ø = 0.94mm; 0.24 mm²; L = 500 mm	00 = 0° 01 = 45° CW 02 = 45° CCW

Custom options available on request

## Dimensions in mm - Euro XPD



## Wiring

