

## FX1901 Force sensor

- 10 - 100 lbf range
- Reliable OEM Design
- Compact Coin Cell Package



The FX1901 units are intended for OEM use establishing a breakthrough price/performance value for compression load cells.

## Properties

### Technical parameters

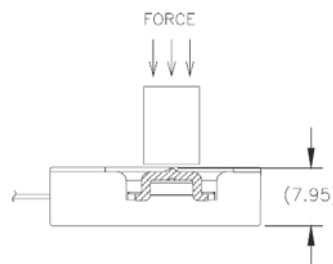
Supply Voltage: 5.0V, Ambient Temperature: 25°C (unless otherwise specified)

PARAMETERS	MIN	TYP	MAX	UNITS	NOTES
Span	16	20	24	mV/V	1
Zero Force Output		±15		mV	1
Accuracy (non linearity, hysteresis and repeatability)		±1		%Span	2
Input Resistance		3		kΩ	
Output Resistance		2.2		kΩ	
Temperature Error – Zero		±8		%Span	3
Temperature Error – Span		±2.5		%Span	3
Long Term Stability (1 year)		±1		%Span	
Maximum Overload			2.5X	Rated	
Compensated Temperature	0		50	°C	
Operating Temperature	0		50	°C	
Storage Temperature	-40		+85	°C	
Excitation Voltage	2	5	10	Vdc	
Isolation Resistance (250Vdc)	50			MΩ	
Deflection at Rated Load			0.05	mm	
Humidity	0		90	%RH	
Weight		8.1		grams	

For custom configurations, consult factory.

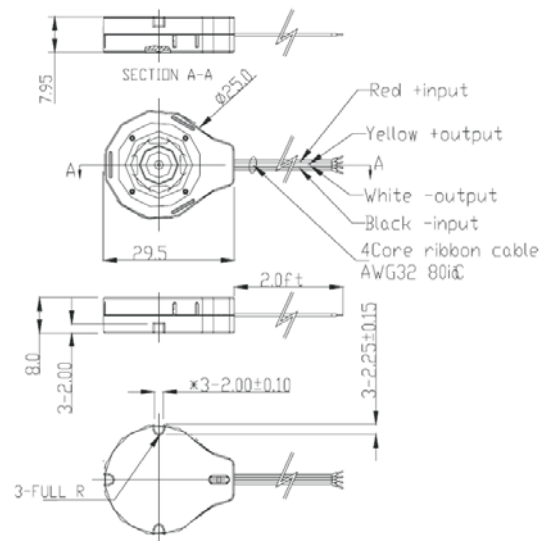
- Notes
1. Ratiometric to supply.
  2. Best fit straight line.
  3. Maximum temperature error over compensated range with respect to 25°C.

CE Compliance  
IEC61000-4-2 [4 kV/ 4 kV (Air/Contact)]  
IEC61000-4-3 (3 V/m)  
IEC55022 Class A



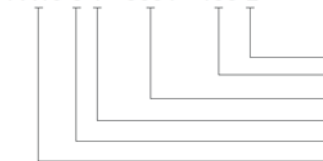
LOAD MUST ONLY BE APPLIED TO THE CONCENTRATOR TIP IN THE CENTER OF THE SENSOR TO MAINTAIN ACCURACY

### Dimension in mm



### Order details

FX19 0 1 - 0001 - 100 L



Units (L = lbf)  
Force Range  
Specials (0001 = Standard, nnnn = Custom Design)  
Connection (1 = 2ft Cable)  
Output (0 = 20mV)  
Model

Range	lbf
0 to 10	•
0 to 25	•
0 to 50	•
0 to 100	•

### Wiring details

