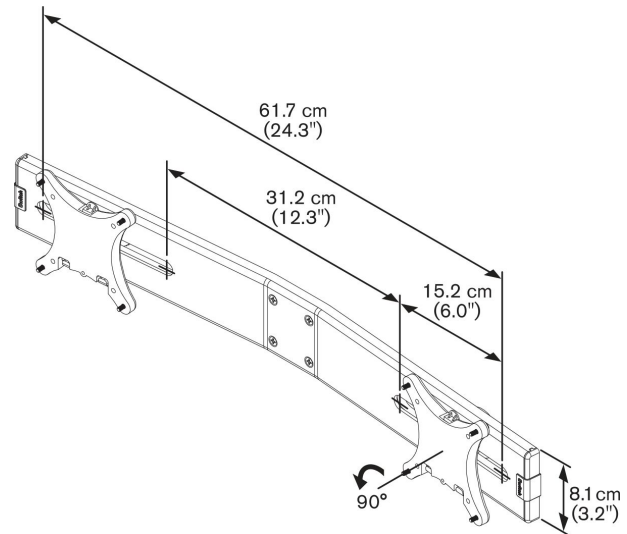




## PFA 9102 Dual Monitor Adapter for PFD Mounts

More and more people are using two monitors at a time. This is very easy to install with the PFA 9102.





## PFA 9102 Dual Monitor Adapter for PFD Mounts

# Specifications

Article number (SKU)	7191024
Colour	Silver
EAN single box	8712285318382
Guarantee	10 years
Max. weight load (kg)	12
Max. display width (mm)	580
Max. screen size (inch)	24
Min. screen size (inch)	10

VOGEL'S HOLDING BV (©)

All rights reserved.  
Subject to printing errors,  
technical and price  
amendments.

Date: 2022-06-02