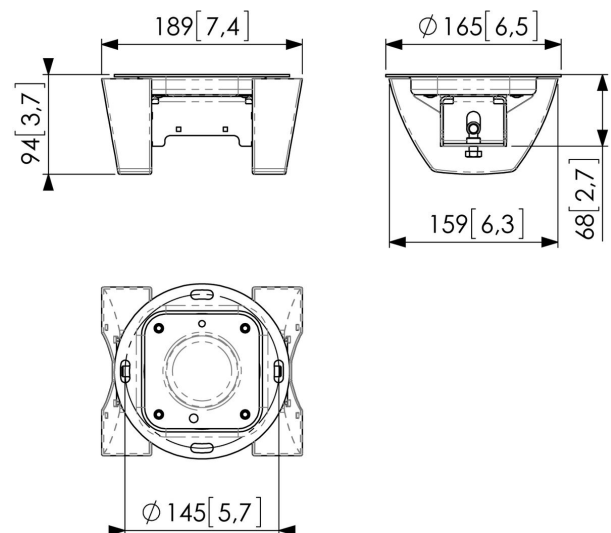


## PUC 1065 Ceiling Plate turn

The PUC 1065 ceiling plate is part of the modular Connect-it system. You can use this ceiling plate to create a ceiling solution for medium to large-sized displays up to 80kg (160kg back-to-back). This ceiling plate is suitable for flat ceilings and has a unique turning ability to adjust the position of the display.





## PUC 1065 Ceiling Plate turn

# Specifications

Article number (SKU)	7210650
Colour	Black
EAN single box	8712285324123
TÜV certified	Yes
Turn	Up to 360°
Guarantee	5 years
Max. weight load (kg)	80
Ceiling plate options	Flat (turn function)
Ceiling types	Flat ceiling
Height options	Fixed height

VOGEL'S HOLDING BV (©)

All rights reserved.  
Subject to printing errors,  
technical and price  
amendments.

Date: 2022-06-01



**Vogel's. For Sure.**