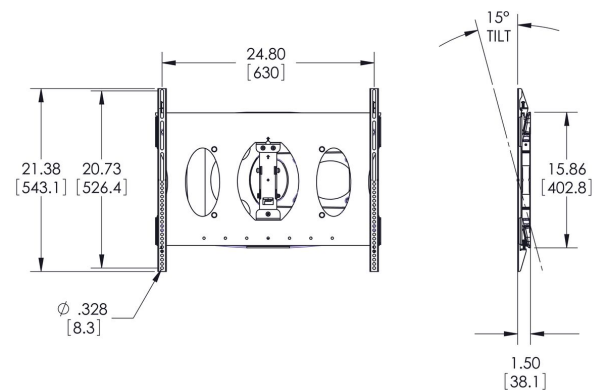
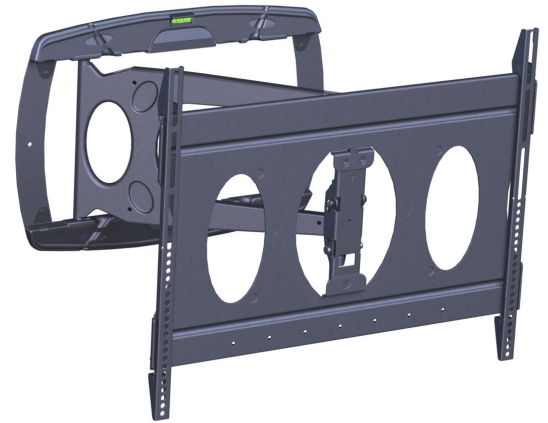




PFW 6850 Display Wall Mount turn & tilt

The PFW 6850 is an ultra slim wall mount for displays up to 40kg / 88 lbs. that provides two options for the swing arm placement, allowing the mount to swing out from the left or right, based on the installation requirements.





PFW 6850 Display Wall Mount turn & tilt

Specifications

Article number (SKU)	7368500
Colour	Black
EAN single box	8712285323362
Product size	M
TÜV certified	Yes
Tilt	Tilt up to 15°
Turn	Up to 180°
Guarantee	5 years
Min. screen size (inch)	42
Max. screen size (inch)	65
Max. weight load (kg)	40
Min. hole pattern	100mm x 100mm
Max. hole pattern	630mm x 526mm
Max. height of interface (mm)	543
Max. width of interface (mm)	668
Levelling function	Post-installation horizontal levelling
Lock options	No lock
Max. distance to the wall (mm)	749
Max. horizontal hole pattern (mm)	630
Max. screen size (inch)	65
Max. vertical hole pattern (mm)	526
Min. distance to the wall (mm)	38
Min. screen size (inch)	42
Number of pivot points	3
Orientation	Landscape
Universal or fixed hole pattern	Universal

VOGEL'S HOLDING BV (©)

All rights reserved.
Subject to printing errors,
technical and price
amendments.

Date: 2022-06-02



Vogel's. For Sure.