

COMMZBOX weatherproof communications enclosure



The COMMZBOX is a highly durable weatherproof housing designed to allow data and/or voice cabling to be used in industrial or damp, internal or external locations. Whether installed in dusty factories, camping sites, trade fair grounds or caravan parks the COMMZBOX provides an excellent solution to keeping connections clean and dry.

Features

- WJ6KJH – COMMZBOX supplied with both high performance Cat6 tooless socket and 6p6c socket
- WJKJH – COMMZBOX supplied with 6p6c socket
- IP65 Rating (i.e. protected from total dust ingress and protected from low pressure water jets from any direction)
- Supplied with IP65 gland suitable for cable 4-8mm diameter
- 20mm knock-outs located top, bottom, side and back
- Corrosion Resistant
- Snap Shut Action Lid
- Padlock facility
- Includes two earthing points
- CE approved

Specifications

- Dimensions: approx. 152x83x101mm
- Total Weight: approx. 370-430g
- Colour: Housing and faceplate: RAL7032 grey
- Materials: Fire retardant ABS
- Supplied with two 12.5x50mm white ABS spacers for fitting the module (WJKJH)
- Various styles available:

WJ6KJH – COMMZBOX supplied with Cat6 tooless and 6p6c socket

<https://tuk.co.uk/product/rj11-12-snap-in-module/>

<https://tuk.co.uk/product/keystone-socket-tool-less-category-6/>

WJKJH – COMMZBOX supplied with 6p6c socket

<https://tuk.co.uk/product/rj11-12-snap-in-module/>

WJEXT – see housing specification attached

Commodity code: 85369010

EAN:

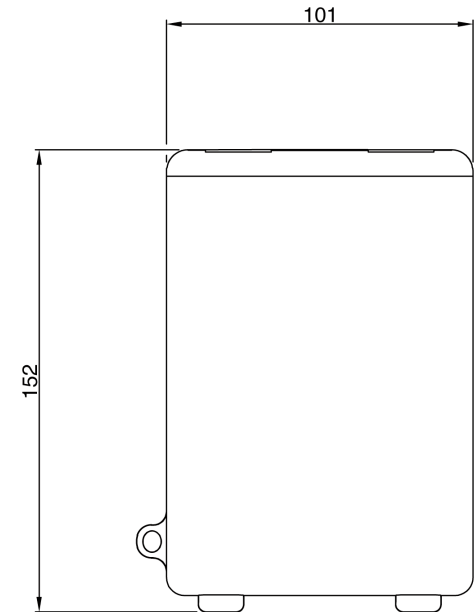
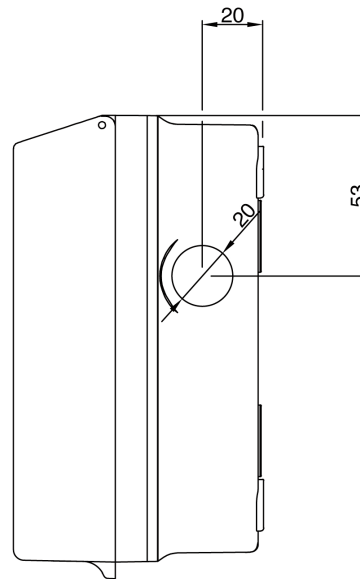
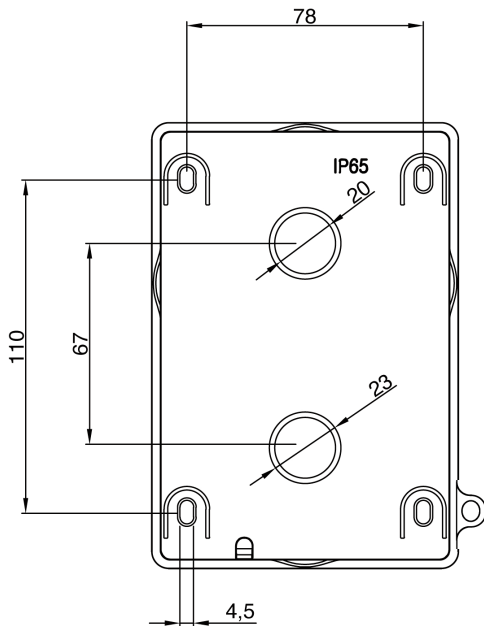
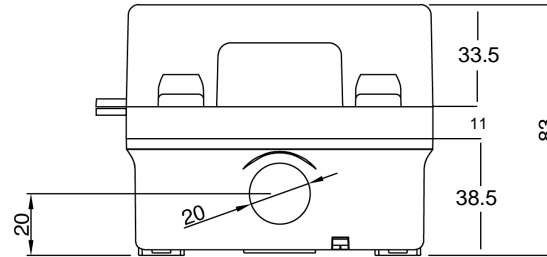
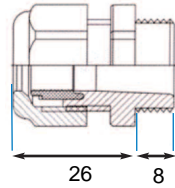
WJ6KJH 5055386511096

WJKJH 5055386511102

Country of Origin: UK

ROHS Compliant

Code: WJEXT



Tolerance +/- 0.5mm