

**AMG ELM-4F CL2****Weidmüller Interface GmbH & Co. KG**

Klingenbergstraße 26

D-32758 Detmold

Germany

www.weidmueller.com



Efficient machine and facility operation calls for fail-safe and maintenance-friendly control voltage distribution that can be installed in a time and space-saving manner.

With the new maxGUARD system, the terminal blocks (previously installed separately) for distributing potential to the outputs of the electronic load monitors become an integral part of a 24 V DC control voltage distribution system.

The innovative combination of load monitoring and potential distribution saves time during installation, increases safety against failure and reduces the amount of space required on the terminal rail by 50%.

**General ordering data**

Version	Electronic load monitoring, 4 A, 24 V DC
Order No.	<a href="#">2491290000</a>
Type	AMG ELM-4F CL2
GTIN (EAN)	4050118500998
Qty.	1 pc(s).

## AMG ELM-4F CL2

**Weidmüller Interface GmbH & Co. KG**

Klingenbergstraße 26

D-32758 Detmold

Germany

www.weidmueller.com

## Technical data

### Dimensions and weights

Depth	96.5 mm	Depth (inches)	3.799 inch
Height	125 mm	Height (inches)	4.921 inch
Width	6.1 mm	Width (inches)	0.24 inch
Net weight	40 g		

### Temperatures

Storage temperature	-40 °C...85 °C	Operating temperature	-25 °C...70 °C
Operating temperature, min.	-25 °C	Operating temperature, max.	70 °C

### Input

Current consumption (full load)	$I_{OUT} + 30$ mA	Current consumption (idle)	25 mA
DC input voltage range	18...30 V DC	Input fuse (internal)	Yes
Rated input voltage	24 V DC	Surge protection	Suppressor diode
max. admissible residual ripple at the input	100 mVpp		

### Output

Capacitive load	4.700 $\mu$ F	Connection system	PUSH IN
Rated current	4 A	Surge protection	Suppressor diode
Switch-on delay	1 s	Triggering characteristic	see characteristic curve
adjustable rated current	No		

### General data

Conformal coating	No		
Function key	Activation time < 3s, Reset, ON		
MTTF	According to Standard	SN 29500	
	Operating time (hours), min.	2.54 Mh	
	Ambient temperature	40 °C	
	Input voltage	24 V	
	Output power	96 W	
	Duty cycle	100 %	
Operating temperature	-25 °C...70 °C		
Power loss, idling	444 mW		
Power loss, nominal load	916 mW		
Protection degree	IP20		
Relay to activate the output	No		
Surge voltage category	III		

### Insulation coordination

Surge voltage category	III
------------------------	-----

### Connection data (output)

Conductor cross-section, AWG/kcmil , max.	12	Conductor cross-section, AWG/kcmil , min.	26
Conductor cross-section, flexible , max.	2.5 mm <sup>2</sup>	Conductor cross-section, flexible , min.	0.14 mm <sup>2</sup>
Conductor cross-section, rigid , max.	2.5 mm <sup>2</sup>	Conductor cross-section, rigid , min.	0.14 mm <sup>2</sup>
Connection system	PUSH IN	Number of terminals	2 (+ / -)

Creation date March 8, 2023 11:10:48 AM CET

## AMG ELM-4F CL2

**Weidmüller Interface GmbH & Co. KG**

Klingenbergstraße 26

D-32758 Detmold

Germany

www.weidmueller.com

## Technical data

### Signalling

LED green	Red LED	Load monitoring has disconnected, Load monitoring has triggered (flashing), Internal error (rapid flashing)
Operation (failure-free)		

### Approbations

Certificate no. (cULus)	E258476	Institute (cULus)	CULUS
-------------------------	---------	-------------------	-------

### Classifications

ETIM 6.0	EC002057	ETIM 7.0	EC002057
ETIM 8.0	EC002057	ECLASS 9.0	27-37-10-16
ECLASS 9.1	27-37-10-16	ECLASS 10.0	27-37-10-16
ECLASS 11.0	27-37-10-16	ECLASS 12.0	27-37-10-16

### Environmental Product Compliance

REACH SVHC	Lead 7439-92-1
SCIP	a7fff16c-85aa-4fb0-a206-7be03f41b0b7

### Approvals

Approvals



ROHS	Conform
UL File Number Search	UL Website
Certificate no. (cULus)	E258476

### Downloads

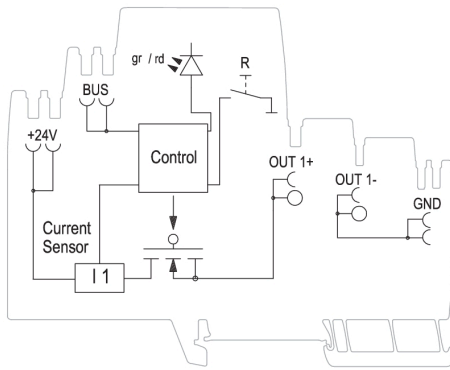
Approval/Certificate/Document of Conformity	<a href="#">Declaration of Conformity</a>
Engineering Data	<a href="#">CAD data – STEP</a>
Product Change Notification	<a href="#">Release-Notes</a>
User Documentation	<a href="#">Manual_maxGUARD</a> <a href="#">Operating instructions</a>
Catalogues	<a href="#">Catalogues in PDF-format</a>

AMG ELM-4F CL2

Weidmüller Interface GmbH & Co. KG  
Klingenbergstraße 26  
D-32758 Detmold  
Germany

www.weidmueller.com

Drawings



Tripping characteristic normal

