

Electronic Audible Signal Devices / Electronic Buzzers Installation 109

**Electr. Buzzer EM Pulse tone 24VAC/DC BK****Part No.:** 109.010.75**MECHANICAL DATA**

Height	59 mm
Diameter	52 mm
Materials	PC PC/ABS
Housing colour	Black
Protection category	IP65
Connection	Screw terminals
cross-sectional area maximum	1,50mm <sup>2</sup> / 16AWG
Type of fixing	Built-in mounting
Working temperature minimum	-20°C
Working temperature maximum	+50°C
Weight with packaging	59 g
Product weight	46 g

**ELECTRICAL DATA**

Operating voltage	24V
Operating voltage type	AC/DC
Operating voltage frequency	50Hz
Operating voltage tolerance	+/- 10%
Rated operational voltage	24 VDC
Rated operational current	25 mA
Rated inrush current	200 mA
Protection class	Protection class 2
Pollution degree	3 In the connection area: 2

**ACOUSTIC DATA**

Volume (max) at 1m distance	80,0 dB (A)
Acoustic signal image	Pulse tone
Audio frequency	2100 Hz
Acoustic service life	5,000 h minimum

**APPROVAL DATA**

Conforms with CE	Yes
Conforms with RoHS directive	Yes
WEEE	Yes
Conforms with ATEX-directive	No
Conforms with CCC	No
Conforms with UL	cULus
UL Type Rating	Type 4X

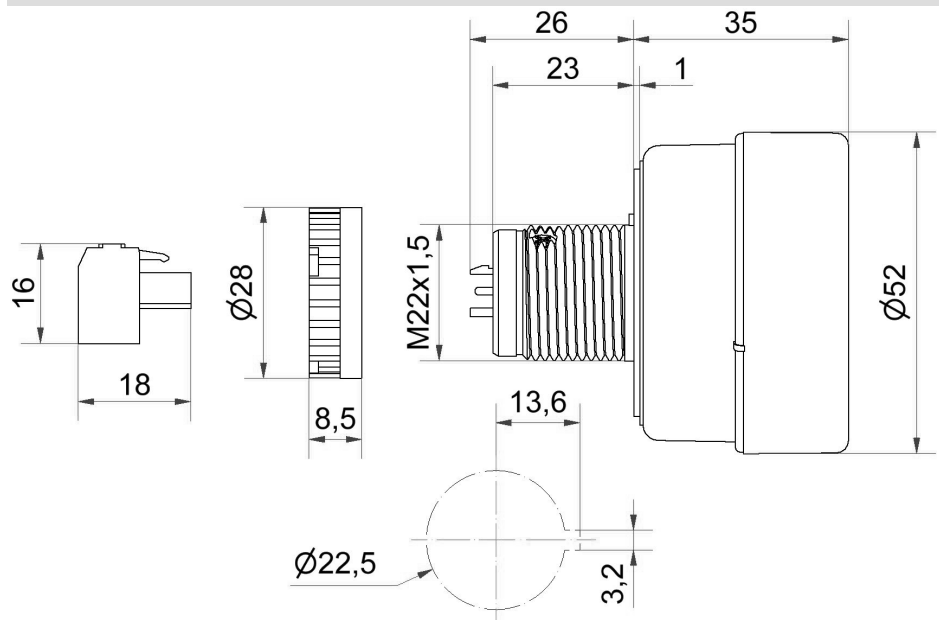


For additional installation and mounting information, refer to the appropriate user guide at [www.werma.com](http://www.werma.com). This printed copy is for information only and is subject to alteration.

Electronic Audible Signal Devices / Electronic Buzzers Installation 109  
**Electr. Buzzer EM Pulse tone 24VAC/DC BK**

Conforms with FCC	No
Conforms with IC	No
EAC certificate available	Yes
Conforms with UKCA (Importer)	Yes (WERMA (UK) Ltd.)
Conforms with AS-I	No
ICAO Certification	No
Conforms with DNV	No
Conforms with RoHS CN	No
Conforms with VdS	No
MTTF-value [years]	3013

**DRAWING**



**!** For additional installation and mounting information, refer to the appropriate user guide at [www.werma.com](http://www.werma.com). This printed copy is for information only and is subject to alteration.