

Mini Horns Sirens Buzzer / Electronic Buzzers 118 483/119 483

**Electr. Buzzer WM Contin/pulse 24VAC/DC**



**Part No.:** 119.483.15



MECHANICAL DATA	
Height	80 mm
Diameter	70 mm
Materials	PC/ABS
Housing colour	Grey
Protection category	IP33
Connection	Flat plug
Type of fixing	Wall mounting
Working temperature minimum	0°C
Working temperature maximum	+60°C
Weight with packaging	115 g
Product weight	89 g

ELECTRICAL DATA	
Operating voltage	24V
Operating voltage type	AC/DC
Operating voltage frequency	50Hz
Operating voltage tolerance	+/- 10%
Rated operational voltage	24 VDC
Rated operational current	20 mA
Rated inrush current	<500mA
Protection class	Protection class 2
Pollution degree	2

ACOUSTIC DATA	
Volume (max) at 1m distance	90,0 dB (A)
Acoustic signal image	Continuous tone Pulse tone
Audio frequency	2400 Hz
Acoustic service life	5,000 h minimum

APPROVAL DATA	
Conforms with CE	Yes
Conforms with RoHS directive	Yes
WEEE	Yes
Conforms with ATEX-directive	No
Conforms with CCC	No
Conforms with UL	No
Conforms with FCC	No
Conforms with IC	No

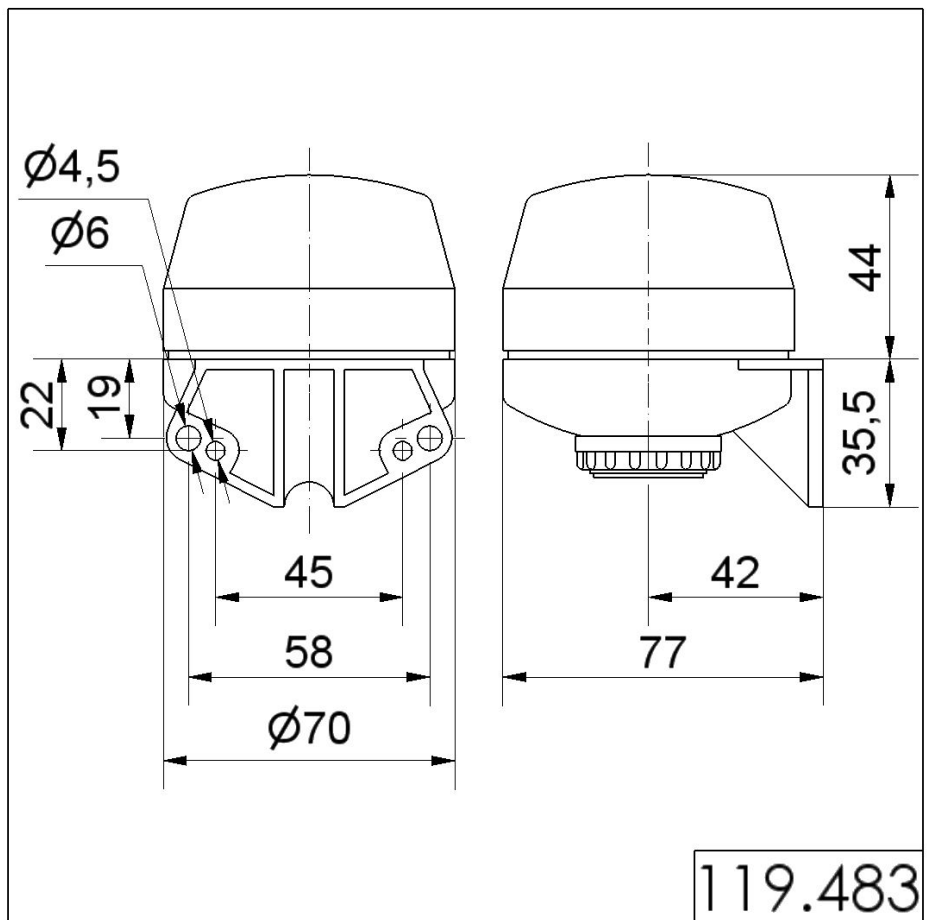
**!** For additional installation and mounting information, refer to the appropriate user guide at [www.werma.com](http://www.werma.com). This printed copy is for information only and is subject to alteration.

Mini Horns Sirens Buzzer / Electronic Buzzers 118 483/119 483

**Electr. Buzzer WM Contin/pulse 24VAC/DC**

EAC certificate available	Yes
Conforms with UKCA (Importer)	Yes (WERMA (UK) Ltd.)
Conforms with AS-I	No
ICAO Certification	No
Conforms with DNV	No
Conforms with RoHS CN	No
Conforms with VdS	No

**DRAWING**



! For additional installation and mounting information, refer to the appropriate user guide at [www.werma.com](http://www.werma.com). This printed copy is for information only and is subject to alteration.