

Midi Horns and Sirens / Electronic Multi-Tone Sounders 126

**Multi-t.sounder WM 4 tne 12-24VDC GY**



**Part No.:** 126.052.15



**MECHANICAL DATA**

|                              |                             |
|------------------------------|-----------------------------|
| Height                       | 80 mm                       |
| Diameter                     | 70 mm                       |
| Materials                    | PC/ABS                      |
| Housing colour               | Grey                        |
| Protection category          | IP33                        |
| Connection                   | Screw terminals             |
| cross-sectional area maximum | 1,50mm <sup>2</sup> / 16AWG |
| Cable entry                  | Through hole                |
| Cable entry maximum          | d = 9 mm                    |
| Type of fixing               | Wall mounting               |
| Working temperature minimum  | -20°C                       |
| Working temperature maximum  | +50°C                       |
| Weight with packaging        | 139 g                       |
| Product weight               | 113 g                       |

**ELECTRICAL DATA**

|                             |                    |
|-----------------------------|--------------------|
| Operating voltage           | 12-24V             |
| Operating voltage type      | DC                 |
| Operating voltage tolerance | +/- 10%            |
| Rated operational voltage   | 24 VDC             |
| Rated operational current   | 80 mA              |
| Rated inrush current        | <500mA             |
| Protection class            | Protection class 3 |
| Pollution degree            | 2                  |
| Request to external PSU     | SELV/PELV          |

**ACOUSTIC DATA**

|                             |                 |
|-----------------------------|-----------------|
| Volume (max) at 1m distance | 105,0 dB (A)    |
| Number of tones             | 4 tone          |
| Acoustic service life       | 1,000 h minimum |

**APPROVAL DATA**

|                              |     |
|------------------------------|-----|
| Conforms with CE             | Yes |
| Conforms with RoHS directive | Yes |
| WEEE                         | Yes |
| Conforms with ATEX-directive | No  |
| Conforms with CCC            | No  |
| Conforms with UL             | No  |
| Conforms with FCC            | No  |

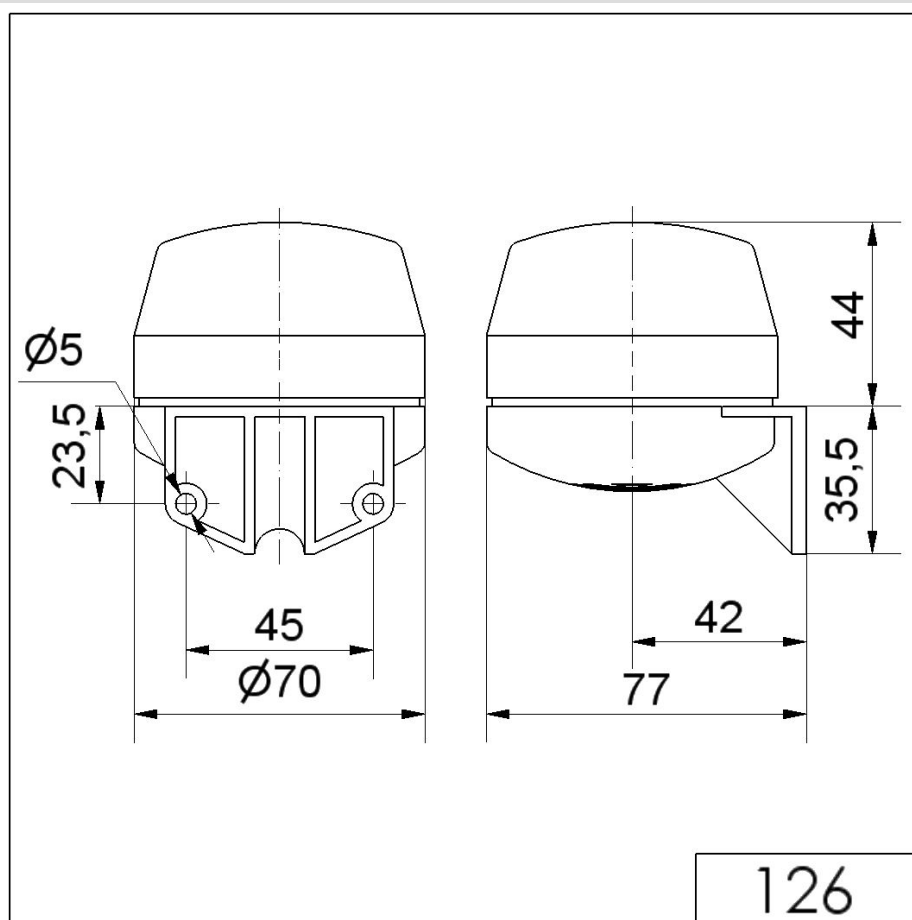
**!** For additional installation and mounting information, refer to the appropriate user guide at [www.werma.com](http://www.werma.com). This printed copy is for information only and is subject to alteration.

Midi Horns and Sirens / Electronic Multi-Tone Sounders 126

**Multi-t.sounder WM 4 tne 12-24VDC GY**

|                               |                       |
|-------------------------------|-----------------------|
| Conforms with IC              | No                    |
| EAC certificate available     | Yes                   |
| Conforms with UKCA (Importer) | Yes (WERMA (UK) Ltd.) |
| Conforms with AS-I            | No                    |
| ICAO Certification            | No                    |
| Conforms with DNV             | No                    |
| Conforms with RoHS CN         | No                    |
| Conforms with VdS             | No                    |

**DRAWING**



! For additional installation and mounting information, refer to the appropriate user guide at [www.werma.com](http://www.werma.com). This printed copy is for information only and is subject to alteration.