

## Mini free-standing Beacons / Permanent Light 219 Permanent Beacon RM 12-230VAC/DC GN



Part No.: 219.200.00



| MECHANICAL DATA              |                             |
|------------------------------|-----------------------------|
| Height                       | 103 mm                      |
| Diameter                     | 57 mm                       |
| Materials                    | PA-GF<br>PC                 |
| Dome colour                  | Green                       |
| Housing colour               | Black                       |
| Protection category          | IP65                        |
| Connection                   | Spring-type terminal        |
| cross-sectional area maximum | 2,50mm <sup>2</sup> / 14AWG |
| Cable entry                  | Through hole                |
| Cable entry maximum          | d = 10 mm                   |
| Type of fixing               | Tube mounting               |
| Working temperature minimum  | -20°C                       |
| Working temperature maximum  | +50°C                       |
| Weight with packaging        | 92 g                        |
| Product weight               | 68 g                        |
| ELECTRICAL DATA              |                             |
| Operating voltage            | 12-230V                     |
| Operating voltage type       | AC/DC                       |
| Protection class             | Protection class 2          |
| Pollution degree             | 3                           |
| Overvoltage category         | II                          |
| Isolation voltage            | Ui = 250V; Uimp = 2.500V    |
| Power illuminant             | max. 10W                    |
| OPTICAL DATA                 |                             |
| Light colour                 | Green                       |
| Service life optical         | depends on bulb             |
| APPROVAL DATA                |                             |
| Conforms with CE             | Yes                         |
| Conforms with RoHS directive | Yes                         |
| WEEE                         | Yes                         |
| Conforms with ATEX-directive | No                          |
| Conforms with CCC            | No                          |
| Conforms with UL             | cULus                       |
| UL Type Rating               | Type 12                     |
| Conforms with FCC            | No                          |

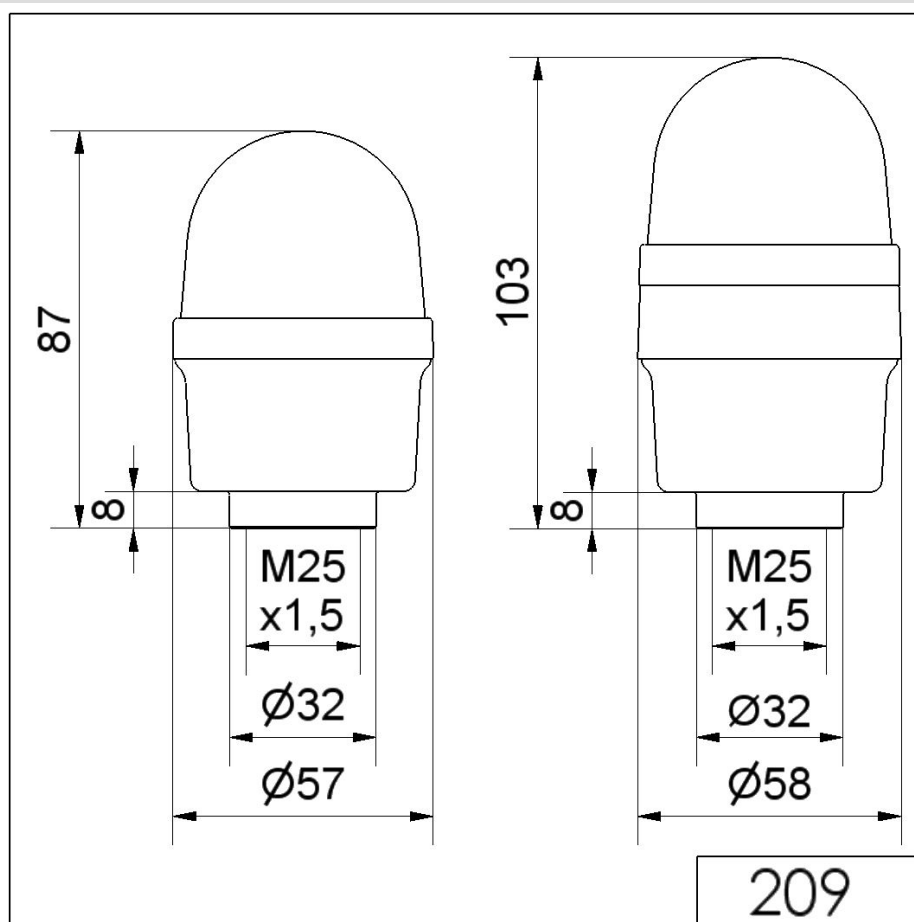


For additional installation and mounting information, refer to the appropriate user guide at [www.werma.com](http://www.werma.com). This printed copy is for information only and is subject to alteration.

Mini free-standing Beacons / Permanent Light 219  
**Permanent Beacon RM 12-230VAC/DC GN**

|                               |                       |
|-------------------------------|-----------------------|
| Conforms with IC              | No                    |
| EAC certificate available     | Yes                   |
| Conforms with UKCA (Importer) | Yes (WERMA (UK) Ltd.) |
| Conforms with AS-I            | No                    |
| ICAO Certification            | No                    |
| Conforms with DNV             | No                    |
| Conforms with RoHS CN         | No                    |
| Conforms with VdS             | No                    |

**DRAWING**



! For additional installation and mounting information, refer to the appropriate user guide at [www.werma.com](http://www.werma.com). This printed copy is for information only and is subject to alteration.