

Midi / LED/Multi-Tone Sounder 432

**LED Siren WM 32 tne 115-230VAC GN**

Part No.: 432.200.60

**MECHANICAL DATA**

|                              |                             |
|------------------------------|-----------------------------|
| Length                       | 144 mm                      |
| Width                        | 134 mm                      |
| Height                       | 235 mm                      |
| Diameter                     | 134 mm                      |
| Materials                    | PC<br>PC/ABS                |
| Dome colour                  | Green                       |
| Housing colour               | Grey                        |
| Protection category          | IP65                        |
| Connection                   | Screw terminals             |
| cross-sectional area maximum | 1,50mm <sup>2</sup> / 16AWG |
| Cable entry                  | Membrane grommet            |
| Cable entry minimum          | d = 1 mm                    |
| Cable entry maximum          | d = 13 mm                   |
| Tension relief               | Present (conforms to VDE)   |
| Type of fixing               | Wall mounting               |
| Working temperature minimum  | -30°C                       |
| Working temperature maximum  | +50°C                       |
| Weight with packaging        | 680 g                       |
| Product weight               | 536 g                       |

**ELECTRICAL DATA**

|                             |                              |
|-----------------------------|------------------------------|
| Operating voltage           | 115-230V                     |
| Operating voltage type      | AC                           |
| Operating voltage frequency | 50Hz at 230V<br>60Hz at 115V |
| Operating voltage tolerance | +/- 10%                      |
| Rated operational voltage   | 230 VAC                      |
| Rated operational current   | 155 mA                       |
| Rated inrush current        | 400 mA                       |
| Protection class            | Protection class 2           |
| Pollution degree            | 3                            |
| Overvoltage category        | II                           |
| Isolation voltage           | Ui = 250V; Uimp = 2.500V     |

**OPTICAL DATA**

|                      |           |
|----------------------|-----------|
| Light source         | LED       |
| Light colour         | Green     |
| Optical signal image | Permanent |



For additional installation and mounting information, refer to the appropriate user guide at [www.werma.com](http://www.werma.com). This printed copy is for information only and is subject to alteration.

Midi / LED/Multi-Tone Sounder 432

**LED Siren WM 32 tne 115-230VAC GN**

|                      |                  |
|----------------------|------------------|
| Service life optical | 50,000 h maximum |
|----------------------|------------------|

**ACOUSTIC DATA**

|                             |                 |
|-----------------------------|-----------------|
| Volume (max) at 1m distance | 108,0 dB (A)    |
| Acoustic signal image       | Multi-tone      |
| Number of tones             | 32 tone         |
| Acoustic service life       | 5,000 h minimum |

**APPROVAL DATA**

|                               |                       |
|-------------------------------|-----------------------|
| Conforms with CE              | Yes                   |
| Conforms with RoHS directive  | Yes                   |
| WEEE                          | Yes                   |
| Conforms with ATEX-directive  | No                    |
| Conforms with CCC             | No                    |
| Conforms with UL              | cULus                 |
| UL Type Rating                | Type 12               |
| Conforms with FCC             | No                    |
| Conforms with IC              | No                    |
| EAC certificate available     | Yes                   |
| Conforms with UKCA (Importer) | Yes (WERMA (UK) Ltd.) |
| Conforms with CMIM            | No                    |
| Conforms with AS-I            | No                    |
| ICAO Certification            | No                    |
| Conforms with DNV             | No                    |
| Conforms with RoHS CN         | No                    |
| Conforms with VdS             | No                    |

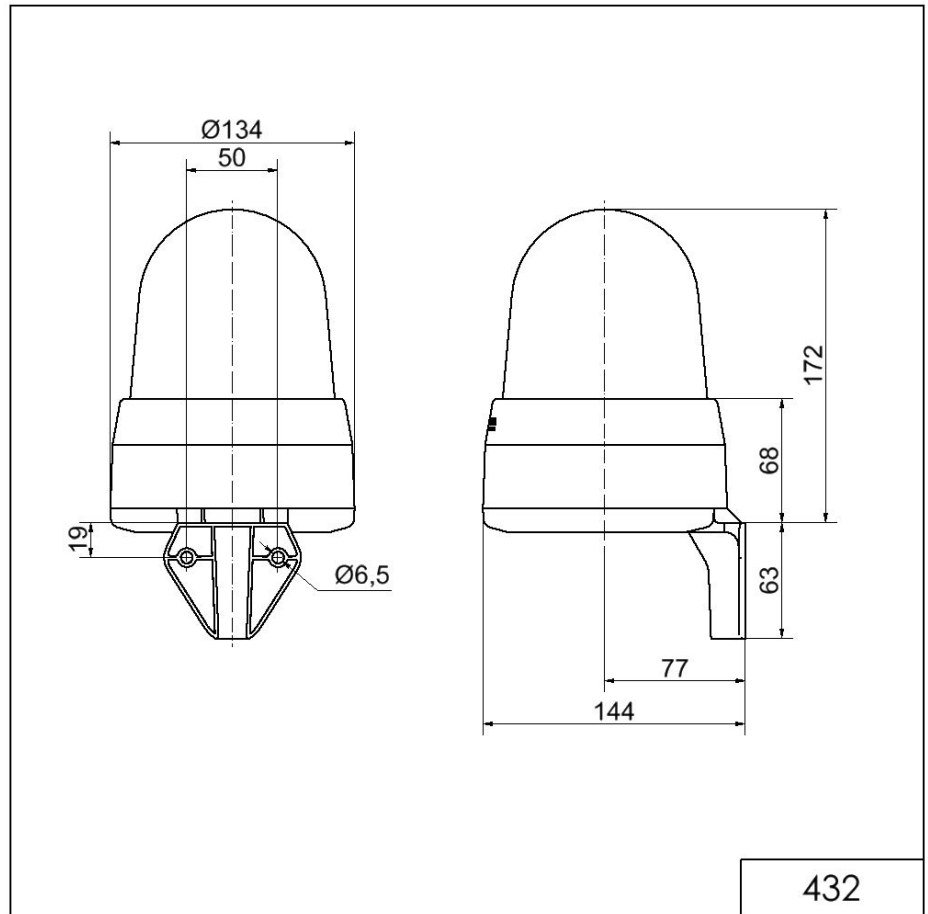


For additional installation and mounting information, refer to the appropriate user guide at [www.werma.com](http://www.werma.com). This printed copy is for information only and is subject to alteration.

Midi / LED/Multi-Tone Sounder 432

**LED Siren WM 32 tne 115-230VAC GN**

**DRAWING**



 For additional installation and mounting information, refer to the appropriate user guide at [www.werma.com](http://www.werma.com). This printed copy is for information only and is subject to alteration.