

Midi / LED/Multi-Tone Sounder 432

LED Siren WM 32 tne 115-230VAC BU

Part No.: 432.500.60

**MECHANICAL DATA**

| | |
|------------------------------|-----------------------------|
| Length | 144 mm |
| Width | 134 mm |
| Height | 235 mm |
| Diameter | 134 mm |
| Materials | PC PC/ABS |
| Dome colour | Blue |
| Housing colour | Grey |
| Protection category | IP65 |
| Connection | Screw terminals |
| cross-sectional area maximum | 1,50mm ² / 16AWG |
| Cable entry | Membrane grommet |
| Cable entry minimum | d = 1 mm |
| Cable entry maximum | d = 13 mm |
| Tension relief | Present (conforms to VDE) |
| Type of fixing | Wall mounting |
| Working temperature minimum | -30°C |
| Working temperature maximum | +50°C |
| Weight with packaging | 680 g |
| Product weight | 536 g |

ELECTRICAL DATA

| | |
|-----------------------------|------------------------------|
| Operating voltage | 115-230V |
| Operating voltage type | AC |
| Operating voltage frequency | 50Hz at 230V 60Hz at 115V |
| Operating voltage tolerance | +/- 10% |
| Rated operational voltage | 230 VAC |
| Rated operational current | 155 mA |
| Rated inrush current | 400 mA |
| Protection class | Protection class 2 |
| Pollution degree | 3 |
| Overtoltage category | II |
| Isolation voltage | Ui = 250V; Uimp = 2.500V |

OPTICAL DATA

| | |
|----------------------|-----------|
| Light source | LED |
| Light colour | Blue |
| Optical signal image | Permanent |



For additional installation and mounting information, refer to the appropriate user guide at www.werma.com. This printed copy is for information only and is subject to alteration.

Midi / LED/Multi-Tone Sounder 432

LED Siren WM 32 tne 115-230VAC BU

| | |
|-------------------------------|-----------------------|
| Service life optical | 50,000 h maximum |
| ACOUSTIC DATA | |
| Volume (max) at 1m distance | 108,0 dB (A) |
| Acoustic signal image | Multi-tone |
| Number of tones | 32 tone |
| Acoustic service life | 5,000 h minimum |
| APPROVAL DATA | |
| Conforms with CE | Yes |
| Conforms with RoHS directive | Yes |
| WEEE | Yes |
| Conforms with ATEX-directive | No |
| Conforms with CCC | No |
| Conforms with UL | cULus |
| UL Type Rating | Type 12 |
| Conforms with FCC | No |
| Conforms with IC | No |
| EAC certificate available | Yes |
| Conforms with UKCA (Importer) | Yes (WERMA (UK) Ltd.) |
| Conforms with CMIM | No |
| Conforms with AS-I | No |
| ICAO Certification | No |
| Conforms with DNV | No |
| Conforms with RoHS CN | No |
| Conforms with VdS | No |

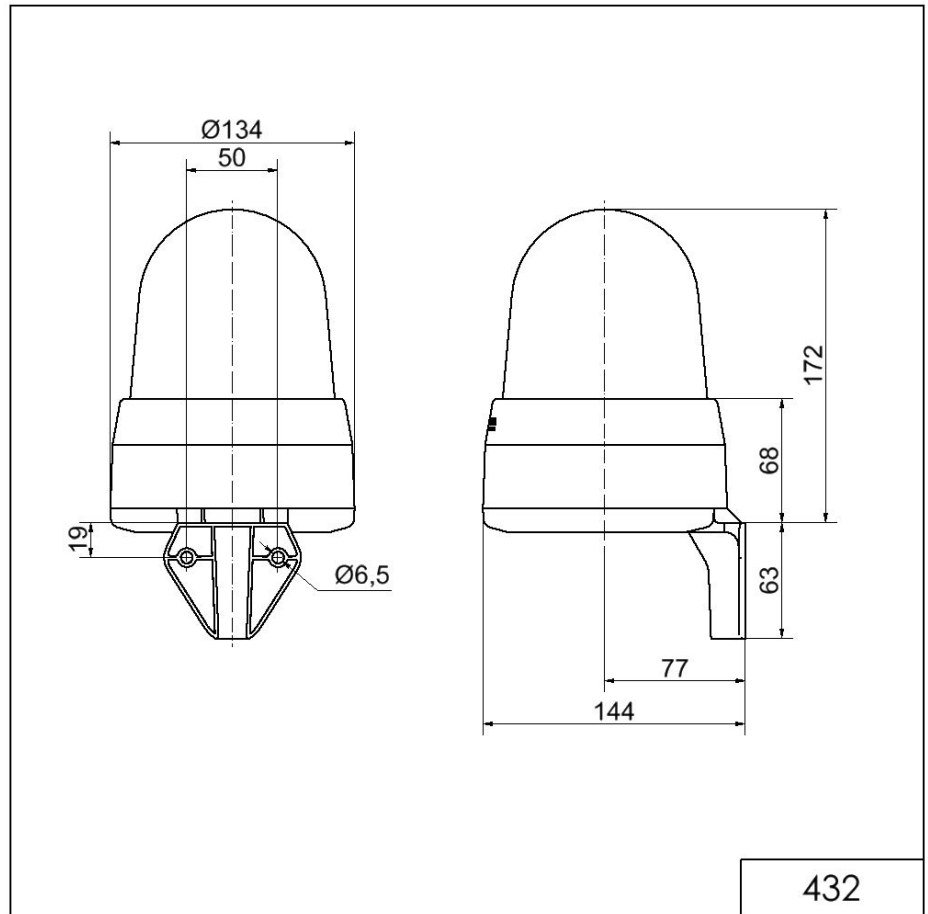


For additional installation and mounting information, refer to the appropriate user guide at www.werma.com. This printed copy is for information only and is subject to alteration.

Midi / LED/Multi-Tone Sounder 432

LED Siren WM 32 tne 115-230VAC BU

DRAWING



For additional installation and mounting information, refer to the appropriate user guide at www.werma.com. This printed copy is for information only and is subject to alteration.