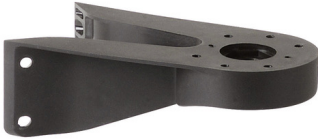


KombiSIGN 71 / Accessories

## Fixing bracket WM BK



**Part No.:** 960.000.41

### MECHANICAL DATA

Length	149 mm
Width	80 mm
Height	50 mm
Materials	PA-GF
Housing colour	Black
Weight with packaging	90 g
Product weight	90 g

### APPROVAL DATA

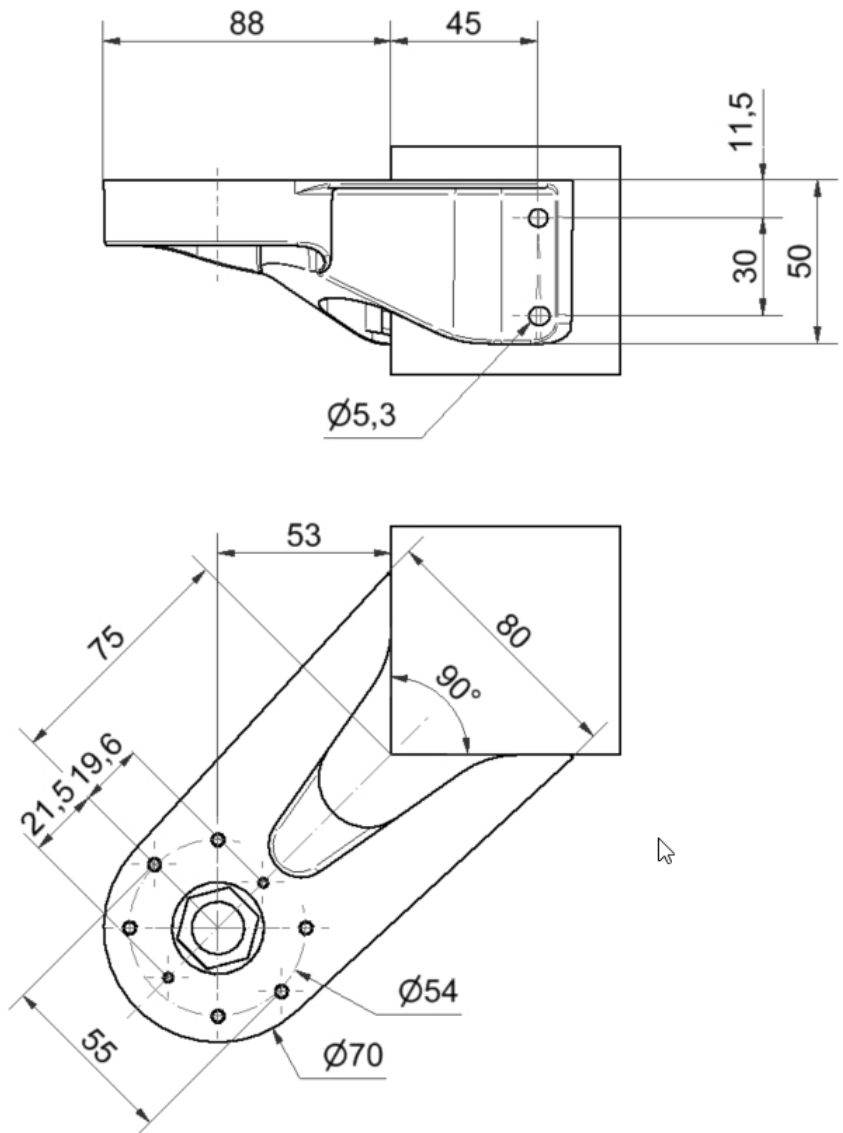
Conforms with RoHS directive	Fulfills substance restriction
WEEE	No
Conforms with ATEX-directive	No
Conforms with CCC	No
Conforms with UL	No
Conforms with FCC	No
Conforms with IC	No
EAC certificate available	No
Conforms with AS-I	No
ICAO Certification	No
Conforms with DNV	No
Conforms with RoHS CN	No



For additional installation and mounting information, refer to the appropriate user guide at [www.werma.com](http://www.werma.com). This printed copy is for information only and is subject to alteration.

KombiSIGN 71 / Accessories  
**Fixing bracket WM BK**

**DRAWING**



**!** For additional installation and mounting information, refer to the appropriate user guide at [www.werma.com](http://www.werma.com). This printed copy is for information only and is subject to alteration.