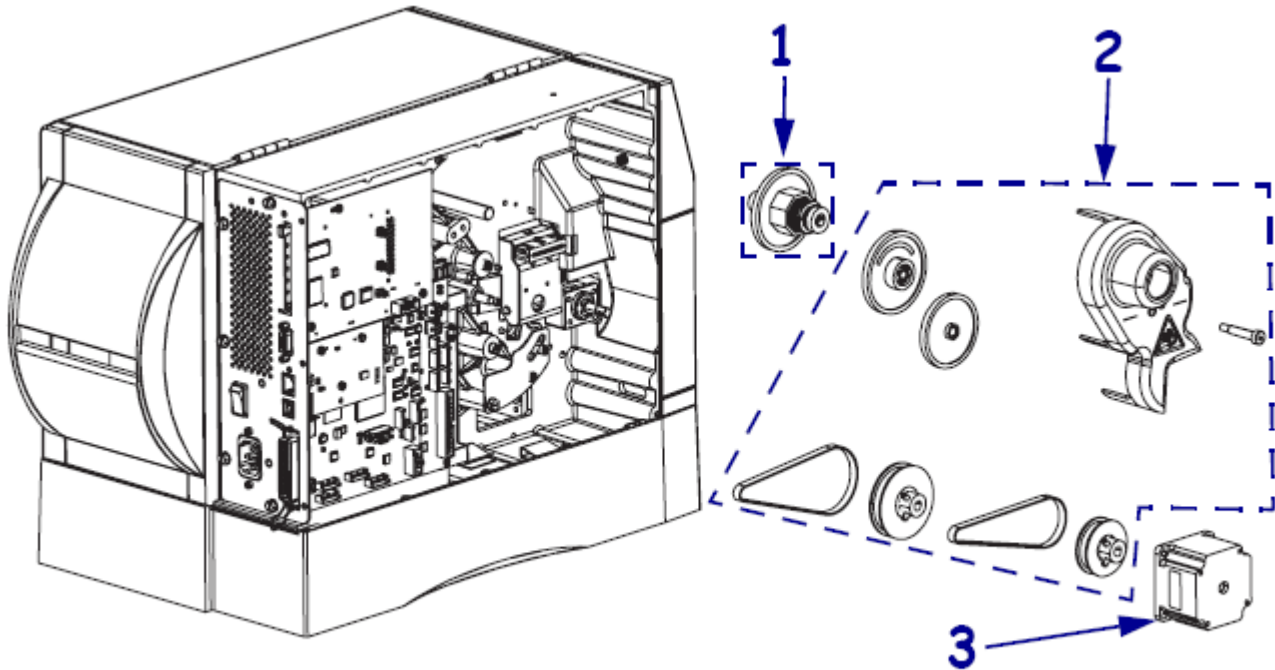








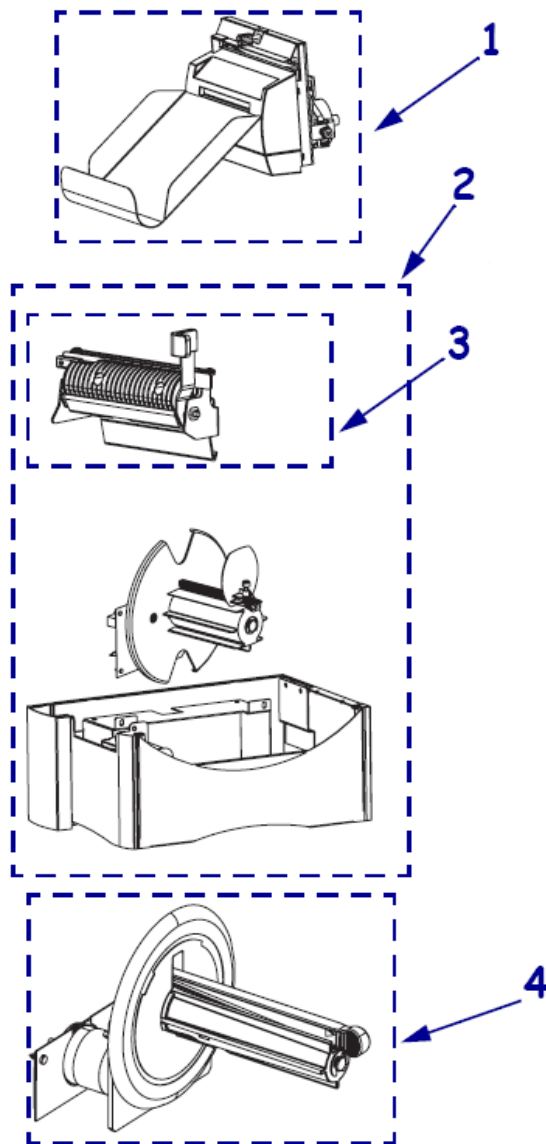


**Drive System**


Item Number	Description	Part Number	Kit Quantity
1	Kit Ribbon Take-Up Clutch ZMx00	77814M	1
2	Kit Drive System ZMx00 Series (includes pulleys, gears, belts, gear cover)	79818M	1
3	Kit Stepper Motor Assy ZMx00	G77813M	1
	Kit Drive Belt 203 dpi ZMx00	79866M	1
	Kit Drive Belt for 300 dpi AND 600 dpi ZMx00	79867M	1



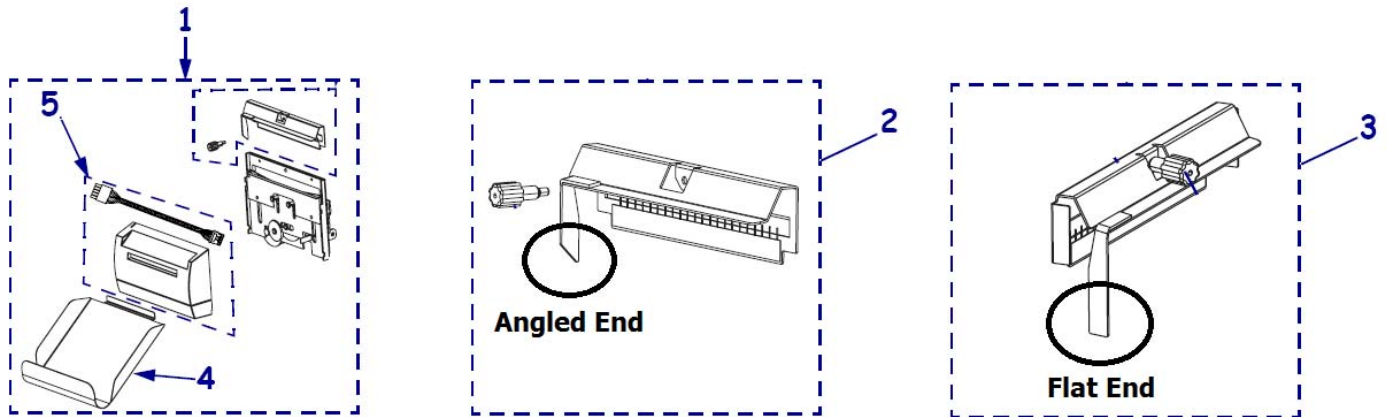


**Media Handling Options**


Item Number	Description	Part Number	Kit Quantity
1	Kit Cutter Option ZM400	79841	1
1	Kit Cutter Option ZM600	79842	1
2	Kit Option Media Rewind & Peel unit in one kit ZM400	79835	1
2	Kit Option Media Rewind & Peel unit in one kit ZM600	79836	1
3	Kit Peel Unit ZM400	79831M	1
3	Kit Peel Unit ZM600	79832M	1
4	Kit Liner TakeUp Spindle & Motor ZM400 only (not offered on ZM600)	79868M	1



**Cutter Replacement Parts**



Item Number	Description	Part Number	Kit Quantity
1	Kit Option Cutter ZM400	79841	1
1	Kit Option Cutter ZM600	79842	1
2	Kit Replacement Static Brush & Cutter Guard with the Angled End Sensor Flag (old design) ZM400. Order this replacement item if the printer currently has an Angled End cutter guard installed.	79864M	1
2	Kit Replacement Static Brush & Cutter Guard with the Angled End Sensor Flag (old design) ZM600. Order this replacement item if the printer currently has an Angled End cutter guard installed.	79865M	1
3	Kit Replacement Static Brush & Cutter Guard with the Flat End Sensor Flag (new design) ZM400. Order this replacement item if the printer currently has a Flat End cutter guard installed.	P1066612	1
3	Kit Replacement Static Brush & Cutter Guard with the Flat End Sensor Flag (new design) ZM600. Order this replacement item if the printer currently has a Flat End cutter guard installed.	P1066613	1
4	Cutter Catch Tray ZM400	77041	1
4	Cutter Catch Tray ZM600	77997	1
5	Kit Cover for the Cutter includes PCBA and cutter cable ZM400. When installing the cover & PCBA included in this kit, be sure to install the Flat End cutter guard that is included with this kit at the same time. The PCBA included in this kit is only compatible with Flat End cutter guard that is included in this kit.	P1066609	1
5	Kit Cover for the Cutter includes PCBA and cutter cable ZM600. When installing the cover & PCBA included in this kit, be sure to install the Flat End cutter guard that is included with this kit at the same time. The PCBA included in this kit is only compatible with Flat End cutter guard that is included in this kit.	P1066611	1

**Media Rewind/Liner Take-Up/Peel Unit Replacement Parts**

<b>Item Number</b>	<b>Description</b>	<b>Part Number</b>	<b>Kit Quantity</b>
	Kit Peel Unit Pinch Roller ZM400 & S4M	77197M	1
	Kit Peel Unit Pinch Roller ZM600	77727M	1
	Kit Media Rewind Outer Guard ZMx00	77459M	1
	Kit Cable Media Rewind ZMx00 Series	79827M	1
	Kit Steer Roller for Media Rewind ZM400	G77167M	1
	Kit Steer Roller for Media Rewind ZM600	G77168M	1
	Kit Media Rewind Spindle and PCB with Motor ZM400	G79026M	1
	Kit Media Rewind Spindle and PCB with Motor ZM600	G79026-6M	1
	Kit PCB with Motor for Media Rewind ZM400	G34110M	1
	Kit PCB with Motor for Media Rewind ZM600	G34111M	1
	Kit PCB with Motor for LTU ZM400	G34112M	1

**Packing Materials for Printer Shipping**

Item Number	Description	Part Number	Kit Quantity
	Packing Materials Qty of 1 ZM400	77128PM	1
	Packing Materials Qty of 10 ZM400	77128PBM	10
	Packing Materials Qty of 1 ZM600	77129PM	1
	Packing Materials Qty of 10 ZM600	G77129PBM	10
	Packing Materials for Media Rewind versions of ZM400 Qty of 1	G77932PM	1
	Packing Materials Qty of 10 Media Rewind versions ZM400	G77932PBM	10
	Packing Materials for Media Rewind versions of ZM600 Qty of 1	G77933PM	1
	Packing Materials Qty of 10 Media Rewind ZM600	G77933PBM	10

**Hardware**

Item Number	Description	Part Number	Kit Quantity
	Screw M4 x 0.7 x 10, Qty of 5	HW78814	5
	Screw for mounting the Printhead Qty of 5	HW77047	5
	Lock Washer 4mm Bag of 25	HW43482	25
	Screw M3 x 0.5 x 6, Qty of 50	HW78805	50
	Washer Split M3, Qty of 50	HW10471	50
	E Ring Ext .375 Yel, Qty of 25	HW06313	25
	Washer FI M3, Qty of 50	HW10470	50
	Screw M4 x 0.7 x 12, Qty of 25	HW10432	25
	Washer Split M4, Qty of 25	HW45931	25
	Ground Screw Spacer, RTU Qty of 25	HW33807	25
	Screw M3 X 0.5 X 6 Bag of 25	HW78809	25
	Cable Tie (Quantity of 20)	HWQ06020	20
	Flat Washer .250 .125 .023 bag of 25	HW79041	25
	Flat Washer 4mm Bag of 25	HW78806	25
	Screw M3 x .5 x 6, Qty of 50	HW78804	50
	Screw 4-40 x .31, Qty of 25	HW78802	25
	Standoff 4-40 HEX, Qty of 25	HW32406	25
	Washer Lock #4, Qty of 100	HW45945	100
	Nut Hex M3, Qty of 25	HW10460	25
	Rubber Bumper Feet, Qty of 10	HW44014	10