

Electronic Components

# PRODUCT CATALOG



常利興業股份有限公司  
COMFORTABLE ELECTRONIC CO., LTD.

# COMPANY PROFILE

**Comfortable Electronic Co., Ltd. (COMF) specializes in the production of Battery Holders, Battery Snaps and Plastic Injection Molding. Over the years, COMF has actively extended their product offering to include Coin Cell Holders, Battery Clips, Battery Contacts and Wire Assemblies. Always aiming to meet the client's need, COMF offers the best solution for design, development and production.**

**COMF has been a professional component manufacturer and designer for over 40 years, constantly developing and refining our products through our R&D team. We strive to provide quality at all levels of our organization and were an early adopter of ISO 9001 and ISO 14001 certification for our factories. Our products also comply to many international and regional standards such as RoHS and REACH. The Safety Battery Holders and the Battery Snaps innovated and made by us are patented in China, Japan, Thailand, Vietnam, New Zealand, Singapore, Malaysia, Taiwan, United States of America, United Kingdom and Germany.**

**Due to the good relations in regional ASEAN markets, COMF cooperated with a local company in Indonesia in 2011 and went into operation next year. Furthermore, 2014 economic benefits reached the target as we expected. For sustainable business, COMF expands the R&D team in Taiwan and will keep investing into the future.**

常利興業以電池盒、電池扣及塑膠射出起家，近年來積極跨入周邊產品，如鋰電池盒、端子、連接器、五金彈片與線束產品。除提供標準化產品外，亦可依客戶需求，進行設計、開發與生產。

常利興業已有40年餘專業設計及製造經驗，通過ISO9001、ISO14001認證；並符合RoHS及REACH歐盟環保認證。常利興業不斷投入多款產品改良與研發，自80年起陸續取得英國、美國、日本、德國、泰國、越南、紐西蘭、新加坡、馬來西亞、中國、及台灣等多項專利權。

因應東協市場發展，及中國製造成本提高，常利興業自2011年與印尼廠商合作，並於2012開始投產。初步預期經濟效益已於2014年底達成。為達到永續經營，常利興業持續擴充工程人員與投資自動化生產設備項目，計畫在台擴充研發團隊與生產項目。



# PRODUCT SPOTLIGHT



CONTENTS	PAGE
UM-1 Battery Holder	.....01
UM-2 Battery Holder	.....03
UM-3 Battery Holder	.....05
UM-4 Battery Holder	.....09
UM-5 Battery Holder	.....11
Other Battery Holder	.....12
Battery Holder Contact	.....13
Safety Battery Holder	.....15
Coin Cell Holder	.....20
Battery Snap	.....23
Battery Clips	.....26
Battery Contacts	.....29
Wire Harness	.....36

## HOW TO USE THIS CATALOG

### 電池盒電池釦號碼讀法如下圖所示

The method of reading the battery holder number is as shown below.  
(Example)



The method of reading the battery snap number is as shown below.  
(Example)



TYPE	CRIMPING				CT-CRIMPING			
	PVC.VINYL	RIGID		SAFETY	PVC.VINYL	RIGID		SAFETY
I	BS-IC	BS-IR	BS-IR-1	SBS-IR-1	BS-ICCT	BS-IRCT	BS-IRCT-1	SBS-IRCT-1
E	BS-EC	BS-ER	BS-ER-1	SBS-ER	BS-ECCT	BS-ERCT	BS-ERCT-1	SBS-ERCT
T	BS-TC	BS-TR			BS-TCCT	BS-TRCT		
P	BS-PC				BS-PCCT			

## Patents:

Enclosed Battery Holder  
Cylindrical Terminal Rivet and Battery Snap  
Charger with Replaceable Signal Line for a Car  
USB Power Pack and Charge  
Battery Case Having Retaining Function  
Waterproof Battery Case  
Battery Case and Electrode Plate Set for Use in the Same



## Product Series:

### Battery Holder:

Offering the variety of battery size-- D, C, AA, AAA, N, 9V, 1/2AA, 123A, 18650.

### Coin Cell Holder:

Offering the variety of lithium cell size--  $\varnothing 12$ ,  $\varnothing 16$ ,  $\varnothing 20$ ,  $\varnothing 23$ ,  $\varnothing 24$ .

### Battery Snap:

Offering the standard / customized snaps for 9V cell.

### Battery Clip and Contact:

Offering the variety of battery clip for the coin cell size  
 $\varnothing 4.8$ ,  $\varnothing 6.8$ ,  $\varnothing 12$ ,  $\varnothing 16$ ,  $\varnothing 20$ ,  $\varnothing 24$  and battery contacts.

### Wire Harness and Assemblies

Offering OEM services to meet the demand of each customer.



## 新型專利產品:



電池盒類：封閉式電池盒·具固定功能之電池盒、防水電池盒。  
端子類及其應用：套筒式端鉚釘及其對應之電池扣、電池盒及其極片組。  
充電器類：隨身充電盒·可更換式訊號線的車用充電裝置。  
生產設備類：絲帶裁線機。

### 電池盒系列產品

提供D, C, AA, AAA, N, 9V, 1/2AA, 123A, 18650等不同電池規格與數量之塑膠類電池盒。

### 鋰電池盒系列產品

提供  $\varnothing 12$ ,  $\varnothing 16$ ,  $\varnothing 20$ ,  $\varnothing 23$ ,  $\varnothing 24$ , 等不同直徑之塑膠鋰電池盒。

### 電池扣系列產品

針對9V電池提供標準與客製電池扣。

### 金屬彈夾及金屬彈片

提供  $\varnothing 4.8$ ,  $\varnothing 6.8$ ,  $\varnothing 12$ ,  $\varnothing 16$ ,  $\varnothing 20$ ,  $\varnothing 24$ 等不同直徑規格之金屬彈夾；  
提供凸包式、彈簧式、舌片式各類金屬彈片。

### 線束線組系列產品

依客戶需求進行生產·並附加其他輸出或控制元件。




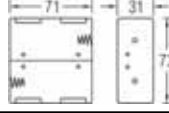
**BH111-1A**  
**BH111-1D** FOR ONE "D" CELL




**BH121-1A**  
**BH121-1B**  
**BH121-1D** FOR TWO "D" CELLS




**BH121-1AS**  
**BH121-1DS**  
**BH121-1P** FOR TWO "D" CELLS

**BH125A**  
**BH125D** FOR TWO "D" CELLS




**BH131A**  
**BH131B**  
**BH131D** FOR THREE "D" CELLS




**BH132A**  
**BH132D** FOR THREE "D" CELLS




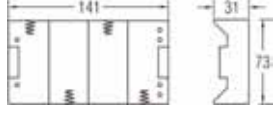

**BH141A**  
**BH141D** FOR FOUR "D" CELLS




**BH142-1A**  
**BH142-1B**  
**BH142-1D** FOR FOUR "D" CELLS




**BH143-1A**  
**BH143-1D** FOR FOUR "D" CELLS

**BH143-2A**  
**BH143-2D** FOR FOUR "D" CELLS

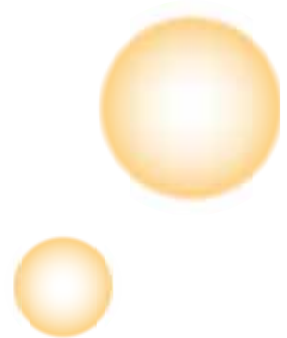
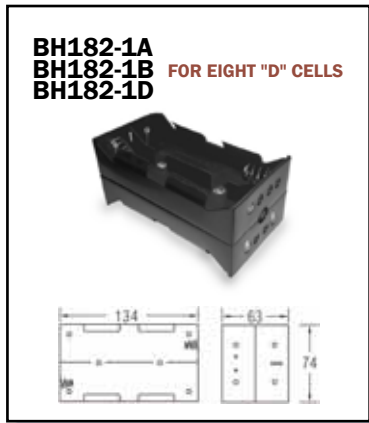



**BH143-3A**  
**BH143-3D** FOR FOUR "D" CELLS **NEW**




**BH144-1A**  
**BH144-1B**  
**BH144-1D** FOR FOUR "D" CELLS



# UM- 2 or 'C' SIZE or EQUIV

**BH211-1A**  
**BH211-1D** FOR ONE "C" CELL




**BH211-2A**  
**BH211-2D** FOR ONE "C" CELL




**BH221A**  
**BH221B**  
**BH211D** FOR TWO "C" CELLS




**BH221-1A**  
**BH221-1B**  
**BH221-1D** FOR TWO "C" CELLS




**BH225A**  
**BH225D** FOR TWO "C" CELLS




**BH231A**  
**BH231D**  
**BH231P** FOR THREE "C" CELLS




**BH232A**  
**BH232B**  
**BH232D** FOR THREE "C" CELLS




**BH241A**  
**BH241D** FOR FOUR "C" CELLS





**BH242-1A**  
**BH242-1B**  
**BH242-1D** FOR FOUR "C" CELLS




**BH242-2A**  
**BH242-2B**  
**BH242-2D** FOR FOUR "C" CELLS




**BH243A**  
**BH243B**  
**BH243D** FOR FOUR "C" CELLS




**BH261A**  
**BH261B**  
**BH261D** FOR SIX "C" CELLS




**BH262A  
BH262B  
BH263D** FOR SIX "C" CELLS



**BH281A  
BH281B  
BH281D** FOR EIGHT "C" CELLS



**BH282-1A  
BH282-1B  
BH282-1D** FOR EIGHT "C" CELLS





# UM- 3 or 'AA' SIZE or EQUIV

**BH311-1A**  
**BH311-1D**  
**BH311-1P** FOR ONE "AA" CELL




**BH311-2A**  
**BH311-2D**  
**BH311-2P** FOR ONE "AA" CELL




**BH311-3A**  
**BH311-3D**  
**BH311-3P** FOR ONE "AA" CELL




**BH321-1A**  
**BH321-1B**  
**BH321-1D**  
**BH321-1P** FOR TWO "AA" CELLS




**BH321-1AS**  
**BH321-1DS** FOR TWO "AA" CELLS




**BH321-2A, AS**  
**BH321-2D**  
**BH321-2P** FOR TWO "AA" CELLS




**BH321-3A**  
**BH321-3D**  
**BH321-3P** FOR TWO "AA" CELLS




**BH321-4A**  
**BH321-4D**  
**BH321-4P** FOR TWO "AA" CELLS




**BH321-5A**  
**BH321-5B**  
**BH321-5D**  
**BH321-5P** FOR TWO "AA" CELLS




**BH322-1A**  
**BH322-1B**  
**BH322-1D** FOR TWO "AA" CELLS




**BH324A**  
**BH324D** FOR TWO "AA" CELLS




**BH325A**  
**BH325AS** FOR TWO "AA" CELLS




**BH325-1A**  
**BH325-1AS** FOR TWO "AA" CELLS




**BH331-2A**  
**BH331-2B** FOR THREE "AA" CELLS  
**BH331-2D**  
**BH331-2P**




**BH331-3A**  
**BH331-3B** FOR THREE "AA" CELLS  
**BH331-3D**  
**BH331-3P**




**BH332A** FOR THREE "AA" CELLS




**BH333A**  
**BH333D** FOR THREE "AA" CELLS  
**BH333P**




**BH341-1A**  
**BH341-1B** FOR FOUR "AA" CELLS  
**BH341-1D**  
**BH341-1P**




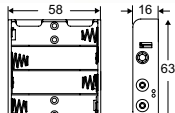

**BH341-2A**  
**BH341-2B** FOR FOUR "AA" CELLS  
**BH341-2D**  
**BH341-2P**




**BH341-3A**  
**BH341-3B** FOR FOUR "AA" CELLS  
**BH341-3D**  
**BH341-3P**




**BH341-4A**  
**BH341-4B** FOR FOUR "AA" CELLS  
**BH341-4D**  
**BH341-4P** **NEW**

**BH341-6A**  
**BH341-6B** FOR FOUR "AA" CELLS  
**BH341-6D**  
**BH341-6P** **NEW**




**BH342-1A**  
**BH342-1B** FOR FOUR "AA" CELLS  
**BH342-1D**




**BH343-1A**  
**BH343-1B** FOR FOUR "AA" CELLS  
**BH343-1D**




# UM- 3 or 'AA' SIZE or EQUIV

**BH343-2A**  
**BH343-2B** FOR FOUR "AA" CELLS  
**BH343-2D**




**BH343-3A**  
**BH343-3B** FOR FOUR "AA" CELLS  
**BH343-3D**




**BH344A**  
**BH344B** FOR FOUR "AA" CELLS  
**BH344D**  
**BH344P**




**BH351A**  
**BH351B** FOR FIVE "AA" CELLS  
**BH351D**




**BH361A**  
**BH361B** FOR SIX "AA" CELLS  
**BH361D**




**BH362A**  
**BH362B** FOR SIX "AA" CELLS  
**BH362D**  
**BH362P**




**BH363-1A**  
**BH363-1B** FOR SIX "AA" CELLS  
**BH363-1D**




**BH364A**  
**BH364D** FOR SIX "AA" CELLS




**BH365A**  
**BH365B** FOR SIX "AA" CELLS  
**BH365D**




**BH381A**  
**BH381B** FOR EIGHT "AA" CELLS  
**BH381D**




**BH381-2A**  
**BH381-2B** FOR EIGHT "AA" CELLS  
**BH381-2D**




**BH381-3A**  
**BH381-3B** FOR EIGHT "AA" CELLS  
**BH381-3D** NEW






# UM- 4 or 'AAA' SIZE or EQUIV

**BH411-2A  
BH411-2D  
BH411-2P** FOR ONE "AAA" CELL




**BH411-3A  
BH411-3D  
BH411-3P** FOR ONE "AAA" CELL




**BH411-4A  
BH411-4D  
BH411-4P** FOR ONE "AAA" CELL




**BH421A  
BH421B  
BH421D  
BH421P** FOR TWO "AAA" CELLS




**BH421-1A  
BH421-1B  
BH421-1D  
BH421-1P** FOR TWO "AAA" CELLS




**BH421-3A  
BH421-3B  
BH421-3D  
BH421-3P** FOR TWO "AAA" CELLS




**BH421-4A  
BH421-4B  
BH421-4D  
BH421-4P** FOR TWO "AAA" CELLS




**BH422A  
BH422B  
BH422D** FOR TWO "AAA" CELLS




**BH422-1A  
BH422-1B  
BH422-1D** FOR TWO "AAA" CELLS




**BH425A  
BH425D  
BH425P** FOR TWO "AAA" CELLS




**BH431-1A  
BH431-1B  
BH431-1D  
BH431-1P** FOR THREE "AAA" CELLS




**BH432** FOR THREE "AAA" CELLS






# UM- 5 or 'N' SIZE or EQUIV

**BH511-2A**  
**BH511-2D**  
**BH511-2P** FOR ONE "N" CELL



**BH511-3A**  
**BH511-3D**  
**BH511-3P** FOR ONE "N" CELL



**BH511-4A**  
**BH511-4D**  
**BH511-4P** FOR ONE "N" CELL



**BH521A**  
**BH521D**  
**BH521P** FOR TWO "N" CELLS



**BH522-3A**  
**BH522-3D** FOR TWO "N" CELLS

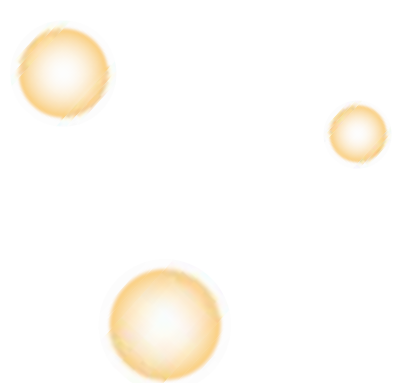
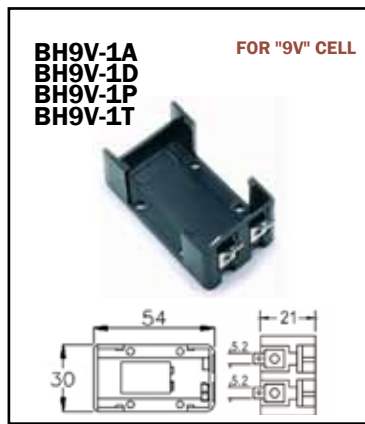


**BH522-4A**  
**BH522-4D** FOR TWO "N" CELLS **NEW**



**BH543A**  
**BH543D** FOR FOUR "N" CELLS







# BATTERY HOLDER CONTACT

SAI ISO 9001  
SAI ISO 14001



## Patent of Battery Holder Contact:

TW PAT NO. M 485568

CH PAT NO. ZL 201420309549.4

GE PAT NO. Nr. 202014007329.5

Patent Applications: US, UK, SG, ID.....

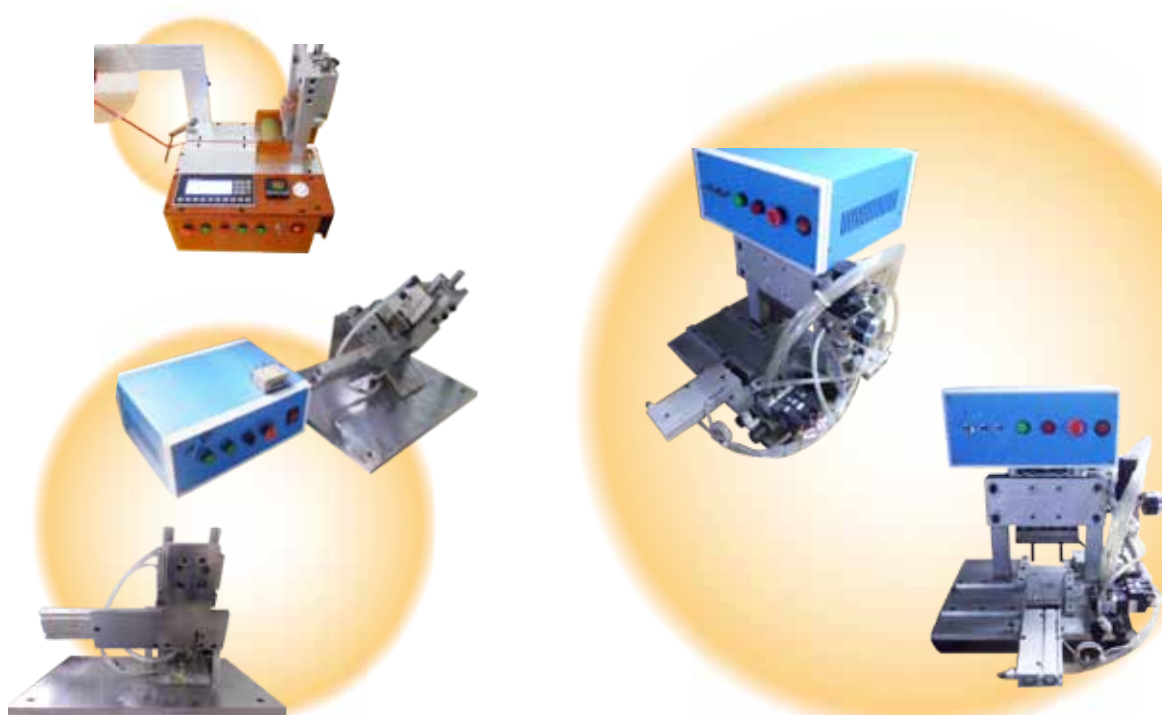


# BATTERY HOLDER CONTACT

SAI ISO 9001  
SAI ISO 14001



## Automatic Machines for Battery Holder Contact



# SAFETY BATTERY HOLDER

SAI ISO 9001  
SAI ISO 14001

**SBH-131A  
SBH-131B  
SBH-131D**

FOR THREE "D" CELLS

**SBH-141A  
SBH-141B  
SBH-141D**

FOR FOUR "D" CELLS

**SBH-221A  
SBH-221AS**

FOR TWO "C" CELLS

**SBH-231A  
SBH-231B  
SBH-231D**

FOR THREE "C" CELLS

**SBH-321-1A  
SBH-321-1AS**

FOR TWO "AA" CELLS

**SBH-321-2A**

FOR TWO "AA" CELLS

# SAFETY BATTERY HOLDER

SAI ISO 9001  
SAI ISO 14001

**SBH-321-3A**  
**SBH-321-3AS**

FOR TWO "AA" CELLS

Bottom

**SBH-321-4A**  
**SBH-321-4AS**  
**SBH-321-4D**  
**SBH-321-4DS**

FOR TWO "AA" CELLS

Bottom

**SBH-331A**  
**SBH-331AS**

FOR THREE "AA" CELLS

Bottom

**SBH-331-2A**  
**SBH-331-2AS**

FOR THREE "AA" CELLS

Bottom

**SBH-341-1A**  
**SBH-341-1AS**

FOR FOUR "AA" CELLS

Bottom

**SBH-341-2A**  
**SBH-341-2AS**

FOR FOUR "AA" CELLS

Bottom

# SAFETY BATTERY HOLDER

SAI ISO 9001  
SAI ISO 14001

**SBH-341-3A  
SBH-341-3AS  
SBH-341-3S/USB**

FOR FOUR "AA" CELLS




**SBH-341-4A  
SBH-341-4AS**

FOR FOUR "AA" CELLS




**SBH-341-5A/  
WATER PROOF**

FOR FOUR "AA" CELLS




**SBH-341-6A/  
WATER PROOF**

FOR FOUR "AA" CELLS

**NEW**




**SBH-361A  
SBH-361D**

FOR SIX "AA" CELLS




**SBH-381A  
SBH-381AS**

FOR EIGHT "AA" CELLS




**SBH-3201S/MV** FOR TWENTY "AA" CELLS

**SBH-421-1A**  
**SBH-421-1AS** FOR TWO "AAA" CELLS

**SBH-421-2A** FOR TWO "AAA" CELLS

**SBH-431A**  
**SBH-431B**  
**SBH-431D**  
**SBH-431P** FOR THREE "AAA" CELLS

**SBH-431-1A**  
**SBH-431-1AS** FOR THREE "AAA" CELLS

**SBH-431-2A**  
**SBH-431-2AS**  
**SBH-431-2S/2LED** FOR THREE "AAA" CELLS

# SAFETY BATTERY HOLDER

SAI ISO 9001  
SAI ISO 14001



**Patent of Waterproof Battery Holder:**  
TW PAT NO. M 523262

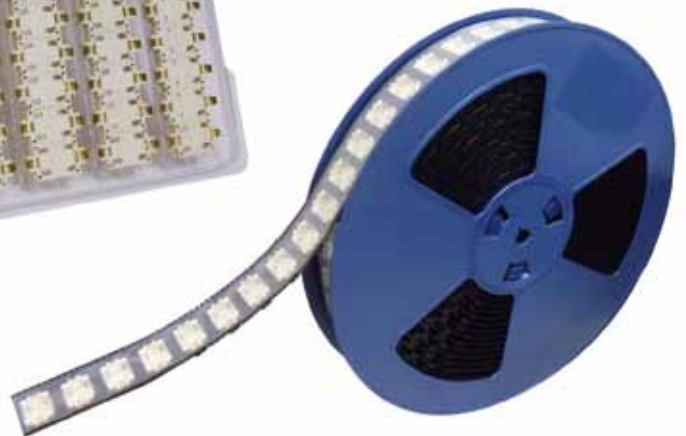


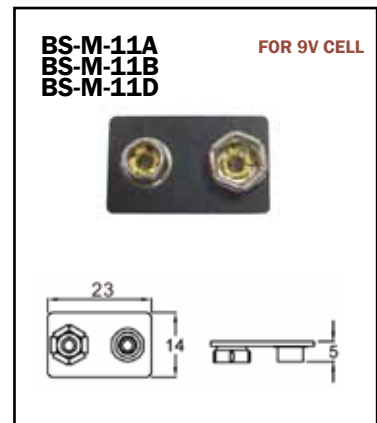
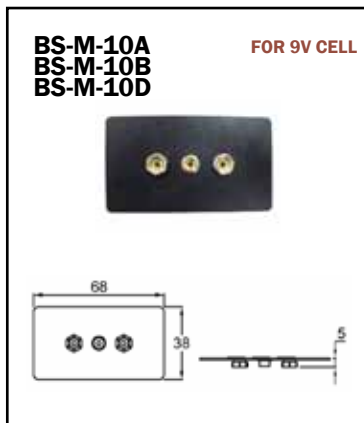
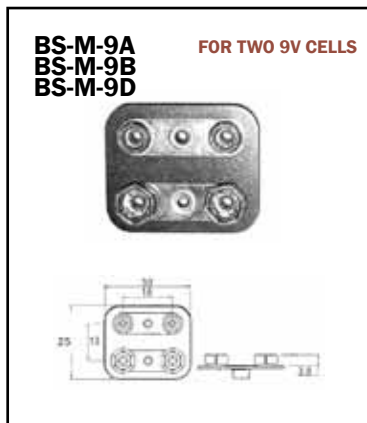
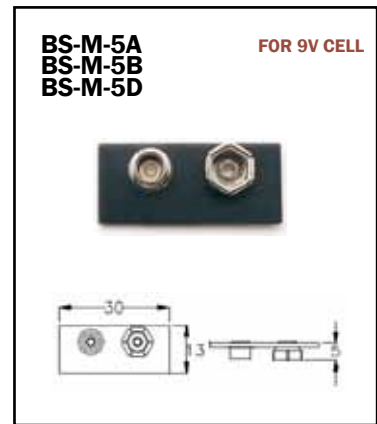
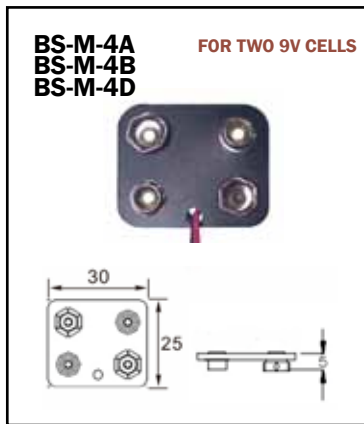
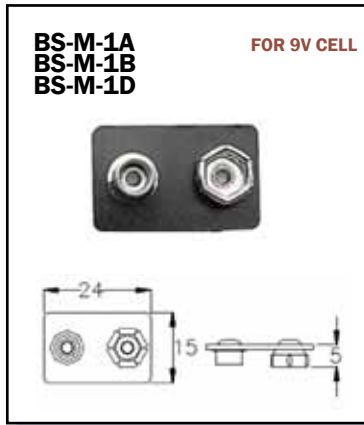




# COIN CELL HOLDER

SAI ISO 9001  
SAI ISO 14001
















## TYPE: I, E, T, P

### PATENT OF BATTERY SNAP:

CRIMPING: CH	PAT NO. ZL 93 2 11734.1	CT-CRIMPING: CH	PAT NO. ZL 01 2 24559.3
	TW PAT NO. 88476		GE PAT NO. Nr. 201 10 120.3
	U.S. PAT NO. 5.312.269		TW PAT NO. 198102
	UK PAT NO. 2277838		U.S. PAT NO. 6,478,633B1
	VN PAT NO. HI-0144		
	ZA PAT NO. 94/2542		

FOR 9V CELL

TYPE	CRIMPING			
	PVC. VINYL	RIGID		SAFETY
I	<b>BS-IC</b> 	<b>BS-IR</b> 	<b>BS-IR-1</b> 	<b>SBS-IR-1</b> 
E	<b>BS-EC</b> 	<b>BS-ER</b> 	<b>BS-ER-1</b> 	<b>SBS-ER</b> 
T	<b>BS-TC</b> 	<b>BS-TR</b> 	-----	-----
P	<b>BS-PC</b> 	-----	-----	-----












## CYLINDRICAL TERMINAL RIVET (CT-CRIMPING)

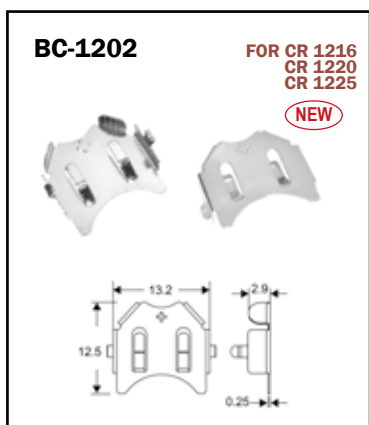
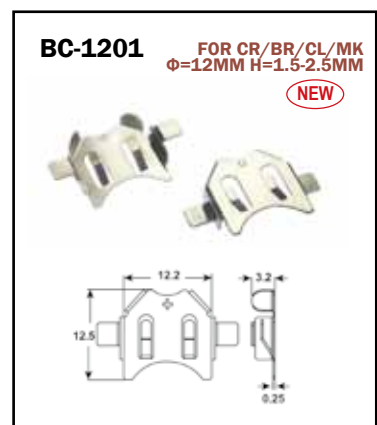
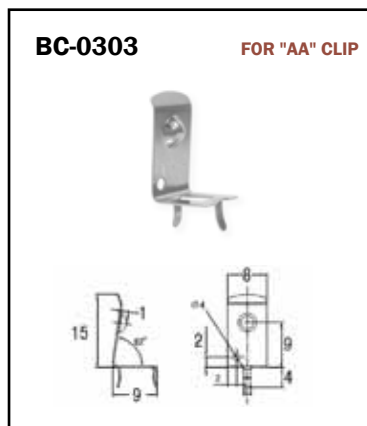
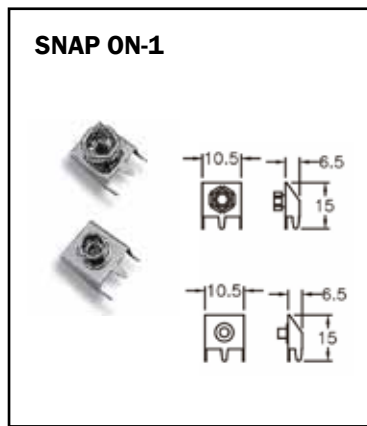
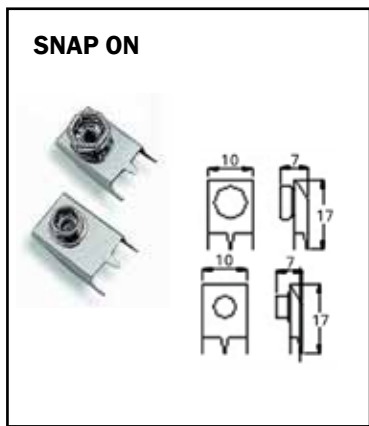


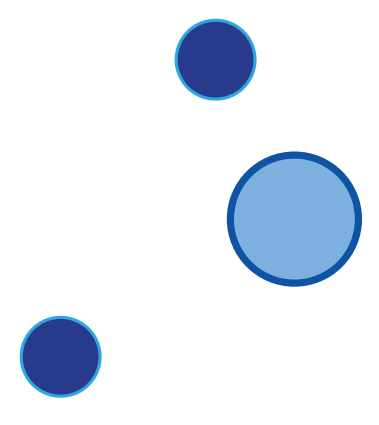
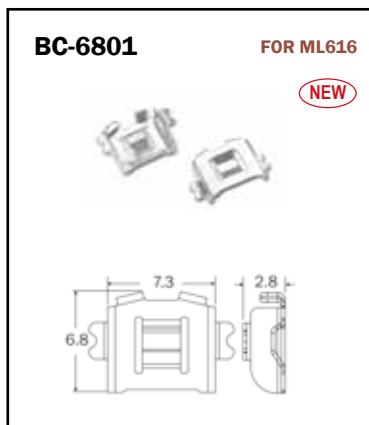
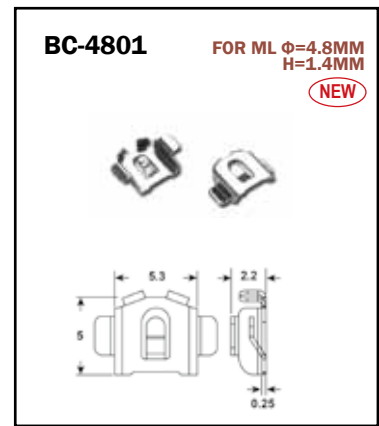
### ADVANTAGES:

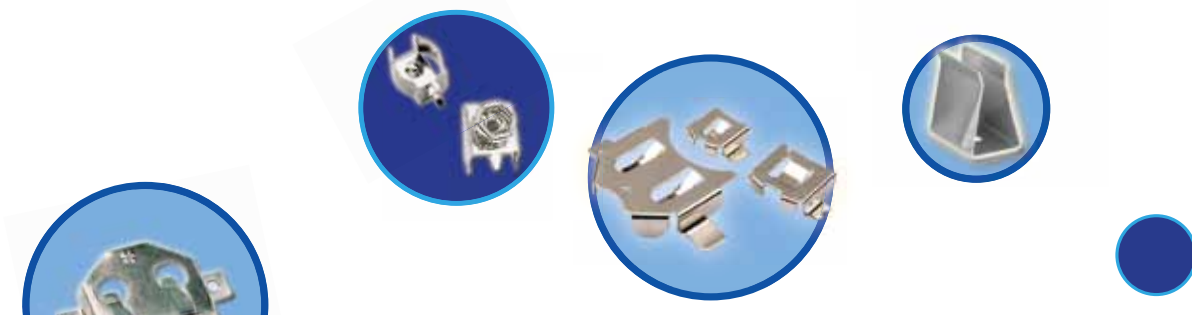
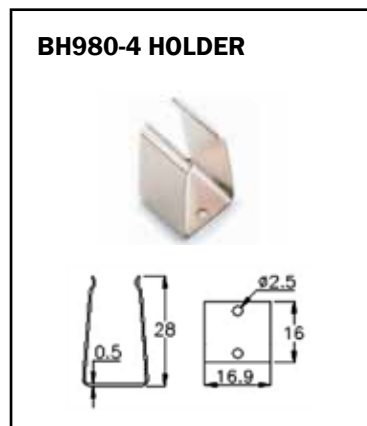
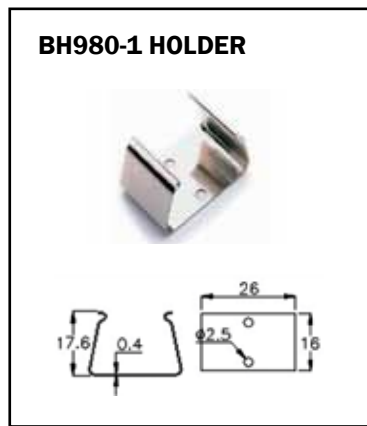
- LeadFree
- Prevent the foreign liquid spread into riveted spot.
- Increase the torque strength

FOR 9V CELL

TYPE	CT-CRIMPING			
	PVC. VINYL	RIGID		SAFETY
I	<b>BS-ICCT</b> 	<b>BS-IRCT</b> 	<b>BS-IRCT-1</b> 	<b>SBS-IRCT-1</b> 
E	<b>BS-ECCT</b> 	<b>BS-ERCT</b> 	<b>BS-ERCT-1</b> 	<b>SBS-ERCT</b> 
T	<b>BS-TCCT</b> 	<b>BS-TRCT</b> 	---	---
P	<b>BS-PCCT</b> 	---	---	---







彈片平整度檢測 / 校正儀  
Flatness analyzer for battery clips



2.5D 影像測量儀  
2.5D Vision Measuring Machine

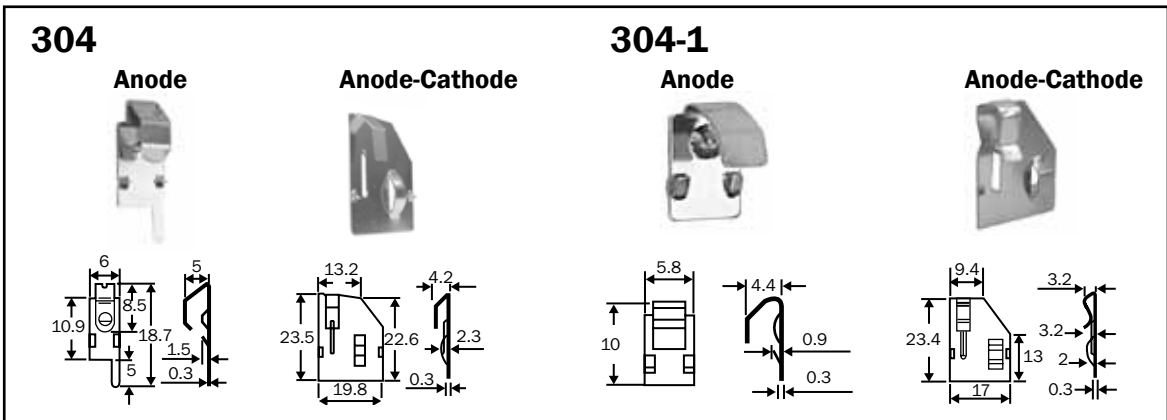
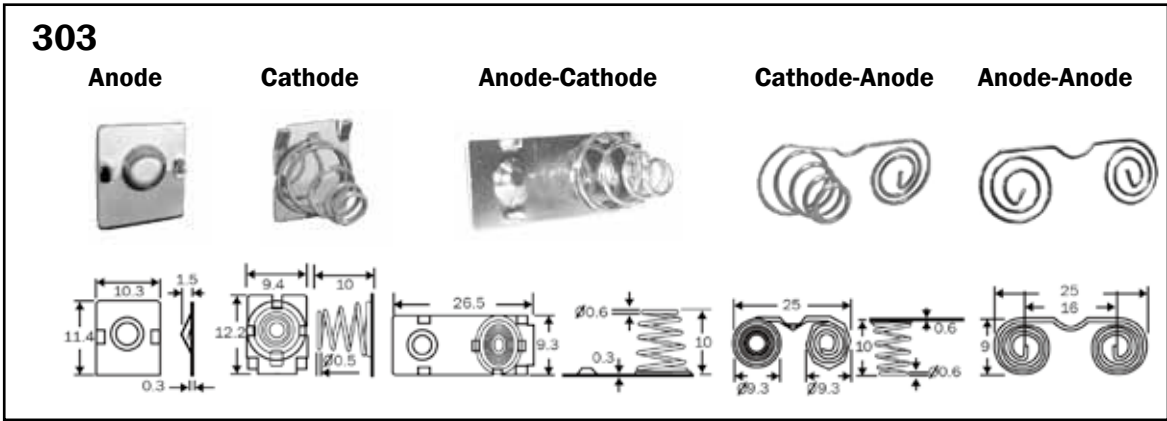
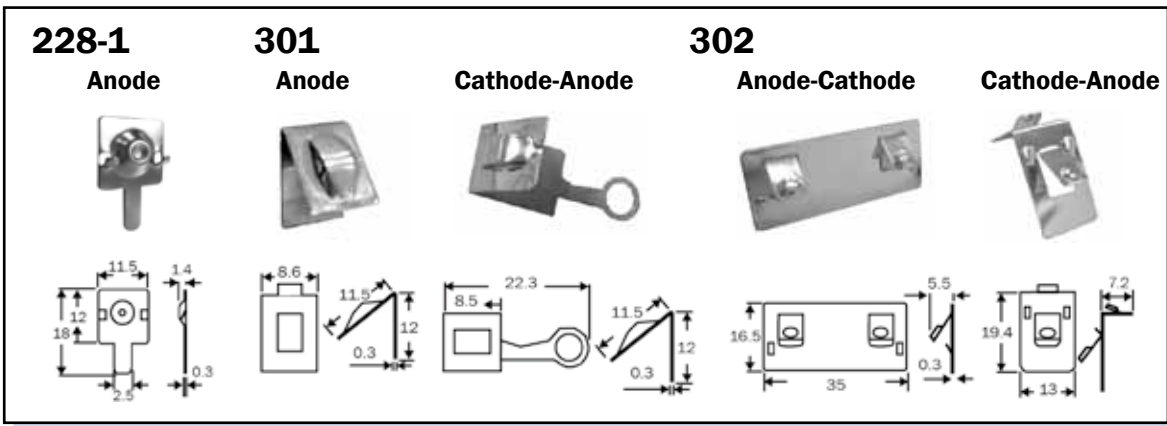
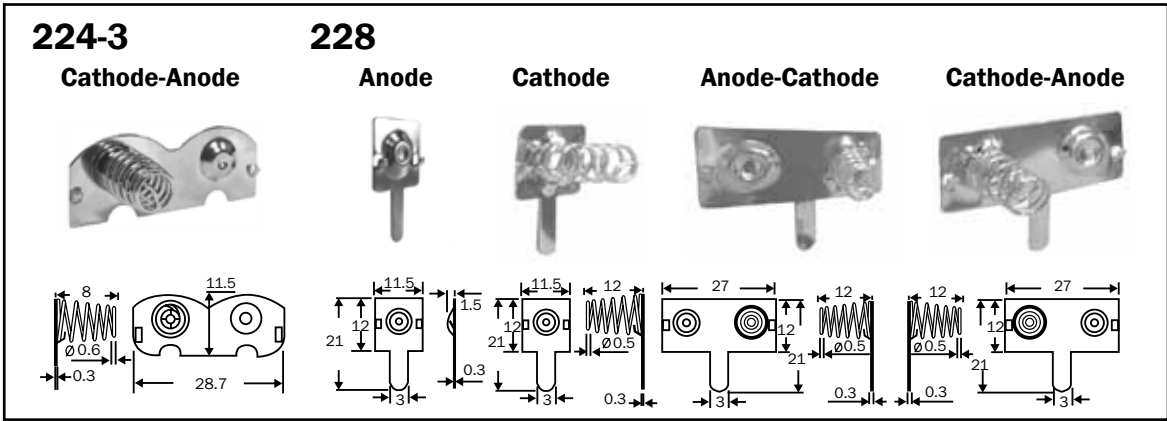


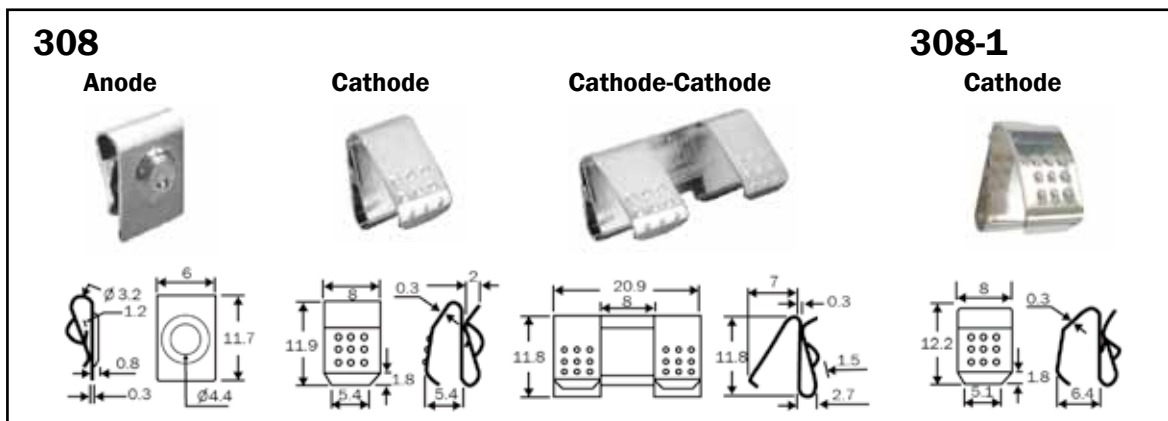
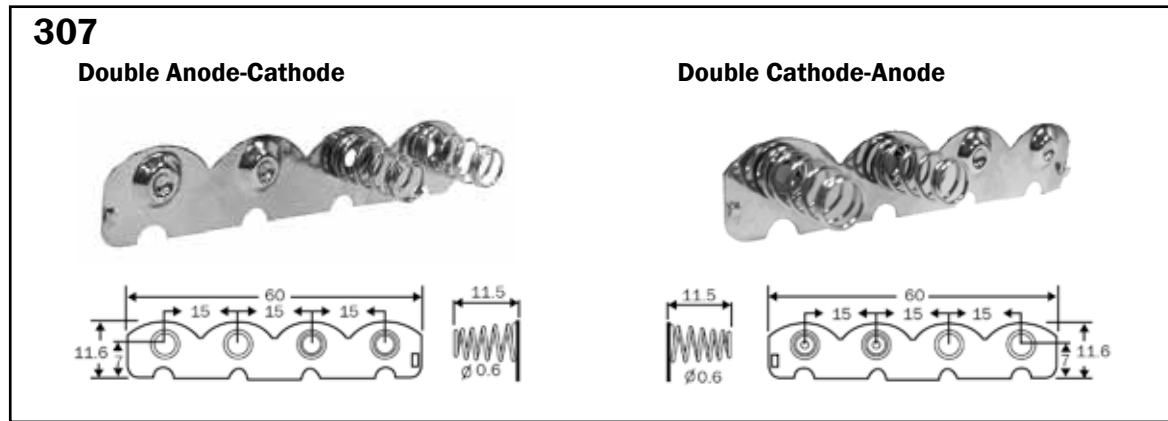
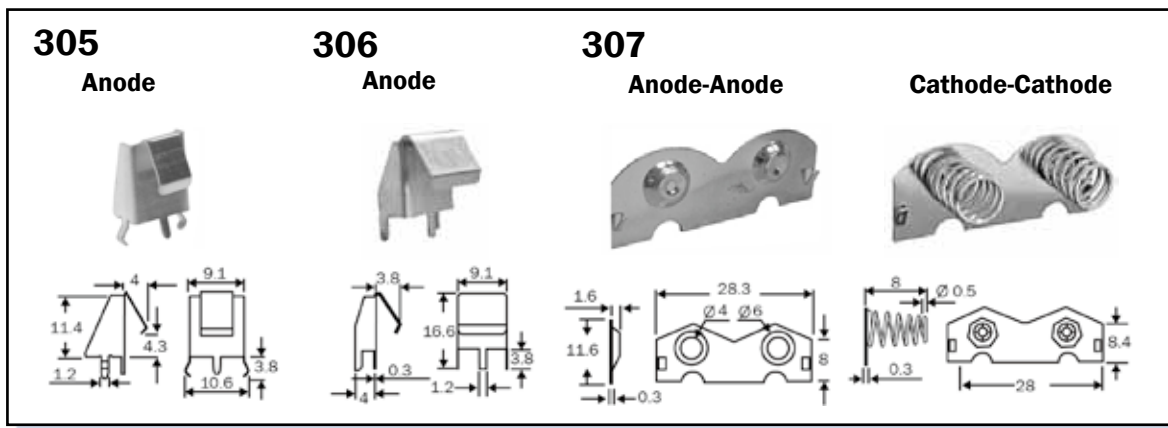
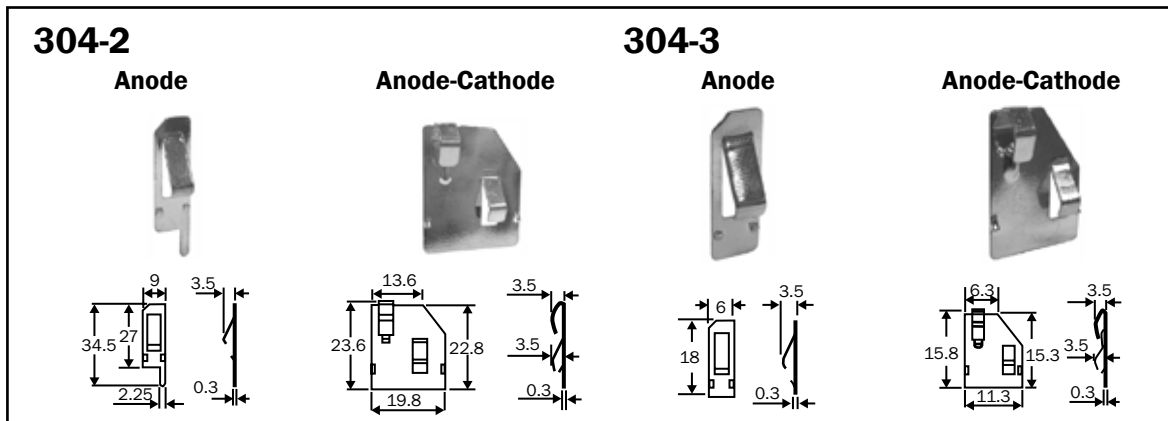
201		202		
Anode	Cathode	Cathode-Anode	Anode	Cathode

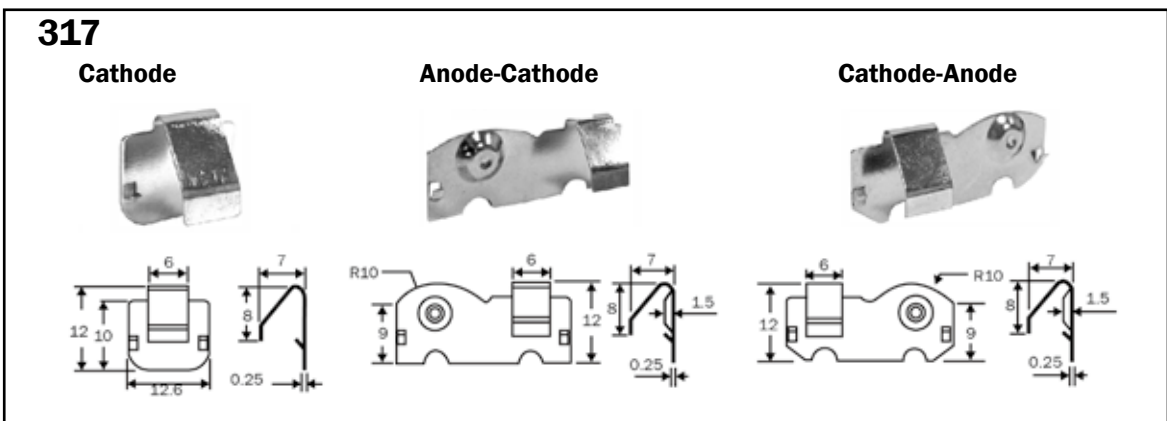
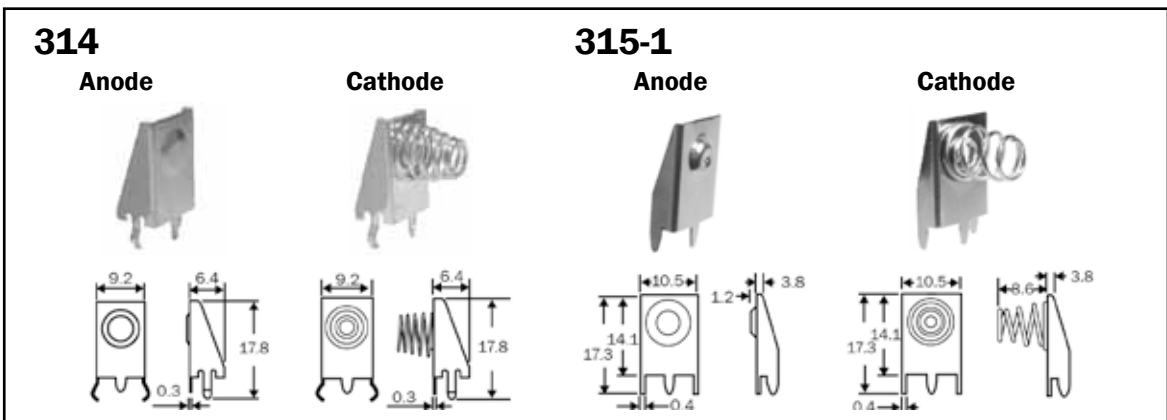
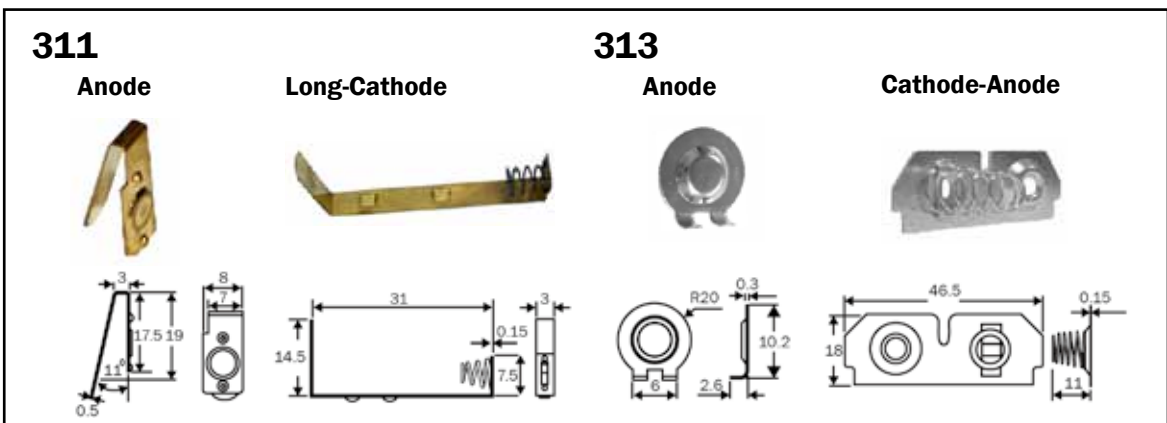
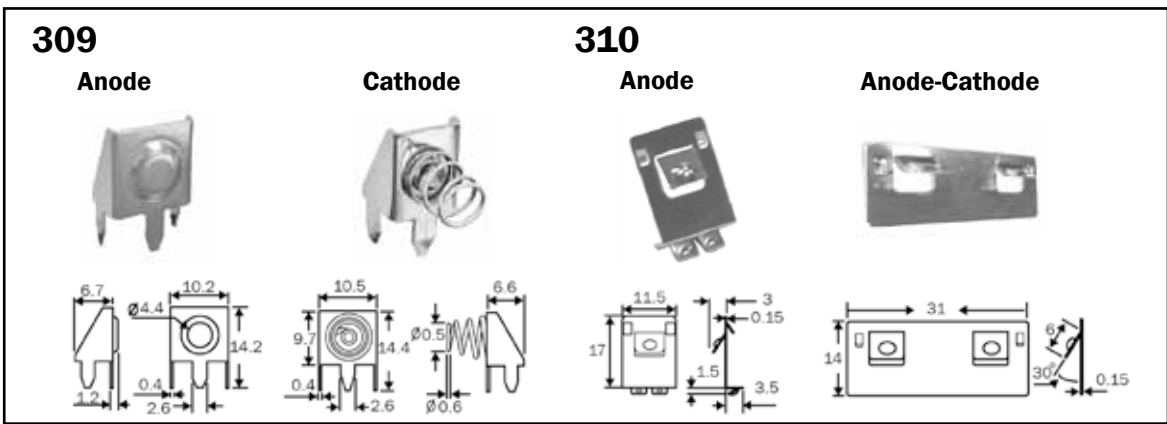
202	223		
Cathode-Anode	Anode	Cathode	Cathode-Anode

224				
Anode	Cathode	Long-Cathode	Anode-Cathode	Cathode-Anode

224-1		224-2		
Anode	Cathode	Anode-Cathode	Long-Cathode	Cathode-Anode





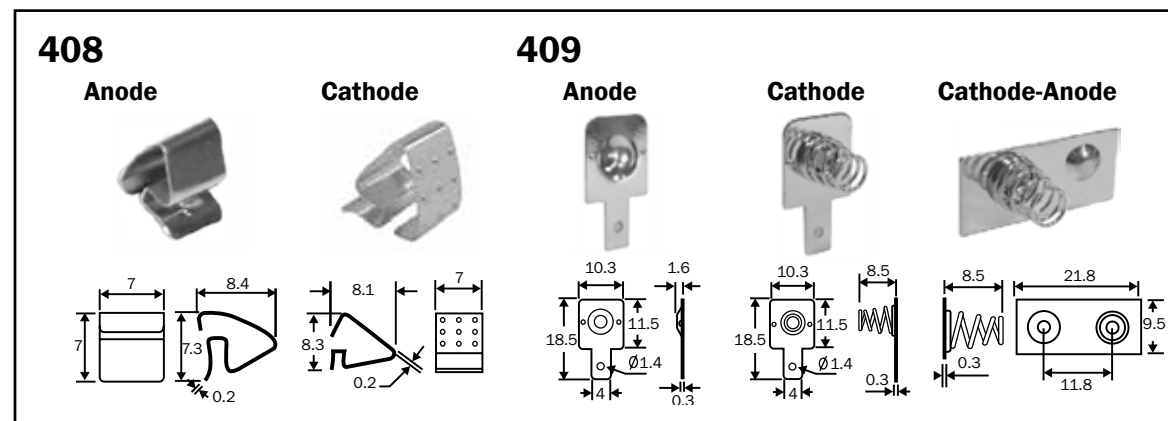
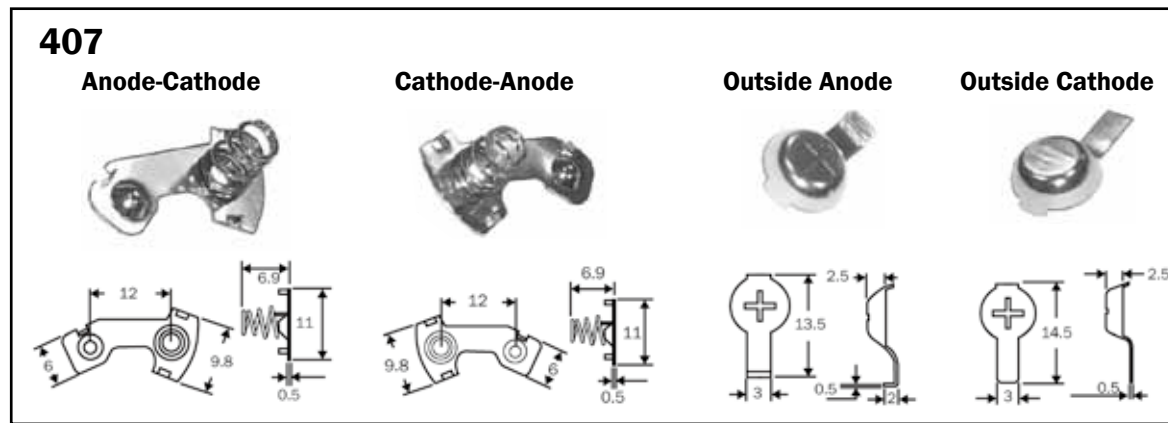
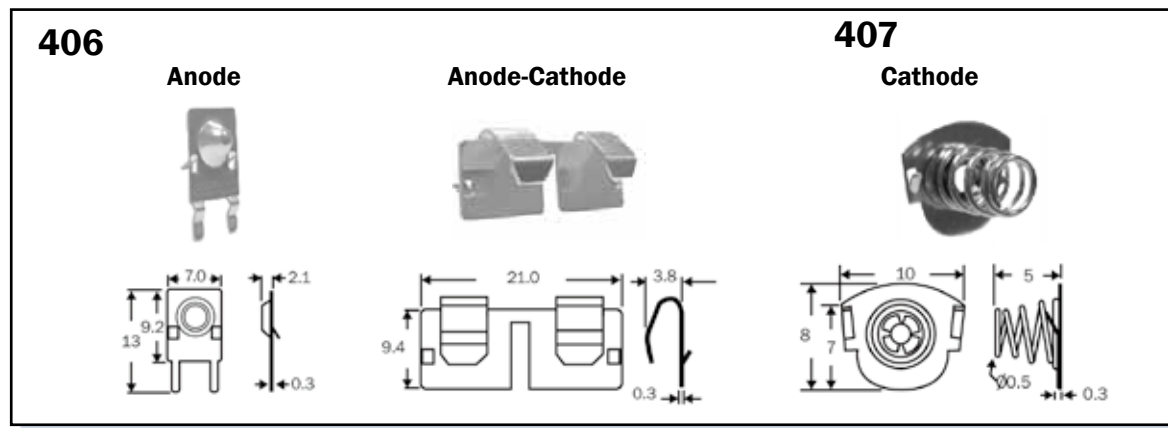
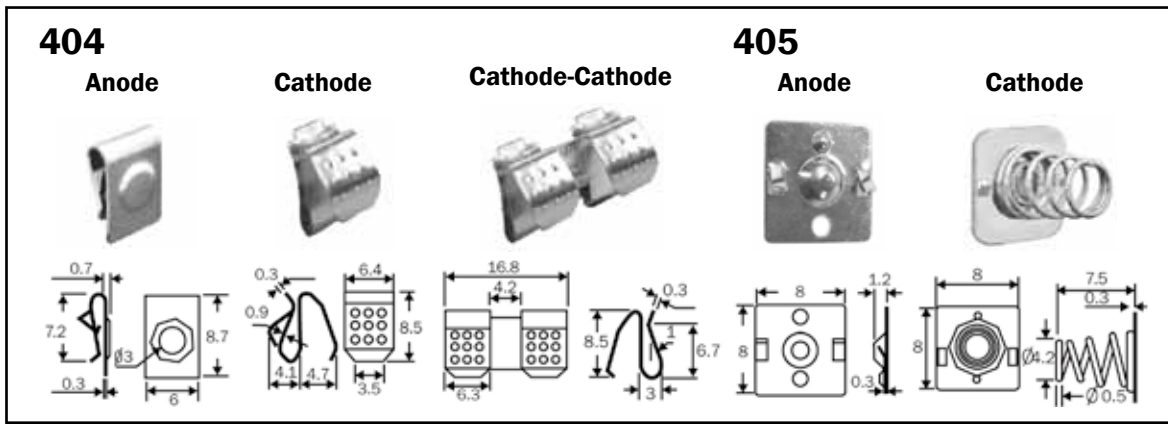


318		319		
Anode	Cathode	Cathode-Anode	Anode	Cathode

401				
Anode	Cathode	Long-Cathode	Anode-Cathode	Cathode-Anode

402		402-1	
Anode	Anode-Cathode	Anode	Anode-Cathode

402-2		402-3		403	
Anode	Anode-Cathode	Anode	Anode	Cathode	Anode-Cathode



<b>CR123A</b> Anode/Cathode	<b>Anode</b>	<b>BHC-2/3</b> Anode	<b>9V</b> Cathode

<b>18650</b> Anode/Cathode	<b>Pin Anode/Cathode</b>	<b>BH-3.6V</b> Anode/Cathode	<b>Pin Anode/Cathode</b>

<b>Big Contact</b>	<b>Small Contact</b>	<b>Long Contact</b>	<b>P2 Contact</b>	<b>Pin14 Contact</b>	<b>Pin24 Contact</b>
<b>Female Contact (6 Prong)</b>	<b>Male Contact</b>	<b>Female Contact (4 Prong)</b>	<b>Switch</b>	<b>Metal Switch (big)</b>	<b>Metal Switch (small)</b>

<b>Rivet</b>							
<b>5x2.4x4</b>	<b>5x2.4x5</b>	<b>5x2.5x3.8</b>	<b>4x2.4x4</b>	<b>7x4x4.5</b>	<b>7x4x5</b>	<b>7x4x7</b>	<b>8x2.4x4</b>
<b>Contact</b>	<b>Hook (0.8)</b>	<b>Hook (0.8x40)</b>	<b>Hook (0.8x19)</b>	<b>Hook (0.8x17)</b>	<b>Hook (0.8x33)</b>	<b>Hook (0.8x31)</b>	

## WIRE HARNESS

### ASSEMBLY MANUFACTURING

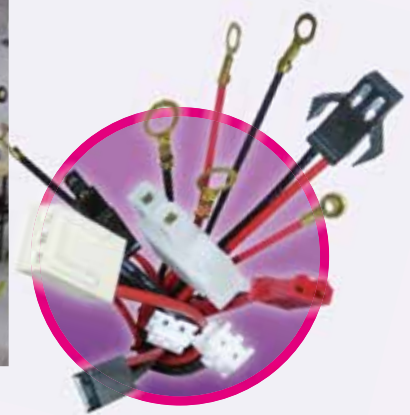
With years of experience as a leading wire harness manufacturer, COMF owns and operates manufacturing facilities in China to manufacture our customer's products. We commit to understanding our customers' expectations, and meeting those expectations by performing the correct tasks, defect free, on time, every time.



Full Automatic Terminal Crimping machine



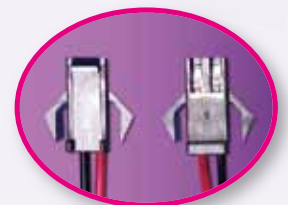
Full Automatic Terminal Crimping machine (Double Head)



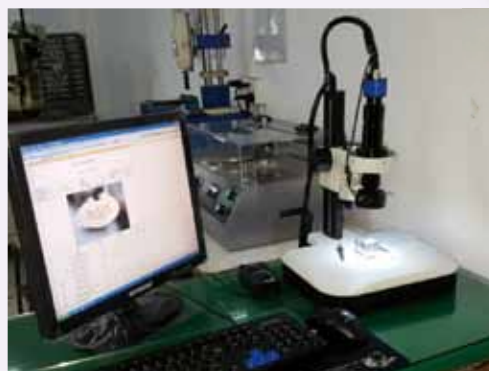
Full Automatic Crimping Machine



Automatic Soldering Machine



Electric Test



Terminal Cross Section Analyzer





# WIRE ASSEMBLIES HARNESSES

- Cable Assembly, Flexible Flat Cable (FFC), LVDS Cable offered
- Complete OEM service available
- Small order acceptable
- Good quality products with competitive price



**DESIGN, SOURCE, TEST AND SUPPLY ON TIME. COMF'S QUALITY SYSTEM AND AUTOMATED PRODUCTION FACILITIES ARE YOUR ADVANTAGE.**

## LEAD WIRE TERMINAL CONNECTOR



# BATTERY HOLDER AND BATTERY SNAP



**MANY ADDITIONAL STYLES ARE AVAILABLE.  
CUSTOM DESIGNS AND VARIATIONS OF STANDARD PARTS  
CAN BE PRODUCED TO MEET YOUR REQUIREMENTS.  
PLEASE CONTACT WITH US.**



**Comfortable Electronic Co., Ltd. (COMF) specializes in the production of Battery Holder, Battery Snaps and Plastic Injection Molding. Over the years, COMF has actively extended our product offering to include Coin Cell Holder, Battery Clips, Battery Contacts and Wire Assemblies. Always aiming to meet the client's need, COMF offers the best solution for design, development and production.**



## Patents:

- Enclosed Battery Holder
- Cylindrical Terminal Rivet and Battery Snap
- Charger with Replaceable Signal Line for a Car
- USB Power Pack and Charge
- Battery Case Having Retaining Function
- Waterproof Battery Case
- Battery Case and Electrode Plate Set for Use in the Same



### Taiwan Office:

**COMFORTABLE ELECTRONIC CO., LTD.**  
 3F No.142 Li-Teh St., Chung Ho Dist.,  
 New Taipei City 23512, Taiwan.  
**常利興業股份有限公司**  
 23512新北市中和區  
 立德街142號3樓  
 TEL: +886-2-3234-7735  
 FAX: +886-2-3234-7739  
[http:// www.comf.com.tw](http://www.comf.com.tw)  
 E-mail:comf@seed.net.tw  
 E-mail:comf.co@msa.hinet.net

### Hong Kong Office:

**COMF COMPANY**  
 11/15F, Metro Centre 1,  
 No.32 Lam Hing St.,  
 Kowloon Bay, Hong Kong.  
**常利貿易(H.K)有限公司**  
 香港九龍灣臨興街32號  
 美羅中心1期15樓11室  
 TEL: +852-2770-5181  
 FAX: +852-2798-8129  
[http:// www.comf-hk.com](http://www.comf-hk.com)  
 E-mail:sales@comf-hk.com

### China Factory:

**COMF ELECTRONIC FACTORY (DONGGUAN)**  
**東莞石排常利電子廠**  
 廣東省東莞市石排鎮  
 塘尾工商業開發區  
 TEL: +86-769-8665-2535  
 FAX: +86-769-8665-3700

