



THE PRODUCT

The DATEC-TERMINAL cases are uniquely designed to meet the requirements of stationary operational data collection.

A high degree of versatility is a characteristic of this range of cases.

Functional design and a wide range of accessories encourage universal use in the field of operational data collection, but also in all other classical areas typical of wall mounting and desktop cases.

YOUR ADVANTAGE

Insertion possible for standard pocket-size scanners.

With/without separate terminal section which is easily accessible.

Ergonomic shape. Operating area inclined by 20°. A real asset when operating and reading.

The cases are designed to save you time and money by being easy to assemble and service. The design is very attractive with all assembly screws being hidden from view. Invisible wall mounting.

Screw pillars for PCB mounting are suitable for mounting eurocards 100 x 160 mm or double eurocard sizes (S, SL and L).

Flat area for machining and cutouts.

APPLICATIONS

Systems for data collection on the job and machines. Access and security controls. Measuring and controlling. Heating and air conditioning. Medical and point-of-sale.

PROTECTION CLASS IP 54

Only in combination with cover (S/SL/M/L) and closed lid.

MAX. SIZE OF PCB

DATEC-TERMINAL	L x W in mm	
	basic housing	covers
S	160 x 118	172 x 104
SL	160 x 251	172 x 237
M	255 x 124	209 x 128
L	255 x 258	209 x 264

(cutouts for pillars not taken into consideration)



Off-white, RAL 9002

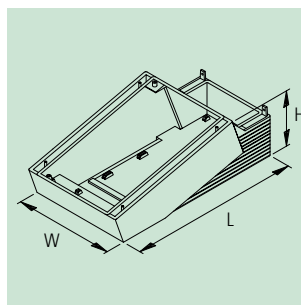


TABLE TOP OR WALL MOUNTED

A special asset is the possibility to manufacture a wall mounted system as well as a table-top unit for the same application. An identical arrangement of the electronic parts can be maintained. The front plate and/or the cover just has to be turned through 180°.

Table top unit

This case series attracts the user with its futuristic, ergonomic shape and ample space to accommodate printed circuit boards in Eurocard-sizes – double and single. The rubber feet supplied together with the unit guarantee a non-slip position.

Wall mounted system

The ergonomically inclined front panel allows the case to be mounted within the operator's reach. Displays and readouts are easily legible for all users involved – be it the mechanical engineer, the operator etc.



Unauthorised removal prevention for wall mounted cases

In order to prevent unauthorised removal, the case is fixed to the wall suspension element. With DATEC-TERMINAL S/SL, additional machining is required (two holes drilled in the bottom of the case). With DATEC-TERMINAL M/L, the screw attachment is effected in the separate terminal compartment.



INFO-BOX

Supply

DATEC-TERMINAL S/SL

- 1 basic housing.
- 1 sealing.
- 4 screws for the PCB fixing.
- 4 non-slip feet

DATEC-TERMINAL M/L

- 1 basic housing.
- 1 sealing kit.
- 4 screws for the PCB fixing.
- 4 non-slip feet.
- Version II additionally with hinge and quick-action lock.
- Version III additionally with hinge, quick-action lock and keylock.

Installation of standardised push-in and pull-through scanning systems:

The lids for DATEC-TERMINAL M and L offer installation options for standardised push-in scanner systems on magnetic, inductive and chip card basis, or pull-through scanners for magnetic and barcode cards.

Ask for the current list of suitable devices and manufacturers for the required cover version (see also the Internet www.okw.com) or send us a dimensional sheet of the device you require. On request we can mill the cutouts at a favorable price.



BASIC HOUSINGS

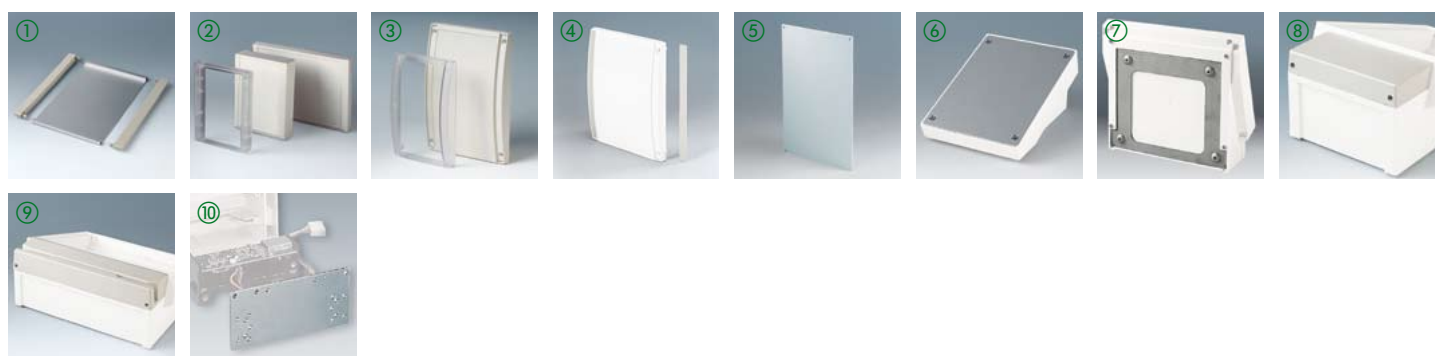
Part-No.	DATEC-TERMINAL	Outside dim. in mm			Version / Equipment			Material
		L	W	H	cutouts for	separate terminal comp.		
B 40 13 117	S	180	130	86	–	–	–	ABS (UL 94 HB)
B 40 26 117	SL	180	264	86	–	–	–	ABS (UL 94 HB)
B 40 16 117	M	272	168	101	I	–	•	ABS (UL 94 HB)
B 40 16 217		272	168	101	II* ¹	hinge, quick-action lock	•	ABS (UL 94 HB)
B 40 16 317		272	168	101	III* ¹	hinge, quick-action lock, keylock	•	ABS (UL 94 HB)
B 40 30 117	L	272	302	101	I	–	•	ABS (UL 94 HB)
B 40 30 217		272	302	101	II* ¹	hinge, quick-action lock	•	ABS (UL 94 HB)
B 40 30 317		272	302	101	III* ¹	hinge, quick-action lock, keylock	•	ABS (UL 94 HB)

• included

*¹ the openings of versions II and III are on the right side of the wall mounting case and on the left side of the desktop unit (shown from the view)

ACCESSORIES

Article	For basic housing DATEC-TERMINAL	Version / Application	Part-No.	
① Profile plate	S	Profile plate extruded aluminium 2.4 mm, cover strips ABS, pebble grey, RAL 7032	B 41 13 126	
	SL	Profile plate extruded aluminium 2.4 mm, cover strips ABS, pebble grey, RAL 7032	B 41 26 126	
	M	Profile plate extruded aluminium 2.7 mm, cover strips ABS, pebble grey, RAL 7032	B 41 16 126	
	L	Profile plate extruded aluminium 2.7 mm, cover strips ABS, pebble grey, RAL 7032	B 41 30 126	
			ABS, off-white	PC, transparent
② Cover screw access from behind	S	provides IP 54 , max. dim. keypad 100.50 x 157.90 mm	B 40 13 617	B 40 13 621
	SL	provides IP 54 , max. dim. keypad 234.30 x 158.50 mm	B 40 26 617	B 40 26 621
	M	flat, provides IP 54 * ² , max. dim. keypad 195.10 x 129.20 mm	B 40 16 617	B 40 16 621
	M	high, provides IP 54 * ² , max. dim. keypad 194.90 x 128.90 mm	B 40 16 657	–
	L	flat, provides IP 54 * ² , max. dim. keypad 195.10 x 262.50 mm	B 40 30 617	B 40 30 621
	L	high, provides IP 54 * ² , max. dim. keypad 194.90 x 262.90 mm	B 40 30 657	–
③ Cover convex screw access from the front (cover strips necessary)	S* ³	provides IP 54 , max. dim. keypad 97.90 x 159.70 mm	B 40 13 637	–
	SL* ³	provides IP 54 , max. dim. keypad 231.00 x 159.60 mm	B 40 26 637	–
	M	provides IP 54 * ² , max. dim. keypad 203.20 x 128.80 mm	B 40 16 637	B 40 16 631
	L	provides IP 54 * ² , max. dim. keypad 203.10 x 262.70 mm	B 40 30 637	B 40 30 631
④ Cover strip	cover convex S, SL	PC, transparent for colour coding* ⁴ , 1 pc ABS, off-white, RAL 9002, 1 pc	B 41 13 671	B 41 13 677
	cover convex M, L	PC, transparent for colour coding* ⁴ , 1 pc ABS, off-white, RAL 9002, 1 pc	B 40 16 671	B 40 16 677
⑤ Front panel H	M with ② / ③	matt anodised aluminium, 209 x 128 x 2 mm	B 41 16 116	
	L with ② / ③	matt anodised aluminium, 209 x 262 x 2 mm	B 41 30 116	
⑥ Front panel S	S	matt anodised aluminium, 176 x 125.9 x 2 mm	B 41 13 106	
	SL	matt anodised aluminium, 176 x 259.4 x 2 mm	B 41 26 106	
	M	matt anodised aluminium, 217.4 x 165.4 x 2 mm	B 41 16 106	
	L	matt anodised aluminium, 217.4 x 299.4 x 2 mm	B 41 30 106	
⑦ Wall suspension element	S	galvanised sheet steel, removal secured by 2 holes in bottom (machining required)	B 41 13 147	
	SL	galvanised sheet steel, removal secured by 2 holes in bottom (machining required)	B 41 26 147	
	M	galvanised sheet steel, securing by 2 screws in the terminal compartment	B 41 16 147	
	L	galvanised sheet steel, securing by 2 screws in the terminal compartment	B 41 30 147	
⑧ Lid closed (installation of pocket scanners see footnote* ⁵)	M	flat, ABS, off-white, RAL 9002, to cover up the terminal compartment	B 40 16 417	
	M	high, ABS, off-white, RAL 9002, to cover up the terminal compartment	B 40 16 457	
	L	flat, ABS, off-white, RAL 9002, to cover up the terminal compartment	B 40 30 417	
⑨ Lid with card slot one piece	M	ABS, off-white, for mounting of pull-through reading devices* ⁶	B 40 16 917	
	L	ABS, off-white, for mounting of pull-through reading devices* ⁶	B 40 30 917	
⑩ Support plate	M, L	designed for mounting types of card readers/scanners to the one-piece lid with slot	B 41 16 136	



*² protection class IP 54 only in combination with cover and closed lid or lid with slot consisting of several parts

*³ screw access from the front; alternatively, lock and hinge may be installed (separate articles, see accessories page 103)

*⁴ this is quick and easy, with strips of coloured paper under the transparent cover strips (not included in the supply)

*⁵ installation of push-in scanner systems possible on magnetic, inductive and chip card basis; additional machining required; see also Info-Box on page 54

*⁶ installation of pull-in scanners for magnetic and bar code cards; support plate (⑩) and additional machining required; see also Info-Box on page 54