



Mini contactor relay, 4NO/0NC, AC operated



Powering Business Worldwide™

Part no. **DILER-40(230V50/60HZ)**

Article no. **052725**

Program

Product range			DILER Mini-contactors
Application			Contactors relays
Connection technique			Screw terminals
Conv. thermal current	I_{th}	A	10
Contacts			
N/O = Normally open			4 N/O
Contact sequence			
For use with			...DILE
Actuating voltage			230 V 50/60 Hz
Voltage AC/DC			AC operation
Code number and version of combination			
Distinctive number			40 E
Auxiliary contact module			
Interlocked opposing contacts		40E	Conforms to EN 50011 - terminal markings of the coil according to EN 50005
Interlocked opposing contacts	02DILE	42E	EN 50011 - Use preferably this combination
Interlocked opposing contacts	04DILE	44E	EN 50011 - Use preferably this combination
Interlocked opposing contacts	11DILE	51E	EN 50011 - Use preferably this combination
1 early-make contact, 1 late-break contact	11DDILE	51	EN 50005
Interlocked opposing contacts	13DILE	53E	EN 50011 - Use preferably this combination
Interlocked opposing contacts	20DILE	60E	EN 50011 - Use preferably this combination
Interlocked opposing contacts	22DILE	62E	EN 50011 - Use preferably this combination
1 early-make contact, 1 late-break contact	22DDILE	62	EN 50005
Interlocked opposing contacts	31DILE	71E	EN 50011 - Use preferably this combination
Interlocked opposing contacts	40DILE	80E	EN 50011 - Use preferably this combination
Instructions Contact numbers to EN 50011 Coil terminal markings to EN 50005			

Approbationen

UL approval	Yes
CSA approval	Yes
Product Standards	IEC/EN 60947-4-1; UL 508; CSA-C22.2 No. 14-05; CE marking
UL File No.	E29184
UL CCN	NKCR
CSA File No.	012528
CSA Class No.	3211-03
NA Certification	UL listed, CSA certified

General

Standards			IEC/EN 60947, VDE 0660, UL, CSA
Climatic proofing			Damp heat, constant, to IEC 60068-2-78; Damp heat, cyclical, to IEC 60068-2-30
Protection against direct contact when actuated from front (EN 90274)			Finger and back-of-hand proof
Terminal capacities		mm ²	
Pozidriv screwdriver		Size	2
Max. tightening torque		Nm	1.2

Contacts

Overvoltage category/pollution degree			III/3
---------------------------------------	--	--	-------

Rated insulation voltage	U_i	V AC	690
Conv. thermal current	I_{th}	A	10

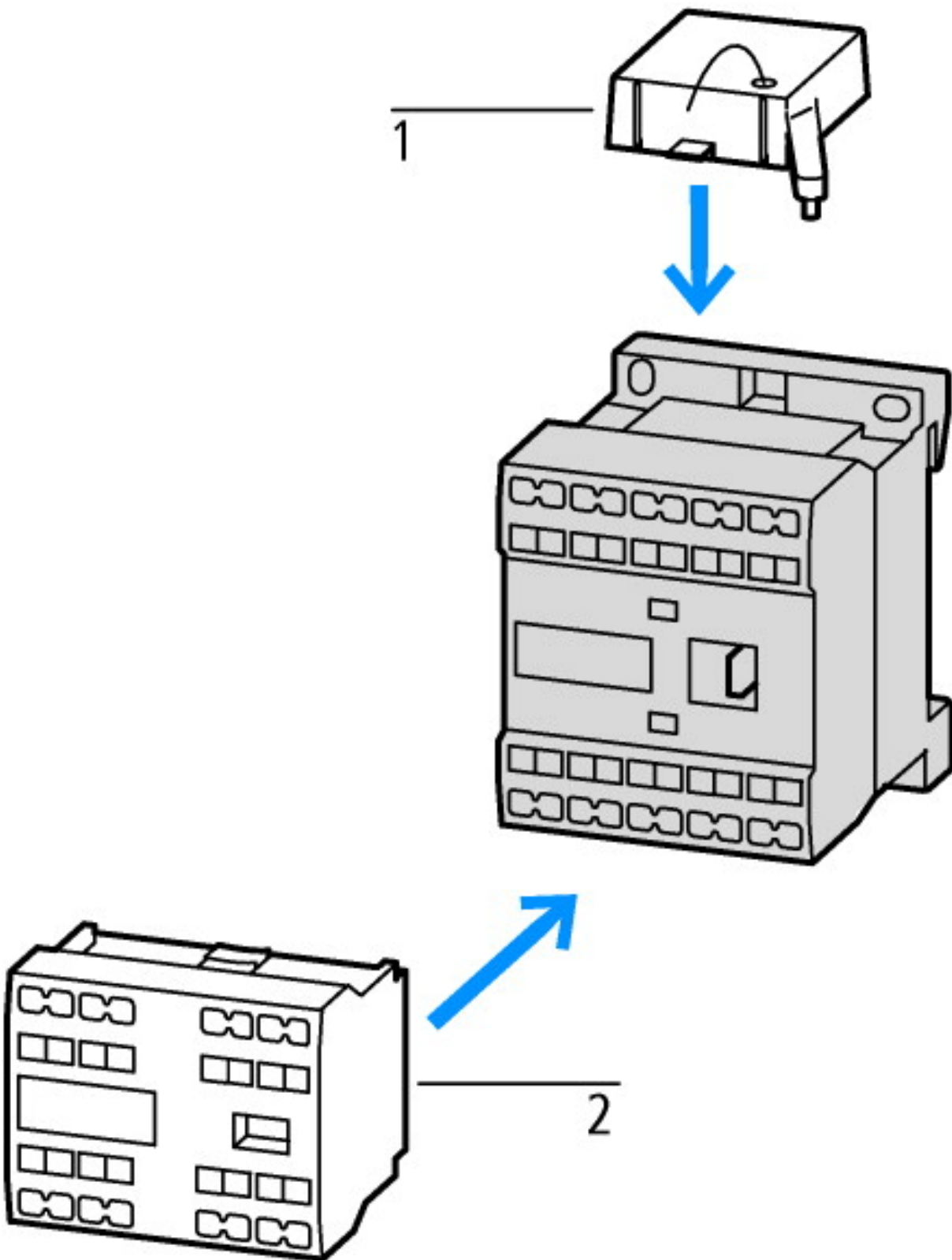
Magnet systems

Power consumption			
50 Hz	Pick-up	VA	25

Technical data according to ETIM 4.0

Connection type main circuit			Screw connection
Rated control voltage U_s at DC		V	0
Rated control voltage U_s at AC 60HZ		V	230
Rated control voltage U_s at AC 50HZ		V	230
Number of auxiliary contacts as changeover contacts			0
Rated operation current I_e , 400 V		A	3
Number of auxiliary contacts as N/Cs			0
Number of auxiliary contacts as N/Os			4
Voltage type for actuation			AC
Number of auxiliary contacts as N/Os, leading			0
Number of auxiliary contacts as N/Cs, delayed switching			0

Characteristics



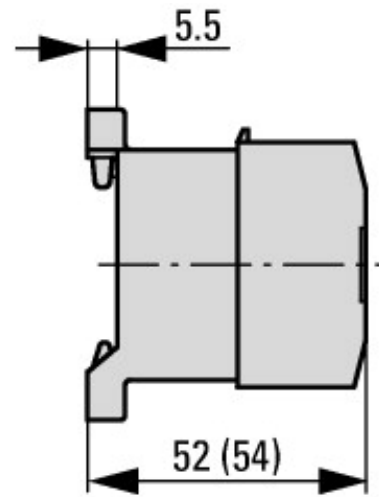
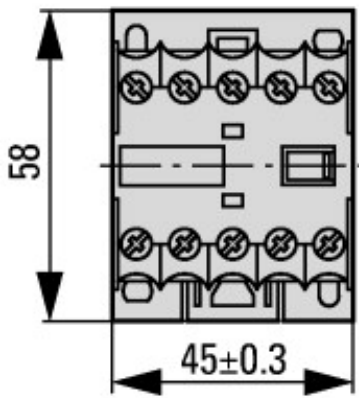
- 1: Suppressor
- 2: Auxiliary contact module

CAD-Data

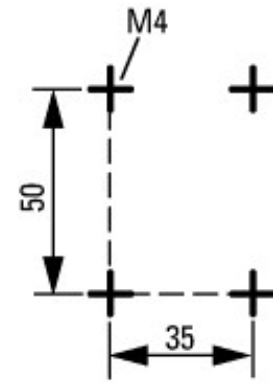
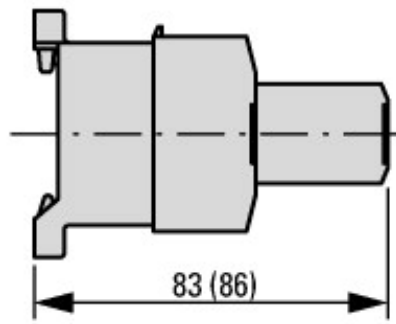
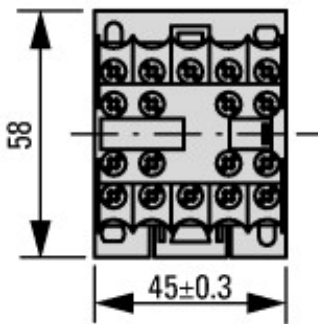
Product standards CAD data:

<http://eaton-moeller.partcommunity.com>

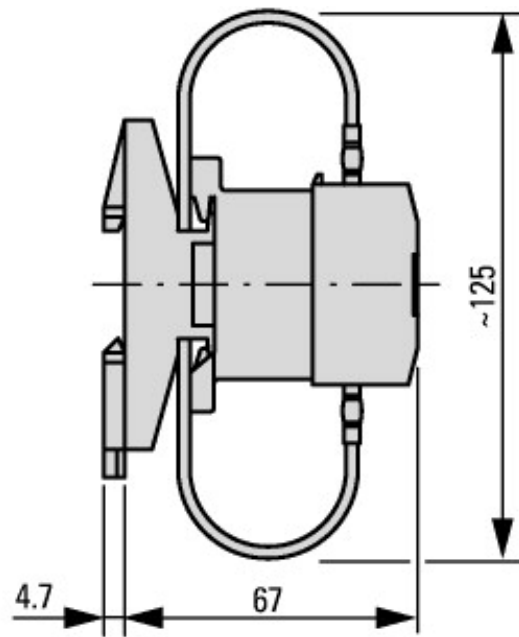
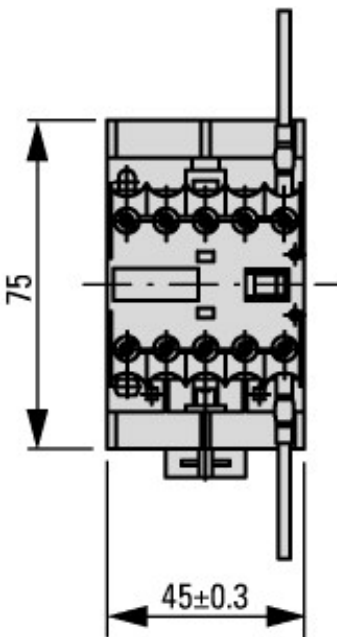
Dimensions



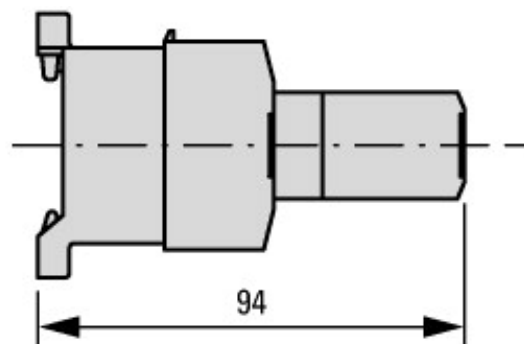
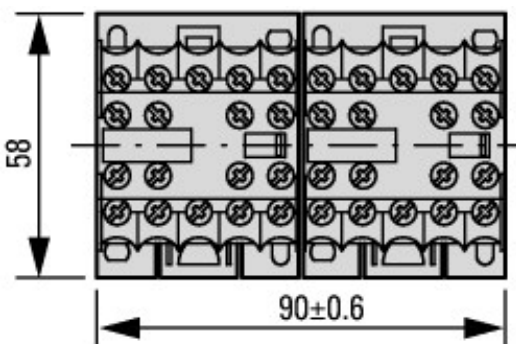
DILER-...
DILER-...-G



DILER-... + ...DILE
DILER-...-G + ...DILE



DILER-... + TODDILE24



2DILE-... + MVDILE + ...DILE
2DILE-...-G + MVDILE + ...DILE

Additional product information (links)

IL03407009Z (IL03407009Z) Mini contactor relay

ftp://ftp.moeller.net/DOCUMENTATION/AWA_INSTRUCTIONS/IL03407009Z2010_10.pdf