

# Energy meets efficiency

## MASTER LEDlamps DimTone



MASTER LEDlamps DimTone delivers the warm, defined beam and the shift to warmer colour during dimming that is provided by halogen and GLS, while offering the energy savings, minimised maintenance costs and extended lifetime of LED lamps. Enabling maximum warmth and ambiance at lower dimming levels, it is ideal for hospitality applications requiring heightened customer comfort, such as restaurants, bars, washrooms and lobbies. The DimTone feature means light colour shifts from regular warm white at maximum light output to warmer white at lowest light under full dimming, same as halogen and GLS. Further efficiency and energy savings are offered under such dimmed conditions. These DimTone MVspots fit most existing fixtures with a GU10 socket, and the innovative driver design ensures compatibility with a broad range of dimmer types. The DimTone bulbs are designed to retrofit replacement of dimmable incandescent bulbs.

### Benefits

- The light gets warmer when dimmed ( creates pleasant, intimate ambiance)
- 80%-90% energy saving (short payback time)
- dimmable with leading edge dimmers

### Features

- DimTone dimming
- low energy consumption
- lifetime of 25,000 to 40,000 hours
- CRI >80
- UV and IR free light



**PHILIPS**

**Application**

- suitable for indoor applications in open luminaires (with an open/free air gap of min. 10 mm)

- accent and general lighting (e.g. hotels, shops and offices)

Related products



8-40W B22



8-40W E27



6.5-35 W GU5.3 MR16



DimTone 4-35 W GU10 25D



DimTone 4-35 W GU10 40D

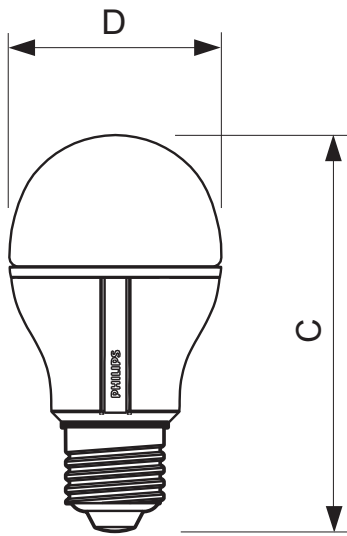


DimTone 4.5-50 W GU10 25D



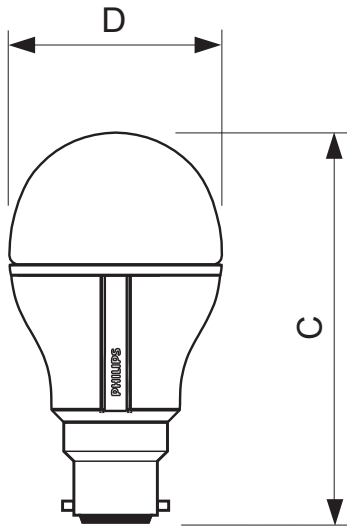
DimTone 4.5-50 W GU10 40D

Dimensional drawing



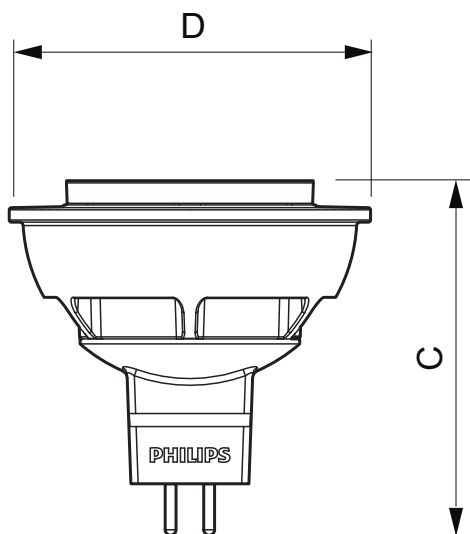
**MASTER LEDbulb DimTone 8-40W E27 827**

Product	C (Norm)	D (Norm)
LED DimTone 8-40W E27 WW	105.4	56.7



**MASTER LEDbulb DimTone 8-40W B22 827**

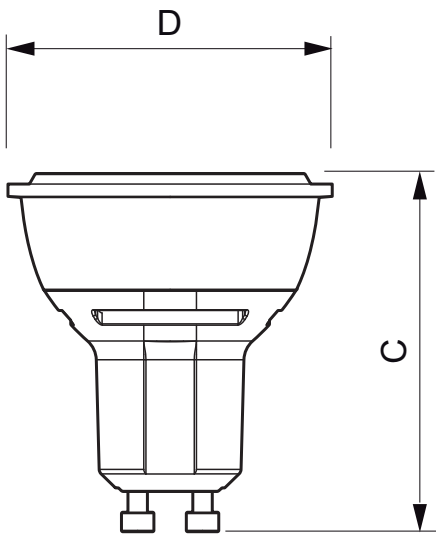
Product	C (Norm)	D (Norm)
LED DimTone 40 8-40W B22 WW	104.2	56.7



**MAS LEDspotLV DimTone 6.5-35W MR16 24D**

Product	C (Norm)	D (Norm)
LED DimTone 6.5-35W MR16 24D	50	51
LED DimTone 6.5-35W MR16 36D	50	51

Dimensional drawing



MASTER LEDspotMV DimTone 4-35W GU10 25D

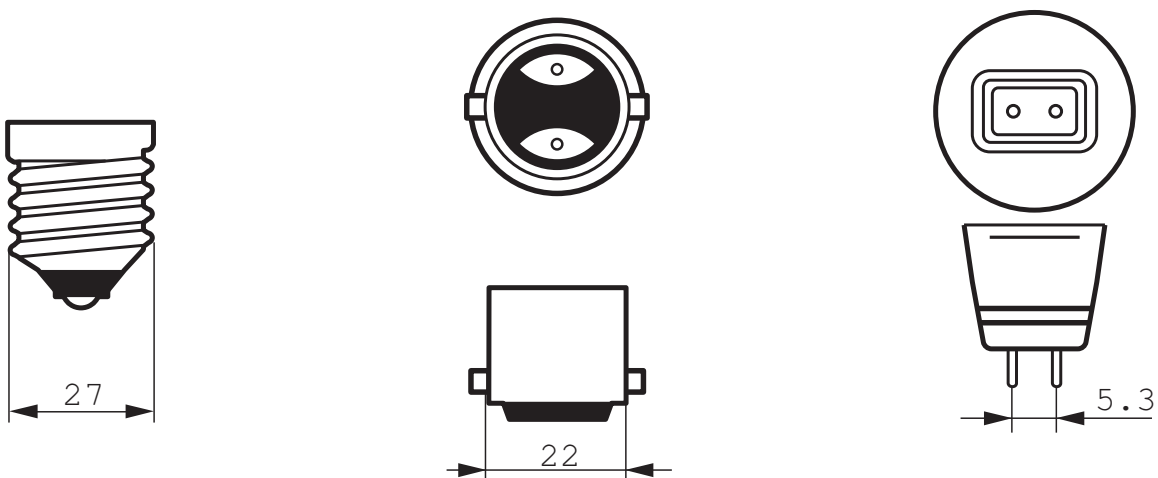
Product	C (Norm)	C1 (Max)	D (Norm)	D1 (Norm)
LED DimTone 4-35W GU10 25D	55	-	50	-
LED DimTone 4-35W GU10 40D	55	-	50	-
LED DimTone 4.5-50W GU10 25D	55	-	50	-
LED DimTone 4.5-50W GU10 40D	55	-	50	-

General Characteristics

Order code	Full product name	Cap-Base	Bulb	Bulb Finish	Rated Lifetime
191988 00	MASTER LEDbulb DimTone 8-40W B22 827	BC	A60	-	25000 hr
192008 00	MASTER LEDbulb DimTone 8-40W E27 827	ES	A60	-	25000 hr
442135 00	MAS LEDspotLV DimTone 6.5-35W MR16 24D	GU5.3	MR16	-	25000 hr
442159 00	MAS LEDspotLV DimTone 6.5-35W MR16 36D	GU5.3	MR16	-	25000 hr
438282 00	MASTER LEDspotMV DimTone 4-35W GU10 25D	GU10	-	-	50000 hr

Order code	Full product name	Cap-Base	Bulb	Bulb Finish	Rated Lifetime
438305 00	MASTER LEDspotMV DimTone 4-35W GU10 40D	GU10	-	-	50000 hr
438404 00	MASTER LEDspotMV DimTone 4.5-50W GU10 25D	GU10	-	-	50000 hr
438428 00	MASTER LEDspotMV DimTone 4.5-50W GU10 40D	GU10	-	-	50000 hr

Installation diagrams

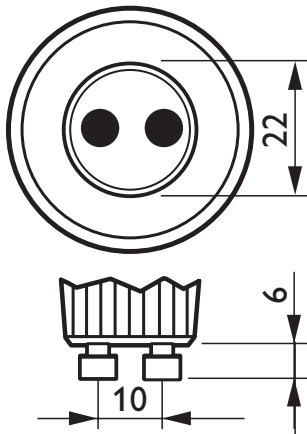


E27

B22

GU5.3

Installation diagrams

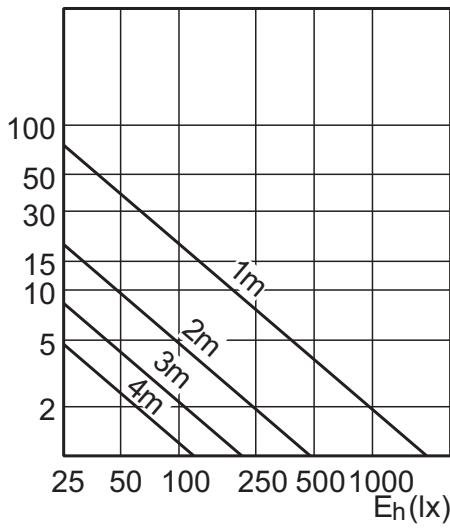


GU10

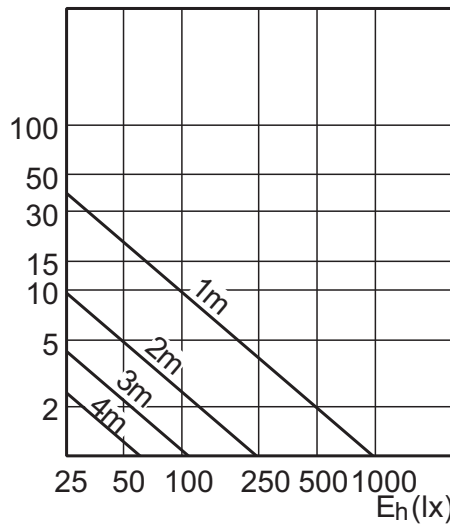
Light Technical Characteristics

Order code	Full product name	Colour Code	Beam Angle	Beam Description	Luminous Flux	Luminous Intensity	Colour rendering index	Colour Temperature	Rated Luminous Flux	LLMF - end nominal lifetime	Rated Beam Angle
191988 00	MASTER LEDbulb DimTone 8-40W B22 827	WW	-	-	470 Lm	-	80	2700 K	470 Lm	70 %	-
192008 00	MASTER LEDbulb DimTone 8-40W E27 827	WW	-	-	470 Lm	-	80	2700 K	470 Lm	70 %	-
442135 00	MAS LEDspotLV DimTone 6.5-35W MR16 24D	WW	24 D	24D	410 Lm	1800 cd	80	2700 K	410 Lm	70 %	24 D
442159 00	MAS LEDspotLV DimTone 6.5-35W MR16 36D	WW	36 D	36D	410 Lm	900 cd	80	2700 K	410 Lm	70 %	36 D
438282 00	MASTER LEDspotMV DimTone 4-35W GU10 25D	822-827	25 D	25D	305 Lm	1000 cd	80	2200-2700 K	305 Lm	70 %	25 D
438305 00	MASTER LEDspotMV DimTone 4-35W GU10 40D	822-827	40 D	40D	305 Lm	600 cd	80	2200-2700 K	305 Lm	70 %	40 D
438404 00	MASTER LEDspotMV DimTone 4.5-50W GU10 25D	822-827	25 D	25D	385 Lm	1400 cd	80	2200-2700 K	385 Lm	70 %	25 D
438428 00	MASTER LEDspotMV DimTone 4.5-50W GU10 40D	822-827	40 D	40D	385 Lm	800 cd	80	2200-2700 K	385 Lm	70 %	40 D

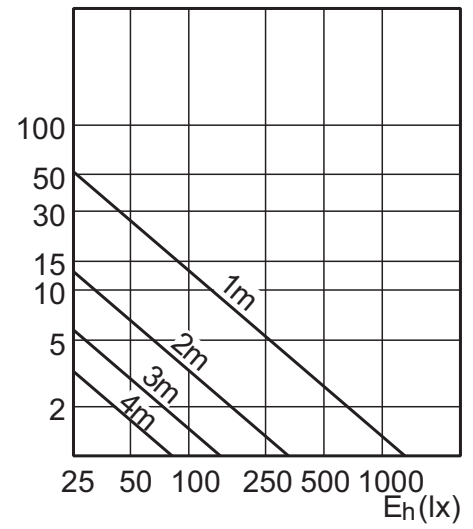
Light technical



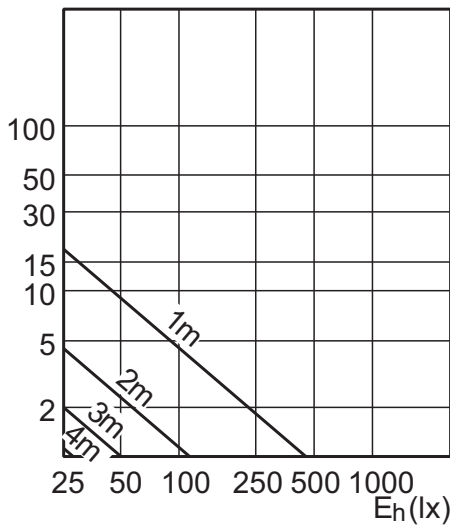
6.5-35 W GU5.3 /827 MR16 24D



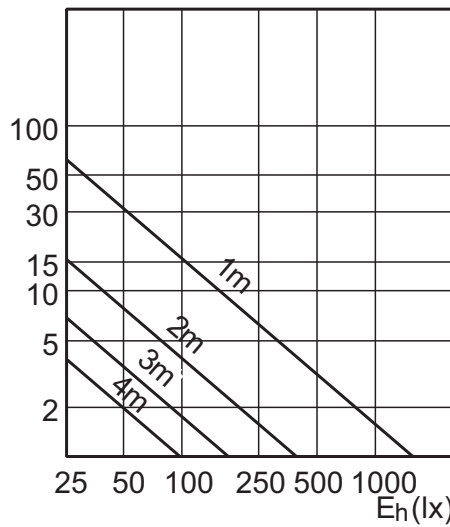
6.5-35 W GU5.3 /827 MR16 36D



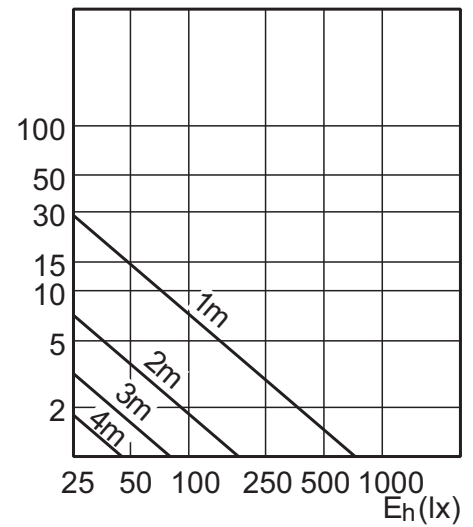
DimTone 4-35W GU10 /822-827 25D



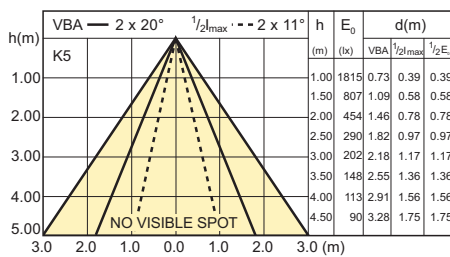
DimTone 4-35W GU10 /822-827 40D



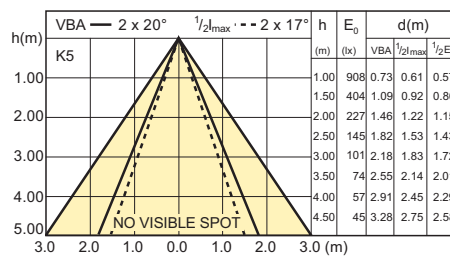
DimTone 4.5-50W GU10 /822-827 25D



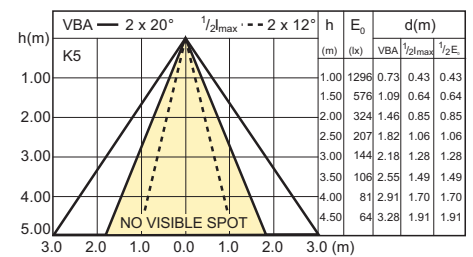
DimTone 4.5-50W GU10 /822-827 40D



6.5-35 W GU5.3 /827 MR16 24D

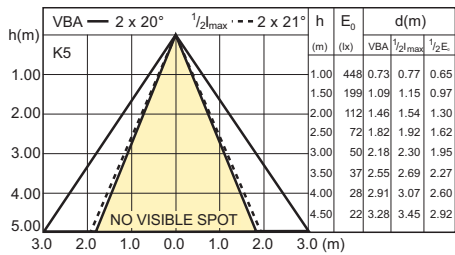


6.5-35 W GU5.3 /827 MR16 36D

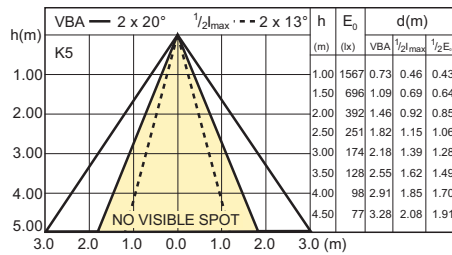


DimTone 4-35W GU10 /822-827 25D

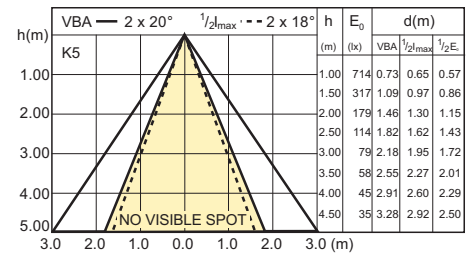
Light technical



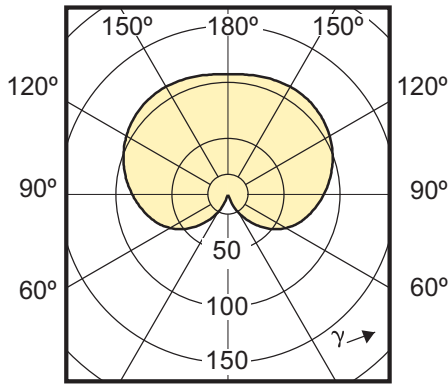
DimTone 4-35W GU10 /822-827 40D



DimTone 4.5-50W GU10 /822-827 25D

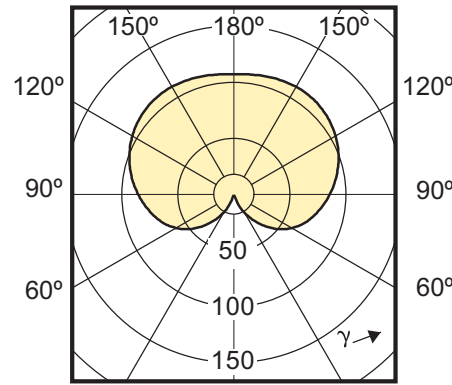


DimTone 4.5-50W GU10 /822-827 40D



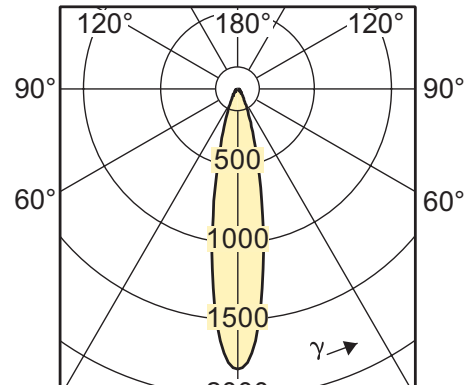
(cd/1000lm) 0°

DimTone 8-40W E27 WW 2700K



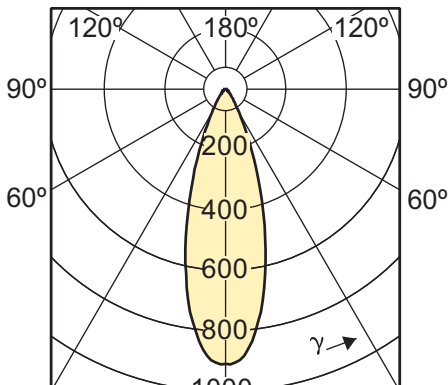
(cd/1000lm) 0°

DimTone 8-40W B22 WW 2700K



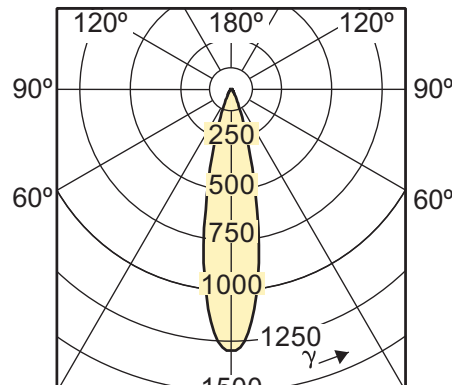
(cd) 0°

6.5-35 W GU5.3 /827 MR16 24D



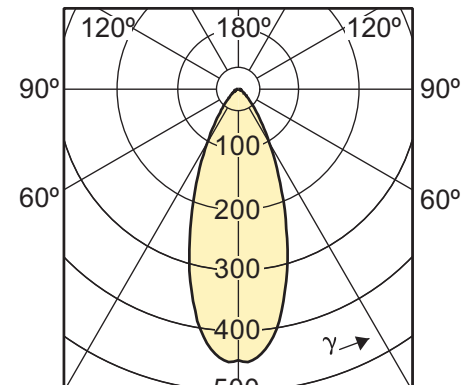
(cd) 0°

6.5-35 W GU5.3 /827 MR16 36D



(cd) 0°

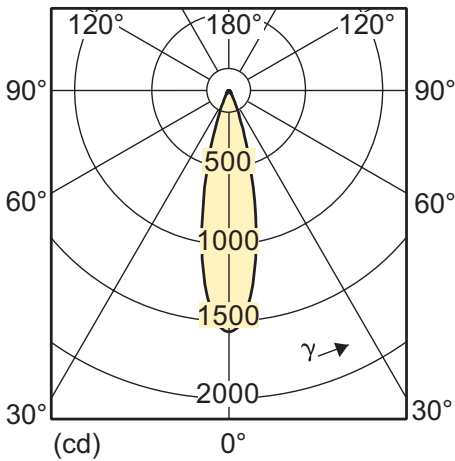
DimTone 4-35W GU10 /822-827 25D



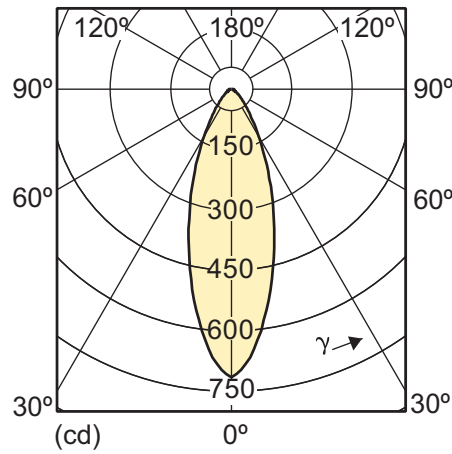
(cd) 0°

DimTone 4-35W GU10 /822-827 40D

Light technical



DimTone 4.5-50W GU10 /822-827 25D



DimTone 4.5-50W GU10 /822-827 40D

Electrical Characteristics

Order code	Full product name	Wattage	Voltage	Line Frequency	Dimmable	Wattage Equiv- alent	Rated Wattage	Starting Time
191988 00	MASTER LEDbulb DimTone 8-40W B22 827	8 W	230 V	50-60 Hz	Yes	40 W	8.0 W	0.5 (max) s
192008 00	MASTER LEDbulb DimTone 8-40W E27 827	8 W	220-240 V	50-60 Hz	Yes	40 W	8.0 W	0.5 (max) s
442135 00	MAS LEDspotLV DimTone 6.5-35W MR16 24D	6.5 W	12 V	50-60 Hz	Yes	35 W	6.5 W	0.5 (max) s
442159 00	MAS LEDspotLV DimTone 6.5-35W MR16 36D	6.5 W	12 V	50-60 Hz	Yes	35 W	6.5 W	0.5 (max) s
438282 00	MASTER LEDspotMV DimTone 4-35W GU10 25D	4 W	220-240 V	50-60 Hz	Yes	35 W	4.0 W	0.5 (max) s
438305 00	MASTER LEDspotMV DimTone 4-35W GU10 40D	4 W	220-240 V	50-60 Hz	Yes	35 W	4.0 W	0.5 (max) s
438404 00	MASTER LEDspotMV DimTone 4.5-50W GU10 25D	4.5 W	220-240 V	50-60 Hz	Yes	50 W	4.5 W	0.5 (max) s
438428 00	MASTER LEDspotMV DimTone 4.5-50W GU10 40D	4.5 W	220-240 V	50-60 Hz	Yes	50 W	4.5 W	0.5 (max) s

Temperature Characteristics

Order code	Full product name	T-case maximum
191988 00	MASTER LEDbulb DimTone 8-40W B22 827	100 C
192008 00	MASTER LEDbulb DimTone 8-40W E27 827	100 C
442135 00	MAS LEDspotLV DimTone 6.5-35W MR16 24D	C
442159 00	MAS LEDspotLV DimTone 6.5-35W MR16 36D	C
438282 00	MASTER LEDspotMV DimTone 4-35W GU10 25D	70 C
438305 00	MASTER LEDspotMV DimTone 4-35W GU10 40D	70 C
438404 00	MASTER LEDspotMV DimTone 4.5-50W GU10 25D	75 C
438428 00	MASTER LEDspotMV DimTone 4.5-50W GU10 40D	75 C

Environmental characteristics

Order code	Full product name	Energy Effi- ciency Label (EEL)	Energy consumption kWh/1000h
191988 00	MASTER LEDbulb DimTone 8-40W B22 827	A	8 kWh
192008 00	MASTER LEDbulb DimTone 8-40W E27 827	A	8 kWh
442135 00	MAS LEDspotLV DimTone 6.5-35W MR16 24D	A	7 kWh
442159 00	MAS LEDspotLV DimTone 6.5-35W MR16 36D	A	7 kWh
438282 00	MASTER LEDspotMV DimTone 4-35W GU10 25D	A+	4 kWh
438305 00	MASTER LEDspotMV DimTone 4-35W GU10 40D	A+	4 kWh



### Measuring Conditions

Order code	Full product name	Energy Efficiency Label (EEL)	Energy consumption kWh/1000h
438404 00	MASTER LEDspotMV DimTone 4.5-50W GU10 25D	A+	5 kWh
438428 00	MASTER LEDspotMV DimTone 4.5-50W GU10 40D	A+	5 kWh

Order code	Full product name	Switching cycle
191988 00	MASTER LEDbulb DimTone 8-40W B22 827	50000X
192008 00	MASTER LEDbulb DimTone 8-40W E27 827	50000X
442135 00	MAS LEDspotLV DimTone 6.5-35W MR16 24D	50000X
442159 00	MAS LEDspotLV DimTone 6.5-35W MR16 36D	50000X
438282 00	MASTER LEDspotMV DimTone 4-35W GU10 25D	50000X
438305 00	MASTER LEDspotMV DimTone 4-35W GU10 40D	50000X
438404 00	MASTER LEDspotMV DimTone 4.5-50W GU10 25D	50000X
438428 00	MASTER LEDspotMV DimTone 4.5-50W GU10 40D	50000X



© 2015 Koninklijke Philips N.V. (Royal Philips)  
All rights reserved.

Specifications are subject to change without notice. Trademarks are the property of Koninklijke Philips N.V. (Royal Philips) or their respective owners.

[www.philips.com/lighting](http://www.philips.com/lighting)

2015, July 22  
data subject to change