

R3G133-RA01-03

EC centrifugal fan - RadiCal

backward-curved, single-intake



ebm-papst Mulfingen GmbH & Co. KG

Bachmühle 2 · D-74673 Mulfingen

Phone +49 7938 81-0

Fax +49 7938 81-110

info1@de.ebmpapst.com

www.ebmpapst.com

Limited partnership · Headquarters Mulfingen

Amtsgericht (court of registration) Stuttgart · HRA 590344

General partner Elektrobau Mulfingen GmbH · Headquarters Mulfingen

Amtsgericht (court of registration) Stuttgart · HRB 590142

Nominal data

| | | |
|--------------------------|-------------------|------------|
| Type | R3G133-RA01-03 | |
| Motor | M3G045-AI | |
| Phase | | 1~ |
| Nominal voltage | VAC | 230 |
| Nominal voltage range | VAC | 200 .. 240 |
| Frequency | Hz | 50/60 |
| Method of obtaining data | | ml |
| Speed (rpm) | min ⁻¹ | 3770 |
| Power consumption | W | 27 |
| Current draw | A | 0.27 |
| Min. ambient temperature | °C | -25 |
| Max. ambient temperature | °C | 60 |

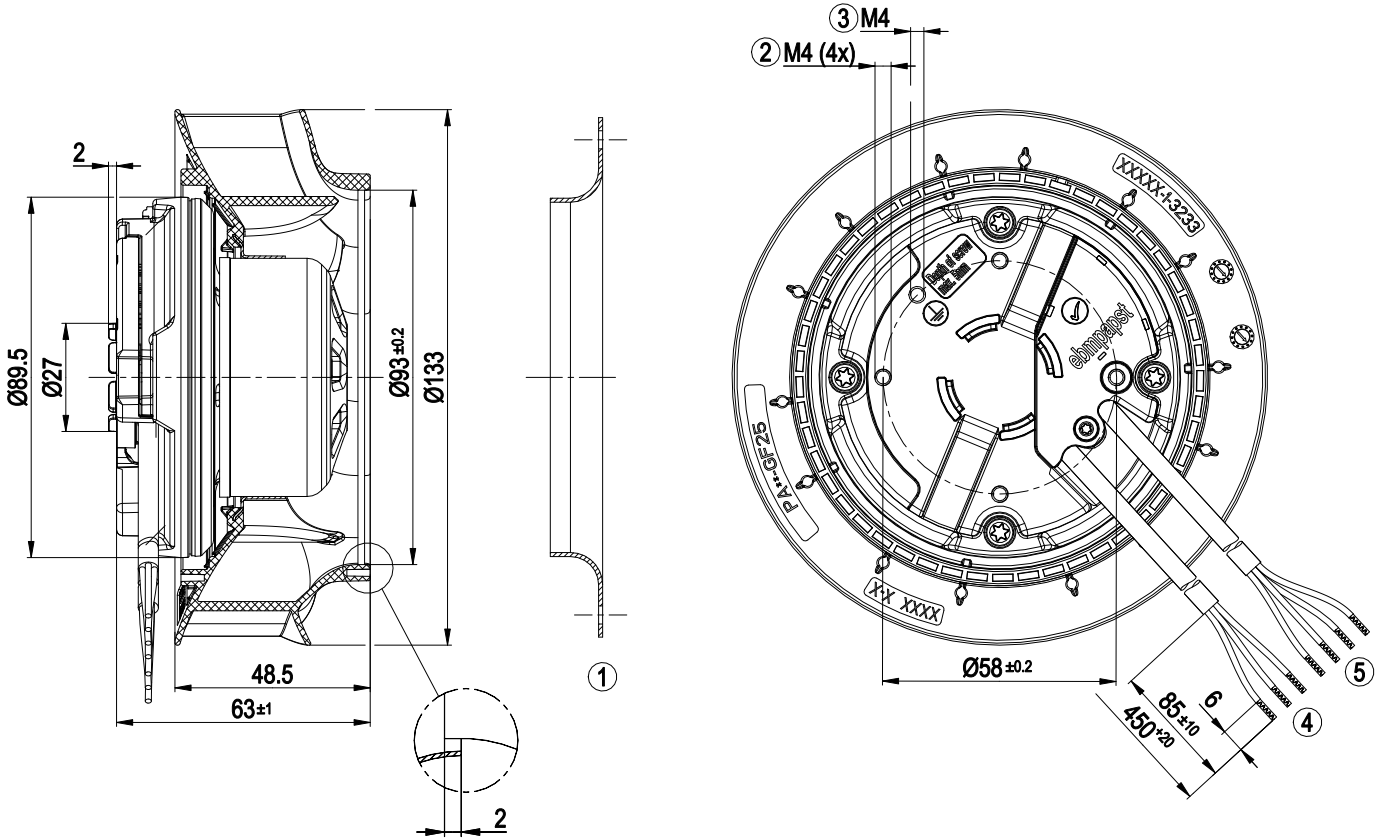
ml = Max. load · me = Max. efficiency · fa = Free air · cs = Customer specification · ce = Customer equipment
Subject to change



Technical description

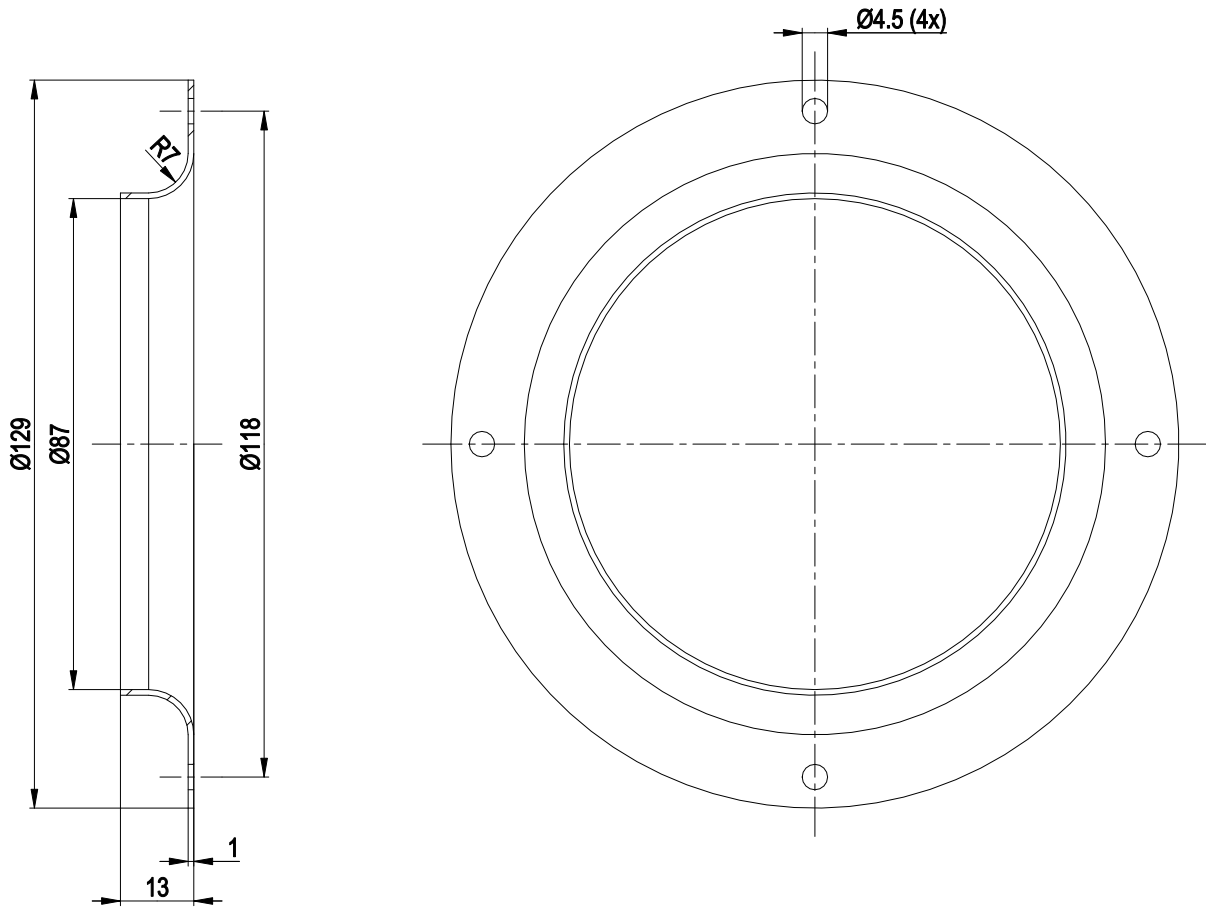
| | |
|---|--|
| Weight | 0.5 kg |
| Size | 133 mm |
| Motor size | 45 |
| Rotor surface | Thick-film passivated |
| Electronics housing material | Die-cast aluminum |
| Impeller material | PP plastic |
| Number of blades | 7 |
| Direction of rotation | Clockwise, viewed toward rotor |
| Degree of protection | IP54 |
| Insulation class | "B" |
| Moisture (F) / Environmental (H) protection class | H1+ |
| Max. permitted ambient temp. for motor (transport/storage) | + 80 °C |
| Min. permitted ambient temp. for motor (transport/storage) | - 40 °C |
| Installation position | Any |
| Condensation drainage holes | None, open rotor |
| Mode | S1 |
| Motor bearing | Ball bearing |
| Technical features | <ul style="list-style-type: none"> - Output 10 VDC, max. 1.1 mA - Tach output - Power limiter - Motor current limitation - Soft start - Control input 0-10 VDC / PWM - Control interface with SELV potential safely disconnected from supply - Overvoltage detection - Thermal overload protection for electronics/motor - Line undervoltage detection |
| EMC immunity to interference | According to EN 61000-6-2 (industrial environment) |
| EMC circuit feedback | According to EN 61000-3-2/3 |
| EMC interference emission | According to EN 61000-6-3 (household environment) |
| Touch current according to IEC 60990 (measuring circuit Fig. 4, TN system) | <= 3.5 mA |
| Motor protection | Electronic motor protection |
| With cable | Variable |
| Protection class | I (with customer connection of protective earth) |
| Conformity with standards | EN 60335-1; CE |
| Approval | CSA C22.2 No. 77 + CAN/CSA-E60730-1; CCC; EAC; UL 1004-7 + 60730-1; VDE |

Product drawing



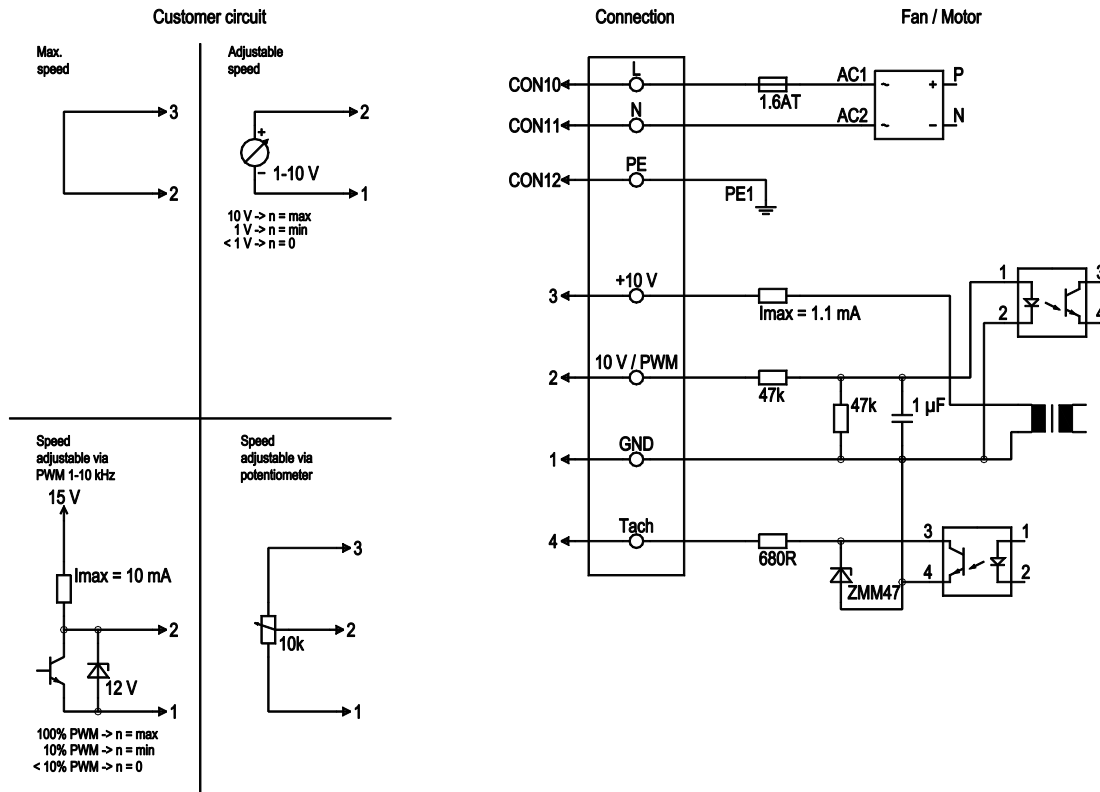
| | |
|---|--|
| 1 | Accessory part: inlet ring 09566-2-4013, not included in scope of delivery |
| 2 | Max. clearance for screw 5 mm |
| 3 | Max. clearance for screw 5 mm |
| 4 | Cable PVC AWG20, 3x crimped splices |
| 5 | Cable PVC AWG22, 4x crimped splices |

Accessory part



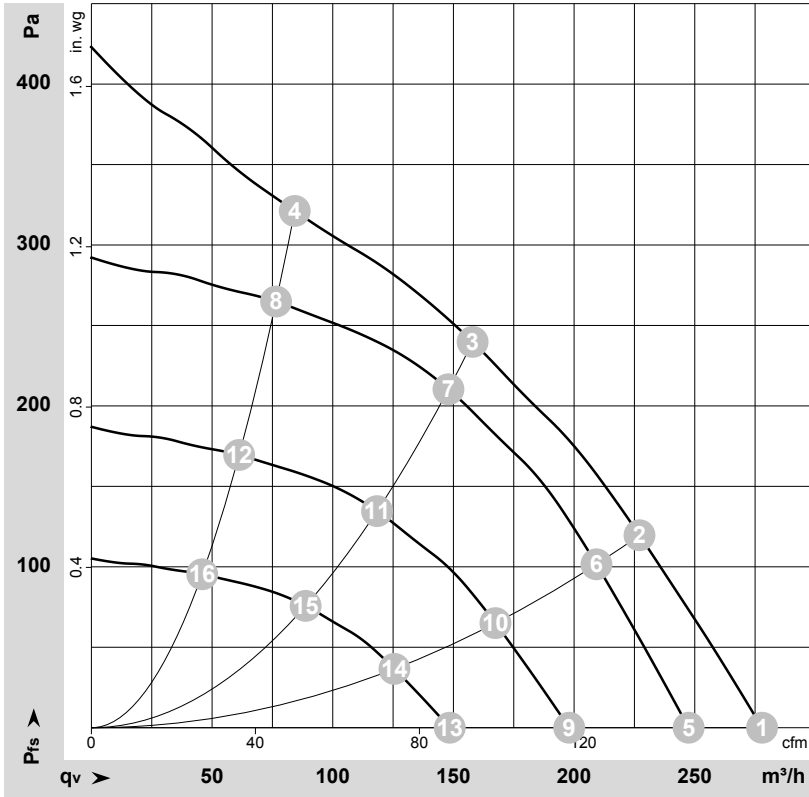
1 Accessory part: inlet ring 09566-2-4013 not included in scope of delivery

Connection diagram



| No. | Conn. | Designation | Color | Function/assignment |
|-----|-------|----------------|--------------|---|
| | CON10 | L | black | Power supply 230 VAC, 50-60 Hz, see nameplate for voltage range |
| | CON11 | N | blue | Neutral conductor |
| | CON12 | PE | green/yellow | Protective earth |
| | 1 | GND | blue | GND connection for control interface |
| | 2 | 0- 10V PWM | yellow | Control input 0-10 V or PWM, electrically isolated |
| | 3 | 10V/ max 1.1mA | red | Voltage output 10 V / 1.1 mA, electrically isolated, not short-circuit-proof. |
| | 4 | Tach | white | Tach output: open collector, 1 pulse per revolution, electrically isolated |

Curves: Air performance 50 Hz



$\rho = 1.15 \text{ kg/m}^3 \pm 2 \%$

Measurement: LU-131806-1

Air performance measured according to ISO 5801 installation category A. For detailed information on the measurement setup, contact ebmpapst. Intake sound level: Sound power level according to ISO 13347 / sound pressure level measured at 1 m distance from fan axis. The values given are valid under the specified measuring conditions and may vary due to conditions of installation. For deviations from the standard configuration, the parameters have to be checked on the installed unit.

Measured values

| | U | f | n | P _{ed} | I | LpA _{in} | LwA _{in} | q _v | P _{fs} | q _v | P _{fs} |
|----|-----|----|-------------------|-----------------|------|-------------------|-------------------|-------------------|-----------------|----------------|-----------------|
| | V | Hz | min ⁻¹ | W | A | dB(A) | dB(A) | m ³ /h | Pa | cfm | in. wg |
| 1 | 230 | 50 | 3930 | 24 | 0.23 | 58 | 66 | 280 | 0 | 165 | 0.00 |
| 2 | 230 | 50 | 3800 | 26 | 0.26 | 54 | 63 | 225 | 120 | 135 | 0.48 |
| 3 | 230 | 50 | 3770 | 27 | 0.27 | 52 | 61 | 160 | 240 | 95 | 0.96 |
| 4 | 230 | 50 | 3850 | 25 | 0.25 | 56 | 66 | 85 | 320 | 50 | 1.28 |
| 5 | 230 | 50 | 3500 | 17 | 0.16 | 55 | 64 | 245 | 0 | 145 | 0.00 |
| 6 | 230 | 50 | 3500 | 20 | 0.20 | 52 | 61 | 210 | 102 | 125 | 0.41 |
| 7 | 230 | 50 | 3500 | 22 | 0.22 | 50 | 59 | 150 | 211 | 85 | 0.85 |
| 8 | 230 | 50 | 3500 | 19 | 0.18 | 54 | 64 | 75 | 265 | 45 | 1.06 |
| 9 | 230 | 50 | 2800 | 9.0 | 0.08 | 49 | 58 | 200 | 0 | 115 | 0.00 |
| 10 | 230 | 50 | 2800 | 10.0 | 0.10 | 47 | 56 | 165 | 65 | 100 | 0.26 |
| 11 | 230 | 50 | 2800 | 11 | 0.11 | 45 | 54 | 120 | 135 | 70 | 0.54 |
| 12 | 230 | 50 | 2800 | 10.0 | 0.09 | 48 | 58 | 60 | 170 | 35 | 0.68 |
| 13 | 230 | 50 | 2100 | 4.0 | 0.03 | 42 | 51 | 150 | 0 | 85 | 0.00 |
| 14 | 230 | 50 | 2100 | 4.0 | 0.04 | 39 | 48 | 125 | 37 | 75 | 0.15 |
| 15 | 230 | 50 | 2100 | 5.0 | 0.05 | 37 | 46 | 90 | 76 | 50 | 0.31 |
| 16 | 230 | 50 | 2100 | 4.0 | 0.04 | 41 | 51 | 45 | 95 | 25 | 0.38 |

U = Voltage · f = Frequency · n = Speed (rpm) · P_{ed} = Power consumption · I = Current draw · LpA_{in} = Sound pressure level intake side · LwA_{in} = Sound power level intake side
 q_v = Air flow · P_{fs} = Pressure increase

