

Standard panel mount package, 3-phases

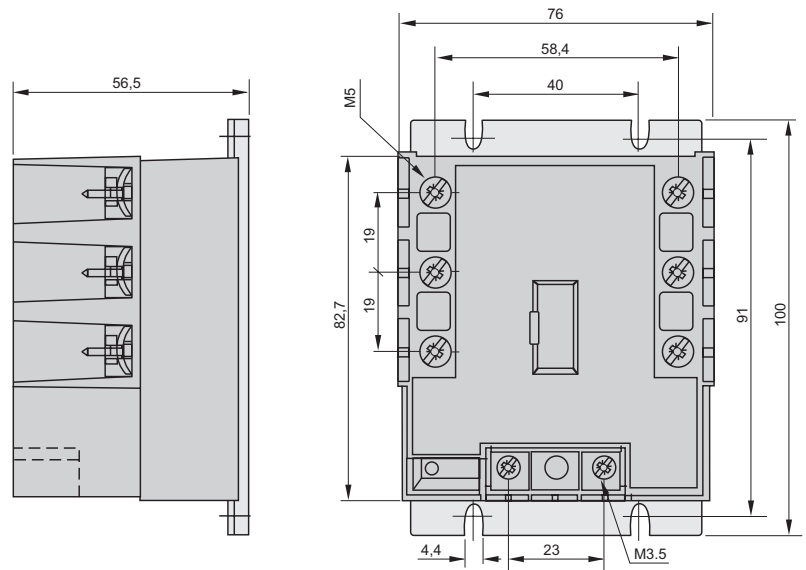
Solid-state relay HL

- Control voltage range: 8,5 ... 30 VDC, 90 ... 240 VAC/DC
- Load voltage range: 24 ... 520 VAC
- Load current range: 3 x 50 A

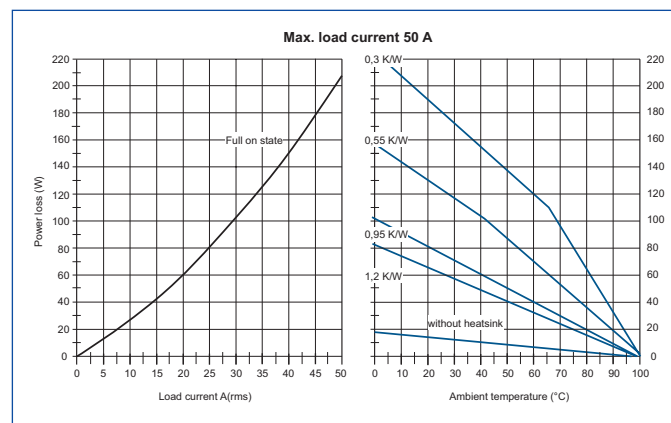


Construction V

Dimensions



Thermal diagrams



Heat sinks see on pages 32, 33 and 34

Standard panel mount package, 3-phases

Solid-state relay HL

Technical specifications	HL D5250	HL A5250
Zero switching	Yes	Yes
Instantaneous switching-on	–	–
Control circuit	DC	AC
Load circuit	AC	AC
Load circuit		
Voltage range	24 ... 520 VAC	24 ... 520 VAC
Operating frequency range	10 ... 440 Hz	10 ... 440 Hz
Transient overvoltage	1200 V	1200 V
Load current range	3x 5 mA ... 50 A	3x 5 mA ... 50 A
Max. surge current (10 ms)	550 A	550 A
Max. off-state leakage current (rated voltage)	5 mA	5 mA
Min. off-state du/dt	500 V/ μ s	500 V/ μ s
Max. on-state voltage drop	1,4 V	1,4 V
Max. turn-on time	10 ms	10 ms
Max. turn-off time	10 ms	10 ms
Max. I ² t for fusing (10 ms)	1500 A ² s	1500 A ² s
Thermal resistance to base	0,7 K/W	0,7 K/W
Control circuit		
Control voltage range	8,5 ... 30 VDC	90 ... 240 VAC/DC
Must release voltage	4 V	4 V
Max. reverse voltage	30 V	–
Typical input current at nominal voltage	35 mA	11 mA
Generalities		
Insulation input/output/base	4000/3300 Vrms	4000/3300 Vrms
Insulation resistance	620 Ω	21 K Ω
Ambient operating temperature range	-40 ... +100 °C	-40 ... +100 °C
Ambient storage temperature range	-40 ... +100 °C	-40 ... +100 °C
Weight (typical)	410 g	410 g
Approvals	UL	UL
Screw torque requirements:		
M3,5screws (Control circuit)	1,2 Nm	1,2 Nm
M5 screws (Load circuit)	1,8 Nm	1,8 Nm
Article number	42310143	42310142
(Order data see chapter 1)		