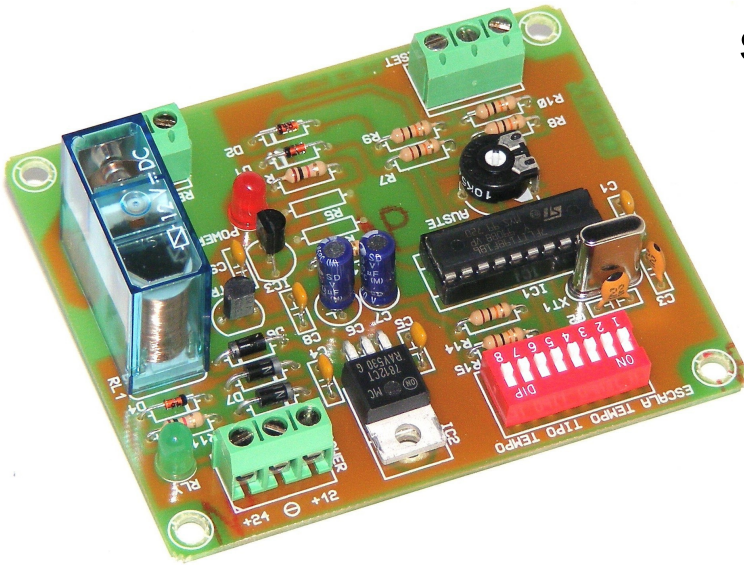




DIGITAL TIMER 1 Time set by POTENTIOMETER I-300

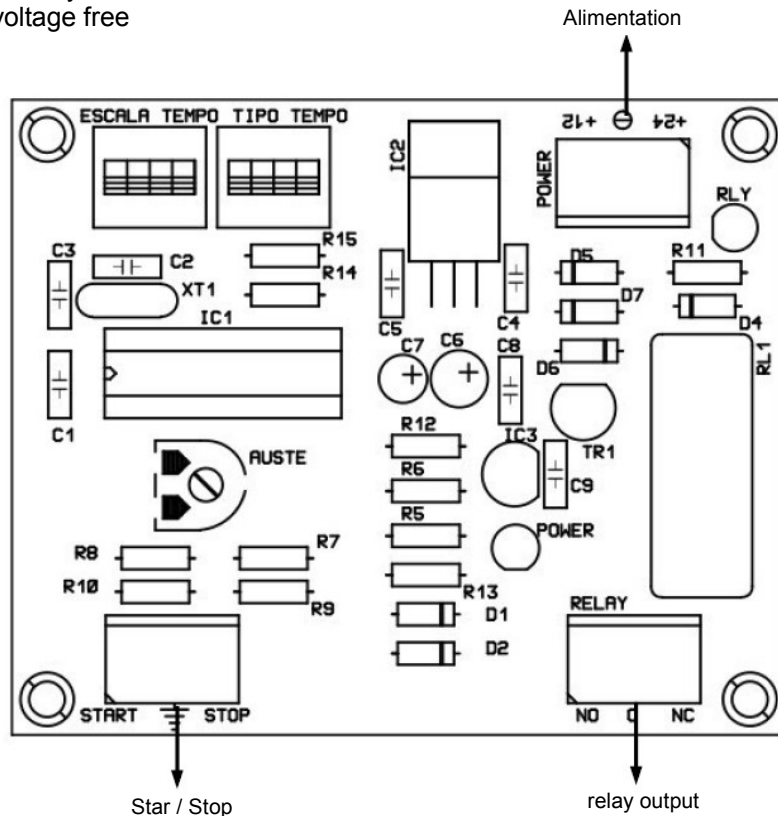


TECHNICAL CHARACTERISTICS

Alimentation	12-24 V dc
Consumption maximum.....	65 mA
Relay Output / Maximum	230 V / 3 A max
Minimum Time.....	0.1 seconds
Maximum Time.....	60 minutes
Net weight	54 gr.
Dimensions.....	87 x 72 x 26 mm.
Recommended Power Supply	FE 103
Optional DIN rail	C-7566

GENERAL CHARACTERISTICS

- It has 14 operating modes
- There are 16 time scales
- Time setting potentiometer
- POWER LED lights when the timer is powered
- RLY Led lit when the relay is activated
- Timer dials to select the timer you want to model
- Dips Timer RANGE to select the timer operating margin
- ADJUST knob to select the working time of the timer
- START button input can start the timer (depending on model)
- RESET input allows to stop the timer at any time
- Output relay contacts open / closed voltage free



Types of timers

	DIPS	SW5	SW6	SW7	SW8	FUNCTION	Equiv.
1		OFF	OFF	OFF	OFF	Monostable / button	I - 1
2		ON	OFF	OFF	OFF	Monostable / Voltage	I - 1
3		OFF	ON	OFF	OFF	Monostable / Pausable / button	
4		ON	ON	OFF	OFF	Monostable / Reset / Button	
5		OFF	OFF	ON	OFF	Monostable / button for opening	
6		ON	OFF	ON	OFF	Monostable / retriggerable / button	I - 30
7		OFF	ON	ON	OFF	Monostable / Cumulative / button	
8		ON	ON	ON	OFF	Set delay start on / Tension	I - 36
9		OFF	OFF	OFF	ON	Set delay start on / Push	I - 36
10		ON	OFF	OFF	ON	Set delay start on / retriggerable / button	
11		OFF	ON	OFF	ON	Set delay start on / Cumulative / button	
12		ON	ON	OFF	ON	Activator-retardant / button	I - 38
13		OFF	OFF	ON	ON	Activator-retardant / retriggerable / button	
14		ON	OFF	ON	ON	Activator-retardant / Cumulative / button	

1 - Pushbutton Monostable (Equivalent I - 1/2/3)

STAR button to close the relay is energized and remain energized until time is up.

2 - Monostable voltage (equivalent I - 1/2/3)

When the power relay is energized and remain energized until time is up.

3 - Push-pausable Monastery

START button to close the relay is energized and remain energized until the end of the time If closed during timing and holding down the START button, time pauses. When you open the START continuous timing.

4 - Push-resettable monostable

Closing the START push button activates the relay, staying on until time is up. If during the timing START button closes the relay releases

5 - Monostable switch contacts open

By closing the switch ignores the timer START, START button to open the relay is activated and remain activated until time is up .

6 - Push-retriggerable monostable (Equivalent I - 30/31)

START button to close the relay is energized and remain energized until time is up. If during the timing is closes the START button is reset and begins timing time again

7 - Pushbutton Monostable cumulative

START button to close the relay is energized and remain energized until time is up. If during the timing is START button closes builds another time period.

8 - Delay start-up voltage (Equivalent R 36/37)

When the power starts without connecting the timing relay. When time is connected to the relay, it is fixed to turn off the power

9 - Delay start launched by button (Equivalent R 36/37)

Closing the STAR button starts the timer without connecting the relay. When time is connected to the relay, it is fixed to disconnect power

10 - Delay start button retriggerable by

Closing the START button starts the timer without connecting the relay. If timing is closed during the START button resets the timer and start the time again. When time is connected to the relay, it is fixed to Food disconnect.

11 - Delay start button accumulative

Closing the START button starts the timer without connecting the relay. If the timing for closing the START button builds another time period. When time is connected to the relay, it is fixed to disconnect the feeding.

12 - Push-delayed activity (Equivalent I - 38/39)

Closing the START button activates the relay but without timer, open the START button starts the timer stays on until time is up.

13 - Push-retriggerable delayed action

Closing the START button is activated but without a timer relay, opening the button starts the timer stays on until time is up. If timing is closed during the START button resets the timer and start the time again.

14 - Push-cumulative delayed action

Closing the START pressed the relay is activated without timer, open the START button starts the timer to remain active until the end of the time. If the timing for closing the START button accumulates another term time

TIME SCALES

	DIPS	SW 1	SW2	SW 3	SW 4	TIME SCALES
1		OFF	OFF	OFF	OFF	De 0 a 10 seconds
2		ON	OFF	OFF	OFF	De 10 a 20 seconds
3		OFF	ON	OFF	OFF	De 20 a 30 seconds
4		ON	ON	OFF	OFF	De 30 a 40 seconds
5		OFF	OFF	ON	OFF	De 40 a 50 seconds
6		ON	OFF	ON	OFF	De 50 a 60 seconds
7		OFF	ON	ON	OFF	De 1 a 2 minutes
8		ON	ON	ON	OFF	De 2 a 4 minutes
9		OFF	OFF	OFF	ON	De 4 a 6 minutes
10		ON	OFF	OFF	ON	De 6 a 8 minutes
11		OFF	ON	OFF	ON	De 8 a 10 minutes
12		ON	ON	OFF	ON	De 10 a 20 minutes
13		OFF	OFF	ON	ON	De 20 a 30 minutes
14		ON	OFF	ON	ON	De 30 a 40 minutes
15		OFF	ON	ON	ON	De 40 a 50 minutes
16		ON	ON	ON	ON	De 50 a 60 minutes

TIMER PROGRAMMING.

IMPORTANT. The timer as supplied factory is not recorded in any kind of timer, or time to work, you must schedule it before first use.

Failure to act as a type 1 program, time 1 second.

STEPS TO SET THE TIMER

Disconnect the power

Select TIMER dips in the desired pattern

Select from the TIMER SCALE Dips desired time interval

Select the desired time adjustable potentiometer Once these 3 steps connect the power and the timer is programmed and ready to work.

Note. If you chose a starting model for voltage at power ripped

OPERATION

The timer is programmed and ready to go turn the power.

To start the timer press START button.

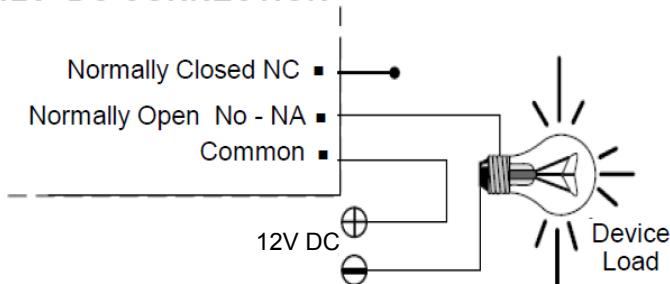
To stop / reset at any time tempización press STOP button

IMPORTANT. During the working time both DIPS programming time as the potentiometer are ignored by the timer, so you can no longer function reschedule any work until the time runs out

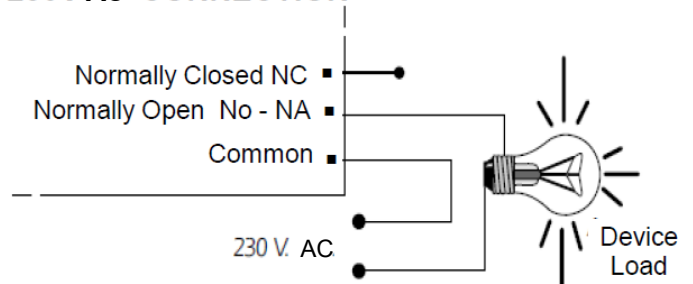
RESCHEDULE. Disconnect the power and perform the same steps as indicated in the previous section PROGRAM TIMER

OUTPUT CONNECTION. LOAD. The output is controlled by a relay device that supports any type of load does not exceed 3 A. The relay has three output terminals. The rest normally open (NO), the normally closed at rest (NC), and the common operation of this mechanism is identical to a switch, whose two terminals NA and the common To perform the inverse function must be used NC and Common terminals The figure shows the typical connection for a device with operation to 12 V. DC. and another operating at 230 V. AC

12V DC CONNECTION

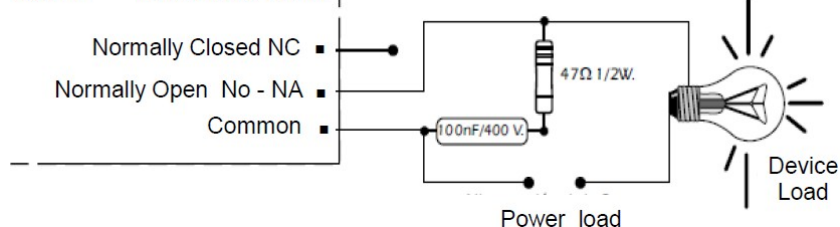


230V AC CONNECTION



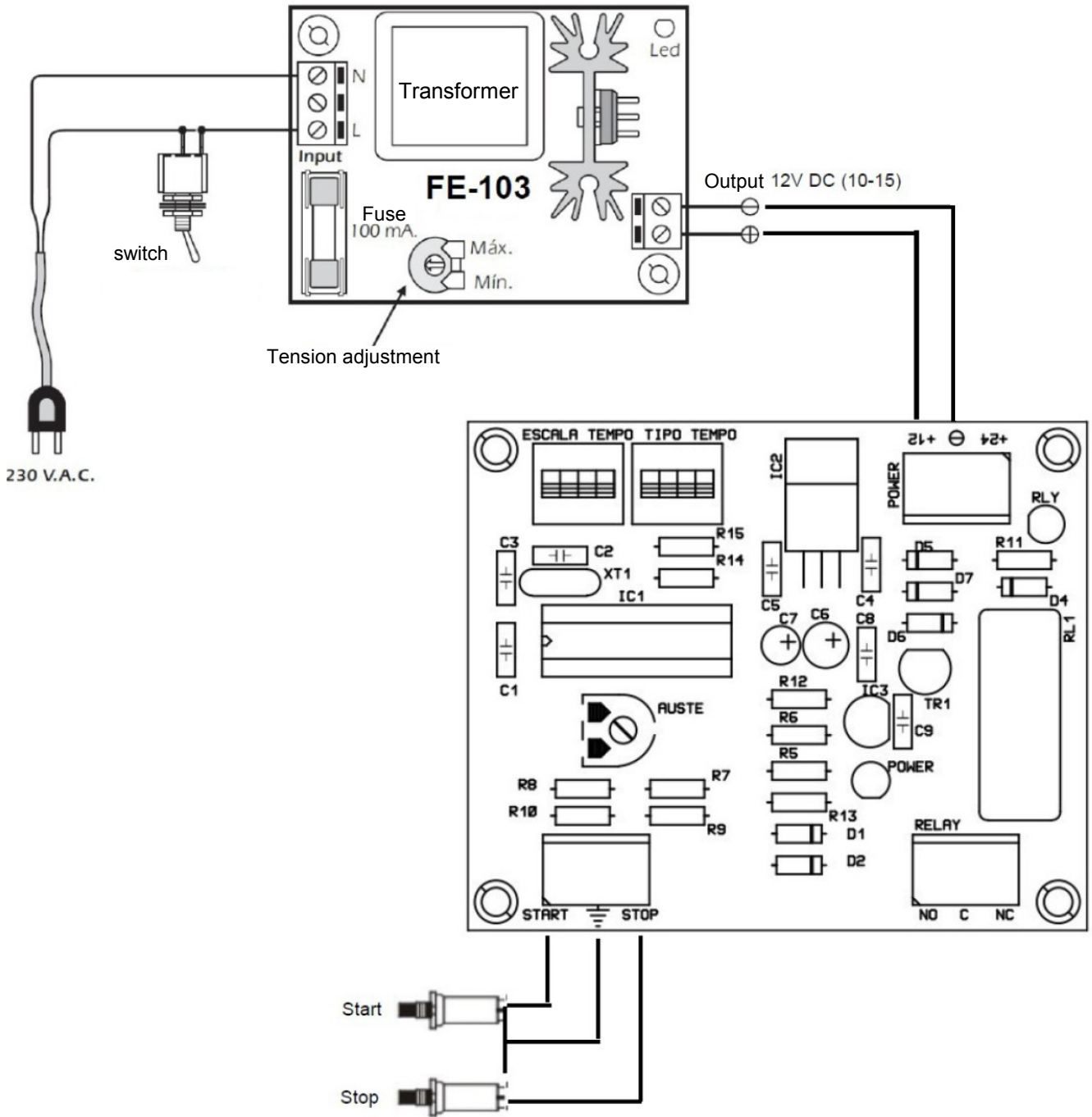
ABOUT THE OUTPUT. During operation of the circuit, and according to its load, may cause a fluctuation or an incorrect operation of the output. If this occurs, install a spark between the two circuit relay contacts used in the connection, as shown in the drawing

230 V AC CONNECTION



NOTE: To connect loads to 12 V. DC resistance and to eliminate single capacitor

EXAMPLE OF INSTALLATION



Cebek [®] is a registered trademark of the Fadisel group