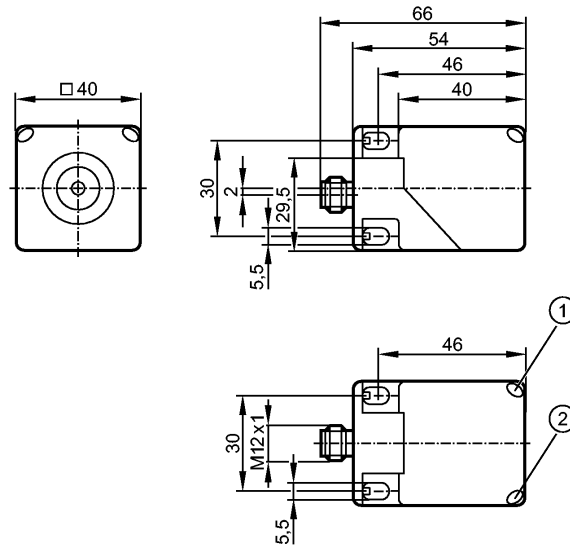


**IM5123**

IMC4020BCPKG/US-100-DPA

Inductive sensors



- 1: LED yellow
- 2: LED green

Made in Germany



**Product characteristics**

Inductive sensor
Rectangular, plastics
Connector
5 positions of the sensing face selectable
Sensing range 20 mm; [f] flush mountable

**Electrical data**

Electrical design	DC PNP
Operating voltage [V]	10...36 DC *)
Current consumption [mA]	< 25
Protection class	II
Reverse polarity protection	yes

**Outputs**

Output function	complementary
Voltage drop [V]	< 2.5
Leakage current [mA]	< 0.1
Current rating [mA]	200
Short-circuit protection	pulsed
Overload protection	yes
Switching frequency [Hz]	100

**Range**

Sensing range [mm]	20
Operating distance [mm]	0...16.2

**Accuracy / deviations**

Correction factors	mild steel = 1 / stainless steel approx. 0.7 / brass approx. 0.4 / Al approx. 0.4 / Cu approx. 0.3
Hysteresis [% of Sr]	1...20

**Environment**

Ambient temperature [°C]	-25...70
--------------------------	----------

## IM5123

IMC4020BCPKG/US-100-DPA

Inductive sensors

Protection	IP 67
------------	-------

### Tests / approvals

EMC	EN 61000-4-2 ESD: 8 kV CD / 6 kV AD
	EN 61000-4-3 HF radiated: 10 V/m (80...1000 MHz)
	EN 61000-4-4 Burst: 2 kV
	EN 61000-4-5 Surge: 0.5 kV (line to line, Ri: 20hm)
	EN 61000-4-6 HF conducted: 10 V (0.15...80 MHz)
	EN 55011: class B

MTTF [Years]	1270
--------------	------

### Mechanical data

Mounting	flush mountable
----------	-----------------

Housing materials	PA (polyamide)
-------------------	----------------

Weight [kg]	0.146
-------------	-------

### Displays / operating elements

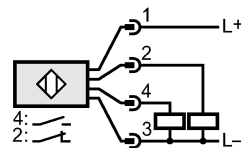
Output status indication LED	yellow
------------------------------	--------

Operation LED	green
---------------	-------

### Electrical connection

Connection	M12 connector; rotatable, locking
------------	-----------------------------------

#### Wiring



### Remarks

Remarks	*) cULus - Class 2 source required
---------	------------------------------------

Pack quantity [piece]	1
-----------------------	---