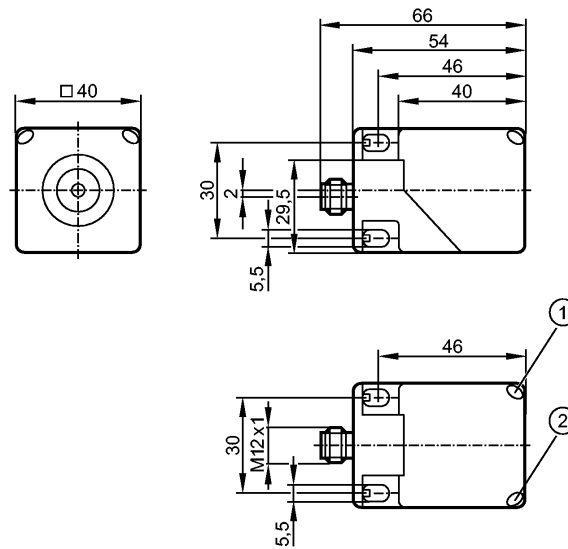


**IM5134**

IMC4035-CPKG/US-100-DPA

Inductive sensors



- 1: LED yellow
- 2: LED green



**Product characteristics**

Inductive sensor
Rectangular, plastics
Connector
5 positions of the sensing face selectable
Sensing range 35 mm; [nf] non-flush mountable

**Electrical data**

Electrical design	DC PNP
Operating voltage [V]	10...36 DC; "supply class 2" to cULus.
Current consumption [mA]	< 20
Protection class	II
Reverse polarity protection	yes

**Outputs**

Output function	complementary
Voltage drop [V]	< 2.5
Leakage current [mA]	< 0.1
Current rating [mA]	200
Short-circuit protection	pulsed
Overload protection	yes
Switching frequency [Hz]	80

**Range**

Sensing range [mm]	35
Real sensing range (Sr) [mm]	35 ± 10 %
Operating distance [mm]	0...28.3

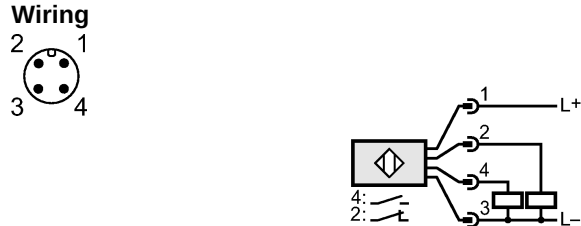
**Accuracy / deviations**

Correction factors	mild steel = 1 / stainless steel approx. 0.7 / brass approx. 0.4 / Al approx. 0.4 / Cu approx. 0.3
Hysteresis [% of Sr]	1...20
Switch-point drift [% of Sr]	-10...10

## IM5134

IMC4035-CPKG/US-100-DPA

Inductive sensors

Environment		
Ambient temperature	[°C]	-25...70
Protection		IP 67
Tests / approvals		
EMC		EN 61000-4-2 ESD: 8 kV CD / 6 kV AD EN 61000-4-3 HF radiated: 10 V/m EN 61000-4-4 Burst: 2 kV EN 61000-4-5 Surge: 0.5 kV (line to line, Ri: 20hm) EN 61000-4-6 HF conducted: 10 V EN 55011: class B
MTTF	[Years]	1208
Mechanical data		
Mounting		non-flush mountable
Housing materials		housing: PA (polyamide); connector: stainless steel
Weight	[kg]	0.153
Displays / operating elements		
Output status indication	LED	yellow
Operation	LED	green
Electrical connection		
Connection		M12 connector; rotatable, locking
<b>Wiring</b> 		
Remarks		
Pack quantity	[piece]	1