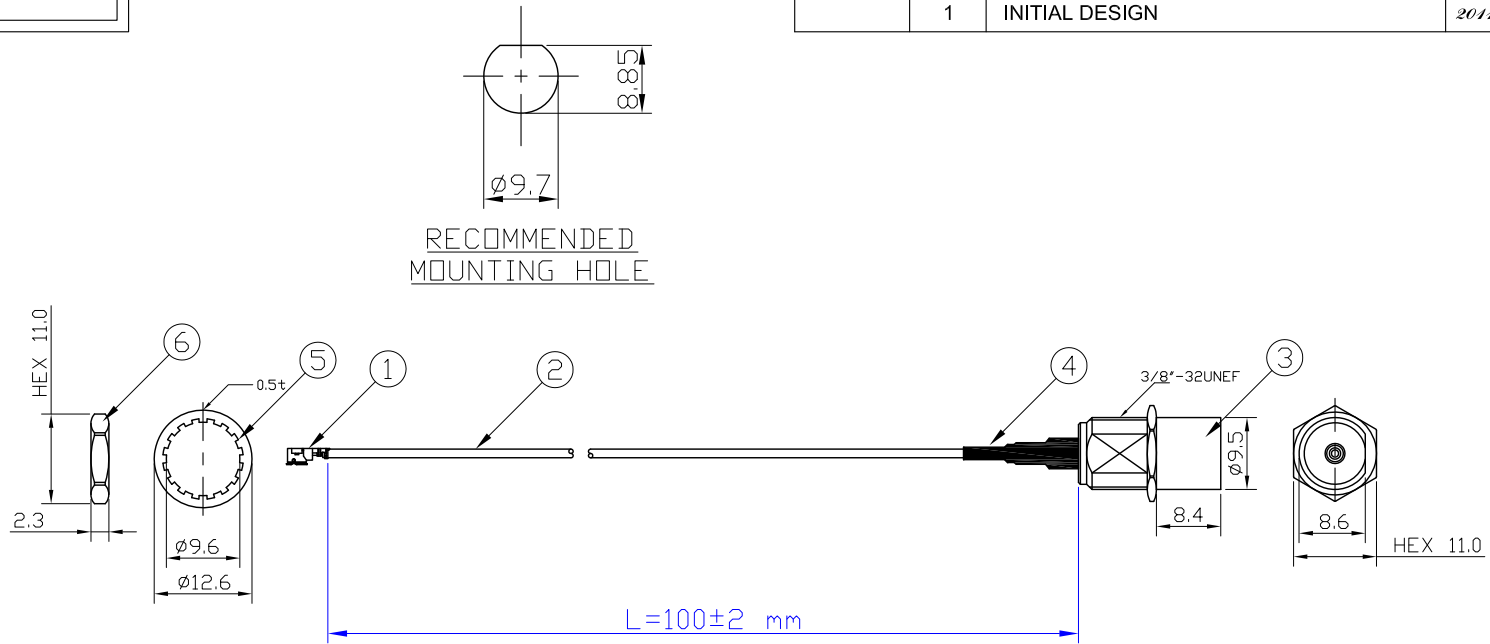


RoHS COMPLIANT

REVISIONS				
ZONE	REV	DESCRIPTION	DATE	APPROVED
	1	INITIAL DESIGN	2011/05/23	Jiang



Note: The orientation on drawing is for reference only. (圖面組裝方向性僅供參考)

Stig Wahlstrom Elektronik AB

TITLE Hirose U.FL + 1.13L100 + FME Bulk Front mount Plug

DWG NO. 110415-07	PART NO. K129121010	UNIT mm	REV. 1
GENERAL TOLERANCES .X NA .XX NA .XXX NA ANGLES NA		SCALE 1 : 1	APPROVALS
(UNLESS OTHERWISE SPECIFIED)		SIZE A4	DRAWN BY: Jiang 2011/05/23
			CHK'D BY: Kevin 2011/05/23
		SHEET 1 of 1	APP'D BY: Jared 2011/05/23

NO	DESCRIPTION	Q'TY	DRAWN NO.
06	Nut	1	
05	Washer	1	
04	Heatshrink (Black)	1	Y0E01XX-030-B
03	FME Bulkhead Front Mount Plug	1	C29CK3F113005
02	1.13 coaxial cable (Gray)	1	
01	Hirose U.FL	1	U.FL-LP-068