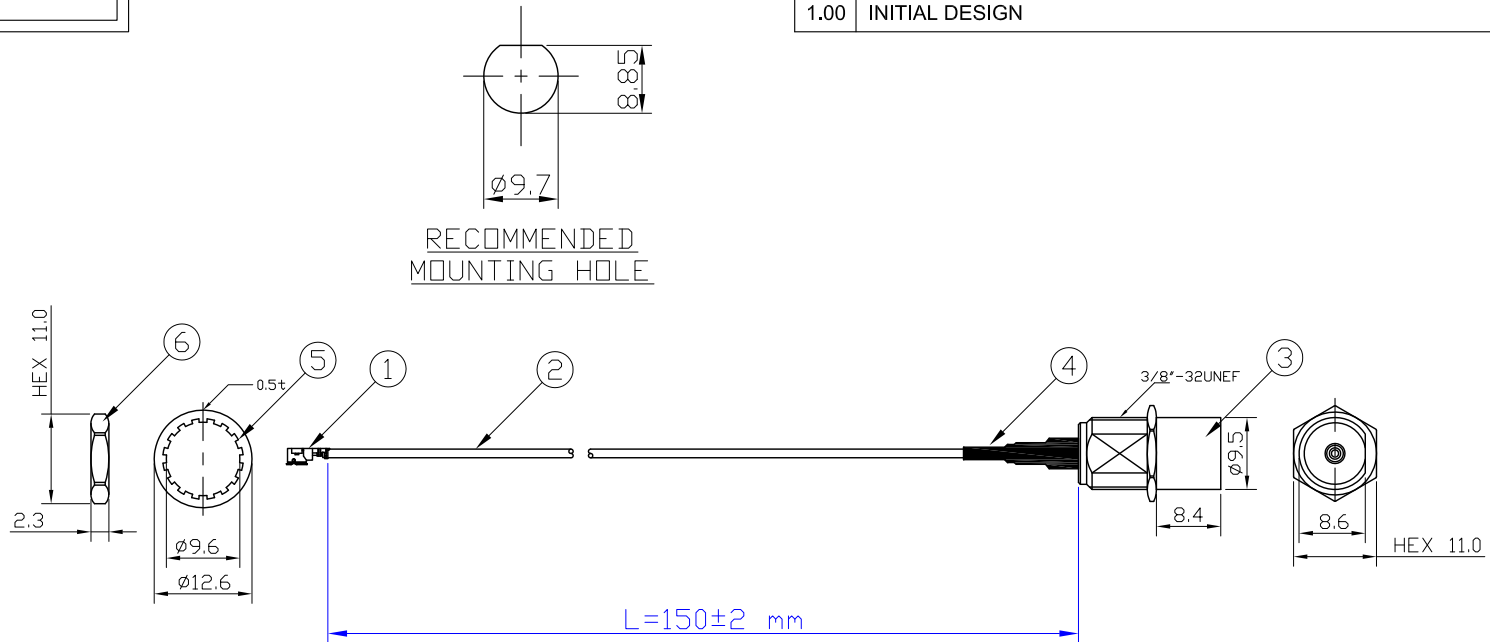


RoHS COMPLIANT

REVISIONS			
REV	DESCRIPTION	DATE	APPROVED
1.00	INITIAL DESIGN	2011/06/17	Jiang



Note: The orientation on drawing is for reference only. (圖面組裝方向性僅供參考)

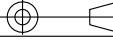
Stig Wahlstrom Elektronik AB 

TITLE Hirose U.FL + 1.13L150 + FME Bulk Front mount Plug

DWG NO. 110316-20	PART NO. K129121011	UNIT mm	REV. 1.00
----------------------	------------------------	------------	--------------

GENERAL TOLERANCES	SCALE 1 : 1	APPROVALS	DATE
--------------------	-------------	-----------	------

.X .XX .XXX ANGLES	NA NA NA NA	SIZE A4	DRAWN BY: Jiang 2011/06/17
-----------------------------	----------------------	---------	----------------------------

(UNLESS OTHERWISE SPECIFIED)		CHK'D BY: Vivian 2011/06/17
------------------------------	---	-----------------------------

SHEET 1 of 1	APP'D BY: Vivian 2011/06/17
--------------	-----------------------------

NO	DESCRIPTION	Q'TY	DRAWN NO.
06	Nut	1	
05	Washer	1	
04	Heatshrink (Black)	1	Y0E01XX-030-B
03	FME Bulkhead Front Mount Plug	1	C29CK3F113005
02	1.13 coaxial cable (Gray)	1	
01	Hirose U.FL	1	U.FL-LP-068