

Proximity-Magnet switch KRS010

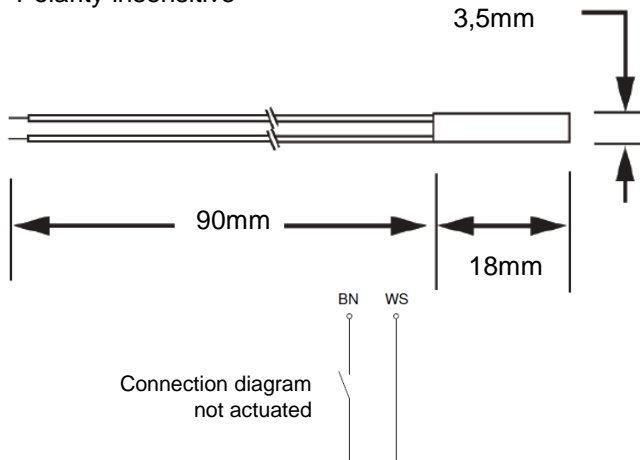
Version KRS010-AH1L08L9

This proximity switch is based on reed switch technology and has been developed for cost sensitive applications.

Depending on the actuator it reliably switches up to 40mm distance. Different cable lengths and connectors are available on request. Matching actuators (magnets) are available.

Features:

- Up to 50 Mio. switching cycles und logic level loads
- More than 20mm switching distances (depending on actuator / magnet)
- contamination proof
- Operates through non-ferrous metals
- Polarity insensitive



Other sensor types and options:

- Rectangular-, D6-, M5-, M6- and M8-Sensor housing
- Normally open and changeover switch versions
- Reedcontact available with 20 oder 50 Watt
- different cable lengths and connectors on request
- 100% customized sensors
- **Lots of different actuators / magnets available**

Technical specifications:

Technology	Reed-switch
Function	Normally open switch
Switching distances	Up to 40mm
Repeatability	< 1%

Mechanical specifications:

Housing	Plastic (black polypropylene)
design	cylindrical
Diameter max	D 3,5mm
Housing length max	15mm
Connection Conductors	90mm flex (PTFE isolated, black)

Electric specifications:

Switching power	Max. 10 W
Switching Voltage	Max. 140 VAC
Switching current	Max. 500 mA
Contact resistance	115 mΩ
Operating - / release time	0.15 ms / 0,02ms
Operating power	Not required
short-circuit proof	Yes
Inductive and capacitive load	Switch has to be protected

Environmental conditions:

Working temperature	-20...85°C
IP rating	IP 65 conform