



Blanking plug, grey

Part no.

M22-B

Article no.

216388

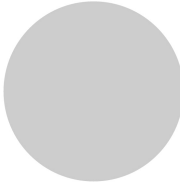


Powering Business Worldwide™

round design, IP67, IP69K

For closing off of spare mounting locations

Program

Range			RMQ-Titan (drilling dimensions 22.5 mm)
Basic function			Accessories
Accessories			General accessories
Basic function accessories			Blanking plugs
Single unit/Complete unit			Single unit
			Round style
Protection type			IP67, IP69K
Function			For closing off of spare mounting locations
Colour			
			
RAL Value			RAL 7035
Front ring			Front ring: titanium
Connection to SmartWire-DT			no

Approbationen

UL approval	Yes
CSA approval	Yes
NA Certification	Request filed for UL and CSA
Degree of Protection	UL/CSA Type 3R, 4X, 12, 13

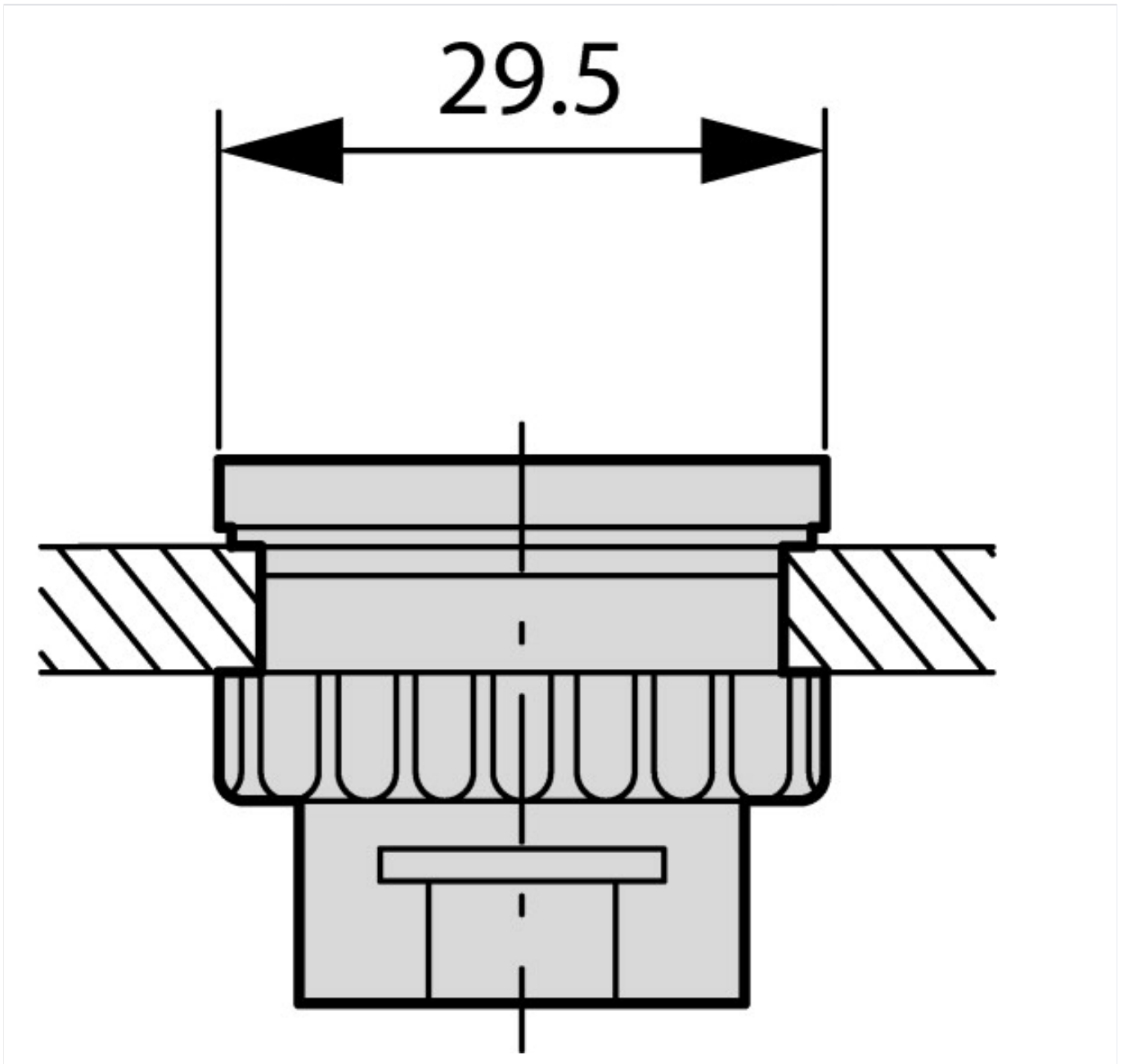
Technical data according to ETIM 4.0

Width of opening		mm	22
Material			Insulated material
Lens design			-
Hole diameter		mm	22
Height meter opening		mm	0
Color			gray

CAD-Data

Product standards CAD data: <http://eaton-moeller.partcommunity.com>

Dimensions



Additional product information (links)

IL04716002Z (AWA1160-1745) RMQ-Titan System	ftp://ftp.moeller.net/DOCUMENTATION/AWA_INSTRUCTIONS/IL04716002Z2011_03.pdf
Engineering	
Key to part numbers	ftp://ftp.moeller.net/DOCUMENTATION/PDF/GB/TYPENSCHLUESSEL_RMQ-TITAN_de.pdf
Engineering	ftp://ftp.moeller.net/DOCUMENTATION/PDF/GB/PRO_RMQTitan_D_de.pdf
Ordering example for custom complete units	ftp://ftp.moeller.net/DOCUMENTATION/PDF/GB/Bestellbeispiel_F0315_COMBINATION_de.pdf
Order form for custom complete units	ftp://ftp.moeller.net/DOCUMENTATION/PDF/GB/FORM_F0315_Combination_de.pdf