

IVS mounting rail adapter



Powering Business Worldwide™

Part no. M22-IVS

Article no. 216400

Program

Range			RMQ-Titan (drilling dimensions 22.5 mm)
Basic function			Accessories
Accessories			General accessories
Basic function accessories			IVS top-hat rail adapters
Single unit/Complete unit			Single unit
For use with			top-hat rail according to IEC/EN 60715 for front fixing
Front ring			Front ring: titanium
Connection to SmartWire-DT			no

Approbationen

UL approval	Yes
CSA approval	Yes
Product Standards	IEC/EN 60947-5; UL 508; CSA-C22.2 No. 14-05; CSA-C22.2 No. 94-91; CE marking
UL File No.	E29184
UL CCN	NKCR
CSA File No.	012528
CSA Class No.	3211-03
NA Certification	UL listed, CSA certified

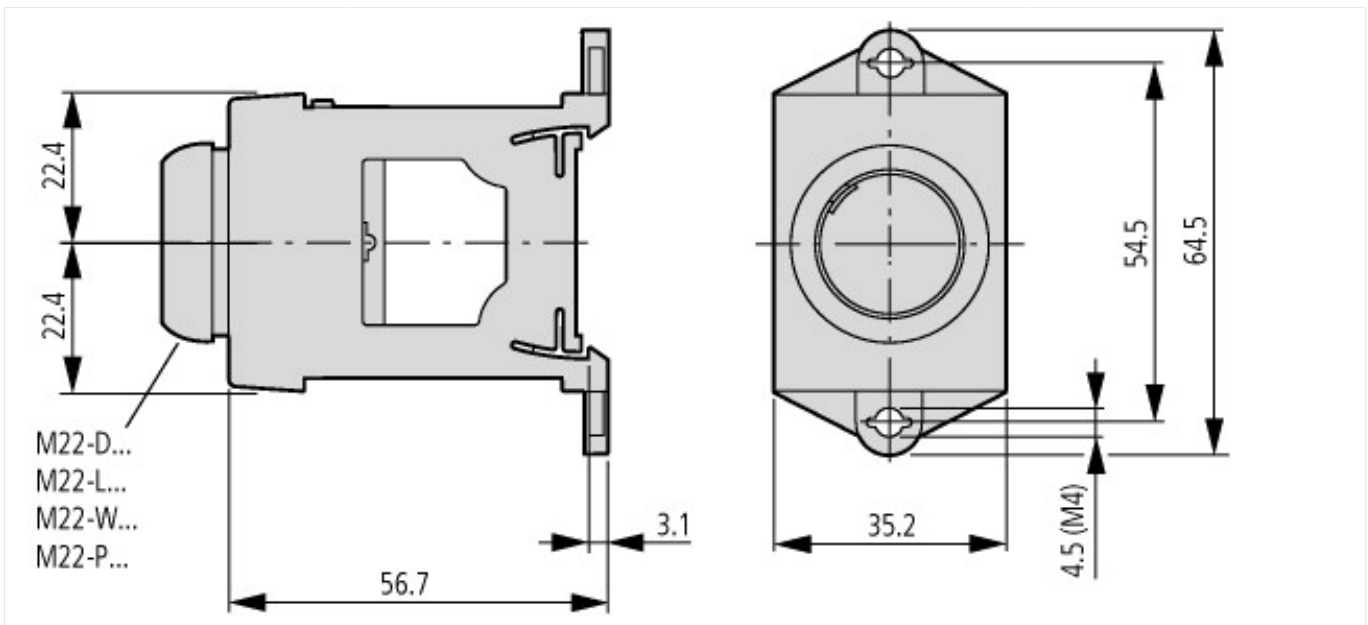
Technical data according to ETIM 4.0

Type of mechanical accessory			-
Type of electrical accessory			-

CAD-Data

Product standards CAD data: <http://eaton-moeller.partcommunity.com>

Dimensions



Additional product information (links)

IL04716002Z (AWA1160-1745) RMQ-Titan System	ftp://ftp.moeller.net/DOCUMENTATION/AWA_INSTRUCTIONS/IL04716002Z2011_03.pdf
Engineering	
Key to part numbers	ftp://ftp.moeller.net/DOCUMENTATION/PDF/GB/TYPENSCHLUESSEL_RM-Q-TITAN_de.pdf
Engineering	ftp://ftp.moeller.net/DOCUMENTATION/PDF/GB/PRO_RMQTitan_D_de.pdf
Ordering example for custom complete units	ftp://ftp.moeller.net/DOCUMENTATION/PDF/GB/Bestellbeispiel_F0315_COMBINATION_de.pdf
Order form for custom complete units	ftp://ftp.moeller.net/DOCUMENTATION/PDF/GB/Form_F0315_Combination_de.pdf

