



## Potentiometer 10k

**Part no.**

**M22-R10K**

**Article no.**

**229491**



Powering Business Worldwide™

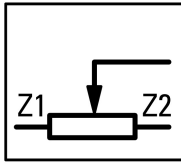
Bezel gold-plated → #274150

3 separate screw connections,  $P_{max} = 0.5\text{ W}$

Accuracy of resistance value:  $\pm 10\%$  (linear)

M22...RH with large operationing head

### Program

Basic function			Accessories
Single unit/Complete unit			Single unit
Description			3 separate screw connections, $P_{max} = 0.5\text{ W}$ Accuracy of resistance value: $\pm 10\%$ (linear)
Contact sequence			
Impedance	R	kΩ	10
Rated power	P	W	0.5
Protection type			IP66
Front ring			Front ring: titanium
Connection to SmartWire-DT			no
For use with			DILET... ETR4-70

### Approbationen

UL approval	Yes
CSA approval	Yes
Product Standards	IEC/EN 60947-5-1; UL 508; CSA-22.2 No. 14-05; CE marking
UL File No.	E29184
UL CCN	NKCR
CSA File No.	012528
CSA Class No.	3211-03
NA Certification	UL listed, CSA certified
Degree of Protection	IEC: IP 66; UL/CSA Type: 3R, 4X, 12, 13

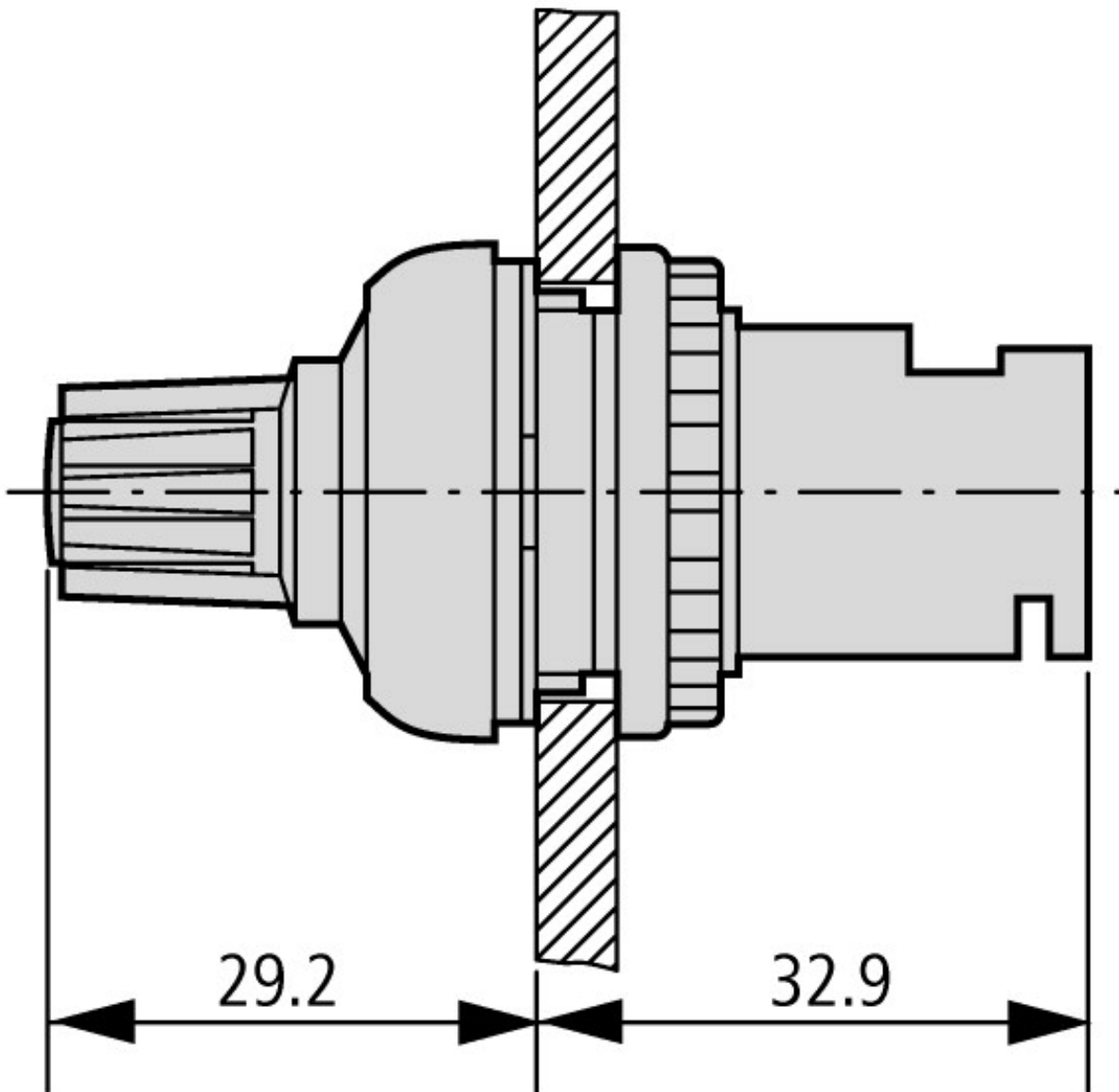
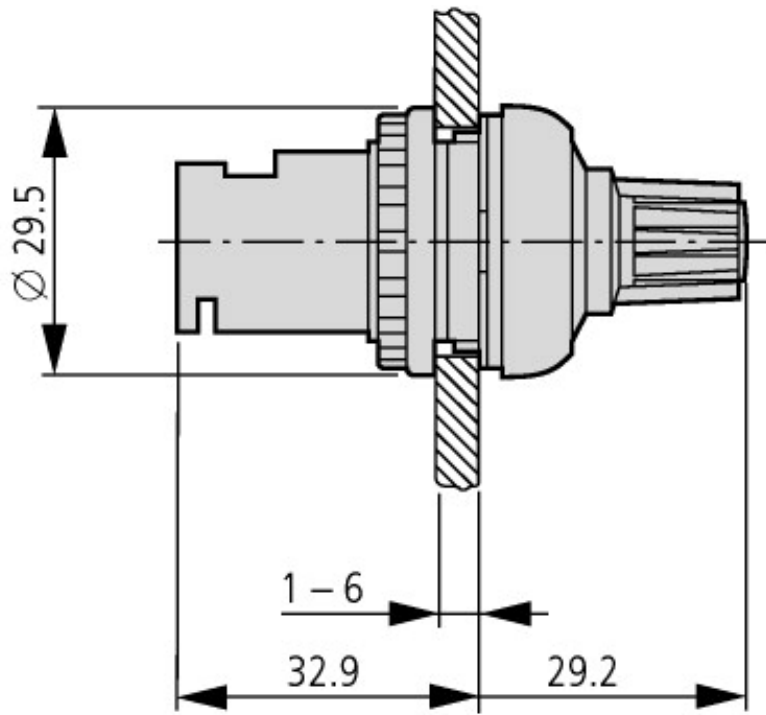
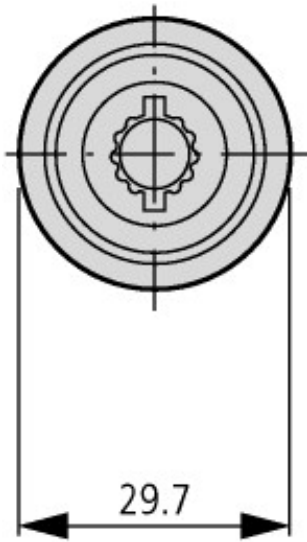
### Technical data according to ETIM 4.0

Resistor		0	10
Hole diameter		mm	22
Power consumption		W	0.5
Protection type (IP)			IP66

### CAD-Data

Product standards CAD data: <http://eaton-moeller.partcommunity.com>

### Dimensions



#### Additional product information (links)

##### Engineering

Key to part numbers

[ftp://ftp.moeller.net/DOCUMENTATION/PDF/GB/TYPENSCHLUESSEL\\_RM0-TITAN\\_de.pdf](ftp://ftp.moeller.net/DOCUMENTATION/PDF/GB/TYPENSCHLUESSEL_RM0-TITAN_de.pdf)

Engineering	<a href="ftp://ftp.moeller.net/DOCUMENTATION/PDF/GB/PRO_RMQTitan_D_de.pdf">ftp://ftp.moeller.net/DOCUMENTATION/PDF/GB/PRO_RMQTitan_D_de.pdf</a>
Ordering example for custom complete units	<a href="ftp://ftp.moeller.net/DOCUMENTATION/PDF/GB/Bestellbeispiel_F0315_COMBINATION_de.pdf">ftp://ftp.moeller.net/DOCUMENTATION/PDF/GB/Bestellbeispiel_F0315_COMBINATION_de.pdf</a>
Order form for custom complete units	<a href="ftp://ftp.moeller.net/DOCUMENTATION/PDF/GB/FORM_F0315_Combination_de.pdf">ftp://ftp.moeller.net/DOCUMENTATION/PDF/GB/FORM_F0315_Combination_de.pdf</a>