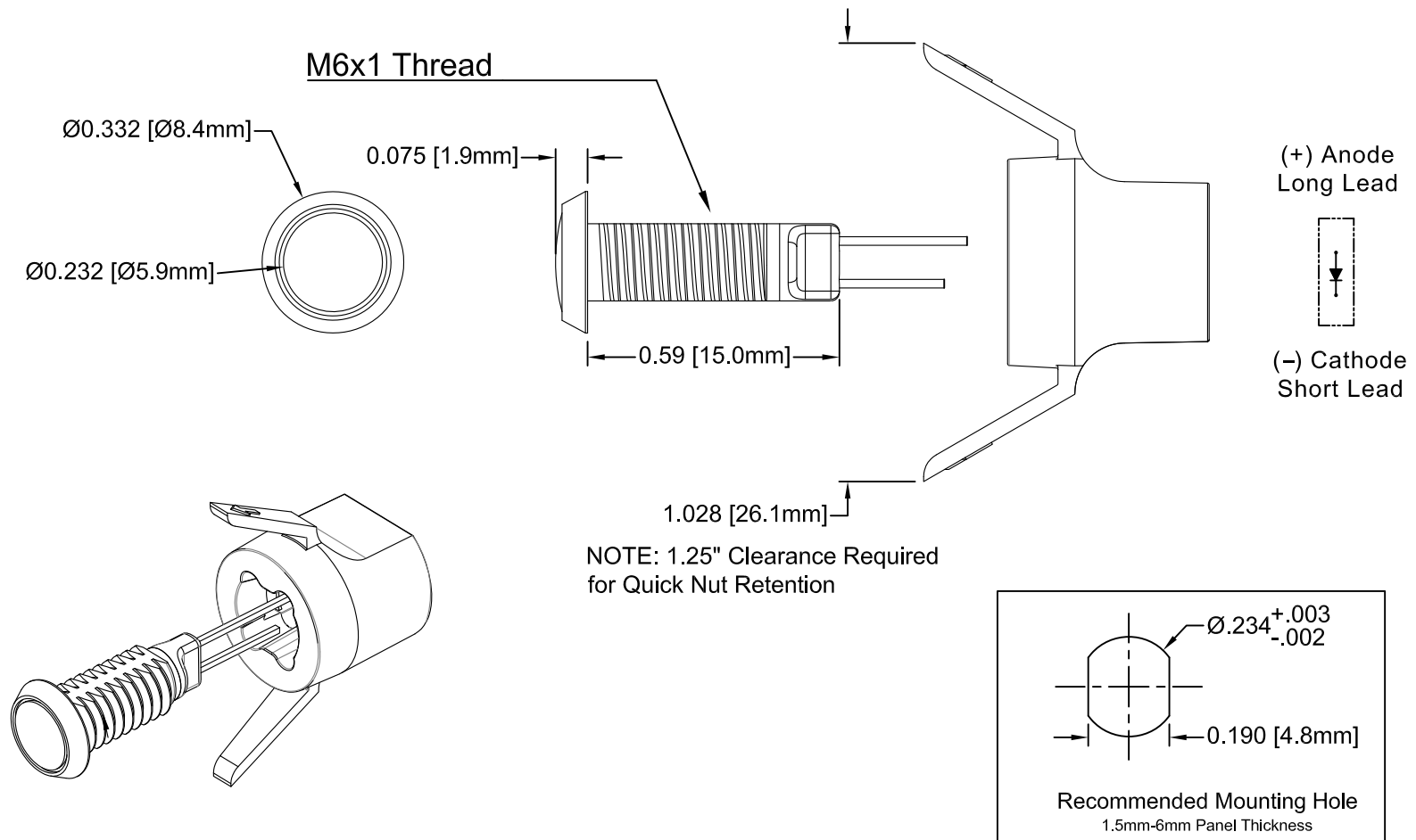


356 Series

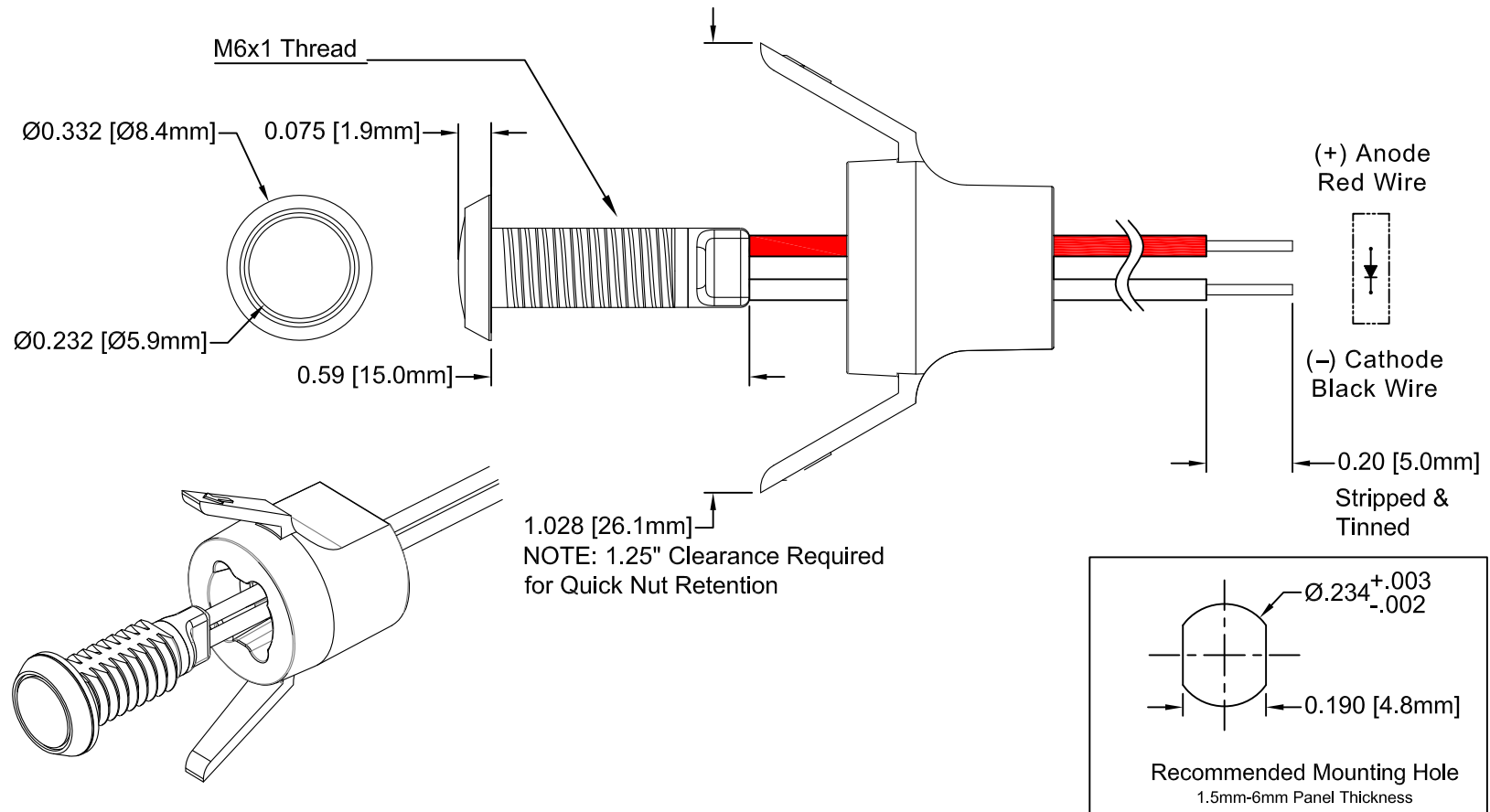


NOTES:

1. TO INSTALL, INSERT HOLDER THROUGH PANEL AND PRESS QUICK NUT ON TO HOLDER AS SHOWN. TABS WILL DEFORM FOR RETENTION
2. ROHS COMPLIANT
3. MOUNTING HARDWARE SHIPPED NON-ASSEMBLED
4. TO REMOVE, TWIST QUICK NUT 90° AND PULL

STANDARD TOLERANCE (UNLESS OTHERWISE SPECIFIED)		MARL	MARL BUSINESS PARK, ULVERSTON, UK. LA12 9BN Tel: +44 (0)1229 582 430. Web: www.leds.co.uk
DECIMALS	ANGULAR		
.X ± .1	X° ± 1°	⊕	TITLE: Quick-Mount Panel Mount Indicator
.XX ± .02			PART NO: 356 Series
.XXX ± .010			SHEET # 1 OF 3
Provisional		CAD GENERATED DOCUMENT, DO NOT MEASURE DRAWING.	

356 Series (Flying Leads version)



NOTES:

1. TO INSTALL, INSERT HOLDER THROUGH PANEL AND PRESS QUICK NUT ON TO HOLDER AS SHOWN. TABS WILL DEFORM FOR RETENTION
2. ROHS COMPLIANT
3. MOUNTING HARDWARE SHIPPED NON-ASSEMBLED
4. TO REMOVE, TWIST QUICK NUT 90° AND PULL



STANDARD TOLERANCE (UNLESS OTHERWISE SPECIFIED)		MARL	MARL BUSINESS PARK, ULVERSTON, UK. LA12 9BN Tel: +44 (0)1229 582 430. Web: www.leds.co.uk
DECIMALS	ANGULAR		
.X ± .1	X° ± 1°	⊕ □	TITLE: Quick-Mount Panel Mount Indicator
.XX ± .02			PART NO: 356 Series
.XXX ± .010			SHEET # 2 OF 3
Provisional		CAD GENERATED DOCUMENT, DO NOT MEASURE DRAWING.	

Marl Part No.	LED Part Number	Peak Wave Length λ_p (nm)	Emitted Colour	Lens Appearance	Electro-Optical Data @ 20mA		Viewing Angle	Termination
					Typ Vf (VDC)	LED Iv (mcd)		
					TYP	TYP		
356-308-04	308	610	AMBER	WHITE DIFFUSED	2.0	100	120	PINS
356-308-04-40								12IN FLYING LEADS
356-320-04	320	470	BLUE	WHITE DIFFUSED	4.0	200	120	PINS
356-320-04-40								12IN FLYING LEADS
356-314-04	314	568	GREEN	WHITE DIFFUSED	2.1	30	120	PINS
356-314-04-40								12IN FLYING LEADS
356-302-04	302	625	HE RED	WHITE DIFFUSED	2.0	30	120	PINS
356-302-04-40								12IN FLYING LEADS
356-305-04	305	645	RED	WHITE DIFFUSED	1.7	40	120	PINS
356-305-04-40								12IN FLYING LEADS
356-311-04	311	585	YELLOW	WHITE DIFFUSED	2.1	30	120	PINS
356-311-04-40								12IN FLYING LEADS

Marl Part No.	LED Part Number	Colour Temperature	Emitted Colour	Lens Appearance	Electro-Optical Data @ 20mA		Viewing Angle	Termination
					Typ Vf (VDC)	LED Iv (mcd)		
					TYP	TYP		
356-998-04	998	5000K	NEUTRAL WHITE	WHITE DIFFUSED	3.2	2500	120	PINS
356-998-04-40								12IN FLYING LEADS

ABSOLUTE MAXIMUM RATINGS (Ta = 25°C)

MAXIMUM REVERSE VOLTAGE _____ 5V
 MAXIMUM POWER DISSIPATION _____ 150 mW
 OPERATING TEMPERATURE RANGE _____ -30°C ~ 85°C
 STORAGE TEMPERATURE _____ -40°C ~ 85°C

STANDARD TOLERANCE (UNLESS OTHERWISE SPECIFIED)		 MARL BUSINESS PARK, ULVERSTON, UK. LA12 9BN Tel: +44 (0)1229 582 430. Web: www.leds.co.uk
DECIMALS	ANGULAR	
.X ±.1	X° ± 1°	
.XX ±.02		
.XXX ±.010		
<h1>Provisional</h1>		TITLE: Quick-Mount Panel Mount Indicator
		PART NO: 356 Series
		SHEET # 3 OF 3
CAD GENERATED DOCUMENT, DO NOT MEASURE DRAWING.		