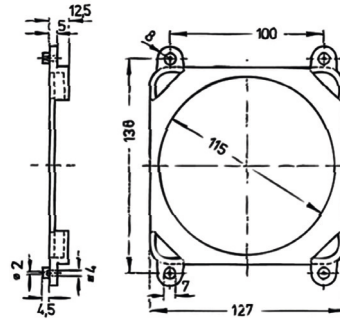


# Accessories for Filter Fans

**ebmpapst**

Vibration Absorber 138 x 127 mm



---

## FEATURES:

Vibration absorber for 119 × 119 mm fans

The fan is pressed into the frame which is then screwed fast in the apparatus box

Material: Nylon

---

## SPECIFICATION:

Dimensions	138 x 127 mm
Suitable for fan	119 x 119 mm

---

## PRODUCT RANGE:

Art. Nr.

**02678-2-2945**